

Relax. It's an Altrex.

**NEW!**  
**BISOMAC 210 Traction Hoist**



BISOMAC 210 TRACTION HOIST FOR MHB

Altrex received from her partner in Japan, NIHON BISOH, the exclusive rights for distributing the new CE-version of the BISOMAC 210 Traction Hoist

[www.altrex.com](http://www.altrex.com)



# BISOMAC 210 Traction Hoist for A

**BISOMAC 210 Traction Hoist: for Altrex Modular Suspended Platform System (MHB).** Developed with NIHON BISCO for the new era of ultra-high-rise buildings. Easy to maintain and highly durable, this full-powered, full-featured hoist has the exclusive rights for distributing the new CE-version of the BISOMAC 210 Traction Hoist.

**3Q: Quality, Quiet, Durable**

## Quality

### • Safety

- CE approved
- Designed to assure idiotproof operation and prevent malfunctions
- Integrated devices include: Overload Device, Slack Rope Device, Upper/ultimate Limit, Rope End Limit (Optional: Overspeed Device)

- Long lifetime of all the components

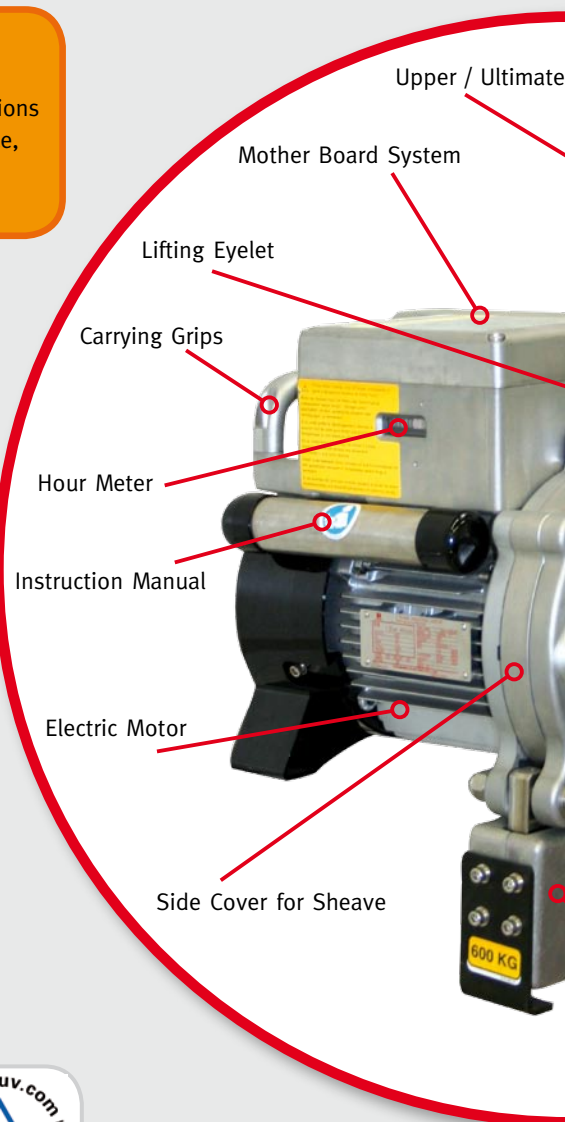
### Exclusive patented Sheave System

### • Patented Sheave System

- Accuracy of the speed
- Also suitable for ultra-high-rise buildings
- Made of "Samurai" steel

### • Highly durable: long lifetime of all the components

- High quality of the parts in- and outside of the hoist
- Strong aluminium casting
- Many components from stainless steel



## Quiet

### • Quiet

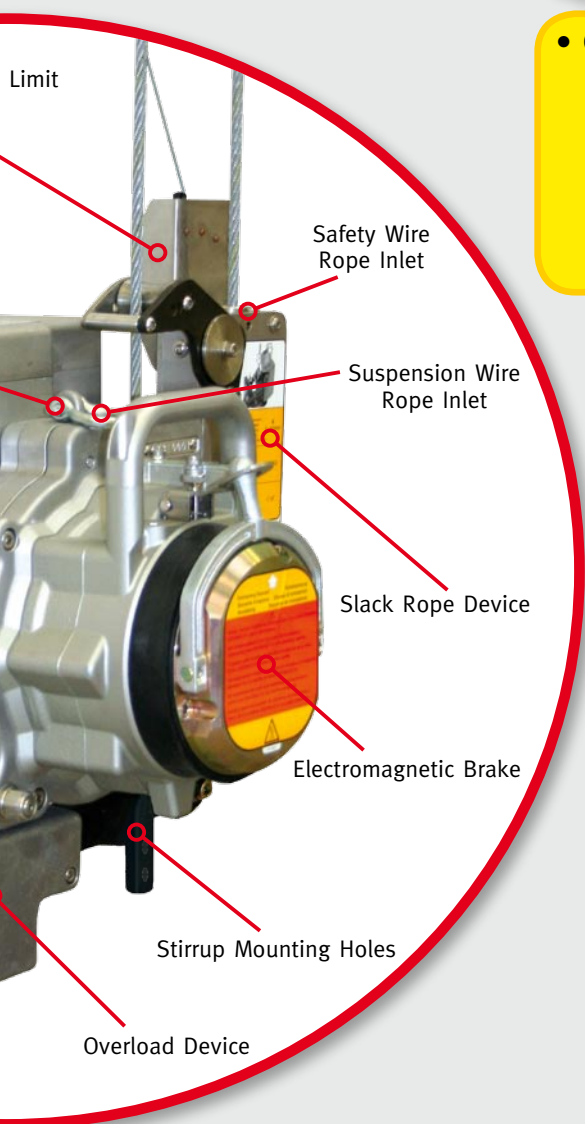
- 50% less noise comparing to other hoists
- Important by working on buildings
- Quietness is a proof of the quality

**Relax. It's an Altrex.**

# Altrex Suspended Platform (MHB)

Altrex's exclusive advanced technology, the new BISOMAC 210 Traction Hoist is the next-generation traction hoist. This traction hoist is remarkably compact and lightweight. Altrex got from her partner in Japan, NIHON BISOH, the

## Quiet and Quick



Other hoists  
Building where people work inside  
accuracy

## Quick

### • Quick and user-friendly handling

- Remarkably compact and lightweight
- Hoist and Central control box can be handled simple
- Central controlbox operates all both hoists
- Well balanced Two Ergonomic Carrying Grips for easy handling
- Wire rope inlet is easy without tools needed
- Easy storage because of balanced design
- Manual is very clear

### 200 m Non-Stop

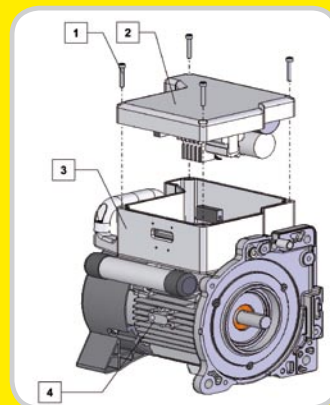
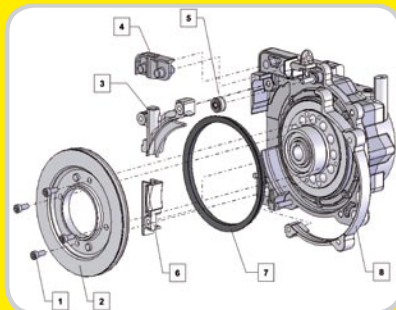
### • Quick performance

- Very capable of absorbing Voltage Drops Assuring Smooth, Steady Lifting for Skyscrapers
- 200 m non-stop: due to the perfect cooling system for the motor

### Annual maintenance in 45 minutes!

### • Quick and less maintenance

- Substantial less components
- Only few components to be checked for wear and tear
- Designed for easy and quick assembly and disassembly from one side
- Mother Board System with all electrical components is easy removable by removing only 4 bolts



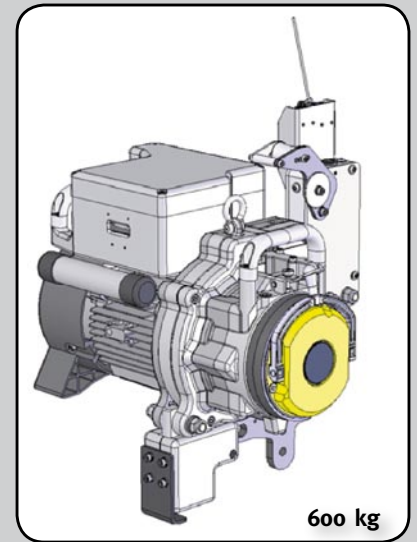
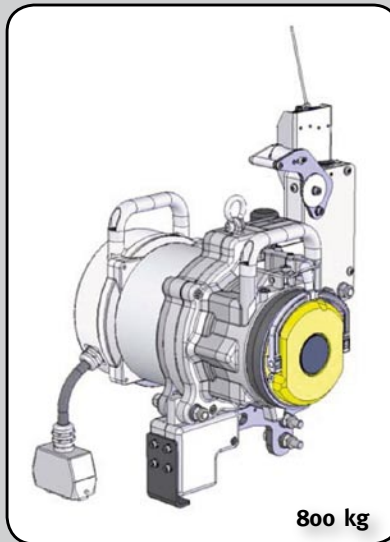
NIHON BISOH





**BISOMAC 210 Traction Hoist Specifications**

Rate load	800 kg	600 kg
Lifting speed	8.5 m/min.	8.5 m/min.
Electric motor	1.5 kW	1.5 kW
Voltage	400 V	230 V
Phase	3-phase, 50 Hz	1-phase, 50 Hz
Diameter	9-9.5 mm	9-9.5 mm
Control	Central	Central
Dimensions	504 x 386 x 377 mm	504 x 386 x 455 mm
Weight	54 kg	56.5 kg



**Perfect partnership Altrex and NIHON BISOH!**



**Fits on both stirrups**



**NIHON BISOH** **B V E**  
Building Value Engineering

- BISOMAC 210: developed by NIHON BISOH
- The biggest rental company of the world with over 10.000 hoists
- Works with Altrex Modular Suspended Platform System
- Produces already for over 40 years high quality Traction Hoists
- Proved system of new BISOMAC 210 with Altrex suspended platforms (MHB): hoists already in use in Japan and USA. Now also in Europe!

**Relax. It's an Altrex.**

[www.altrex.com](http://www.altrex.com)

