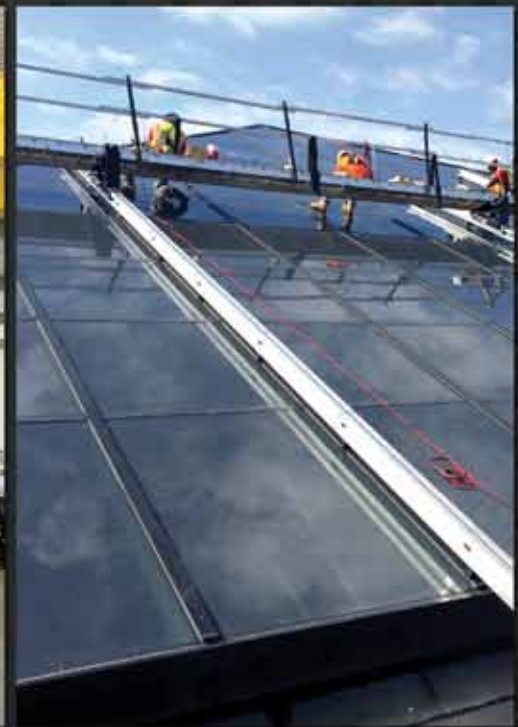


ReechCraft™ **PowerMAST™**

Unmatched **PORTABILITY** and **SIMPLICITY**

Quickly Assembled • No-Tools Mast Connection System • 1500 lb Lift Capacity to 200+ ft



ReechCraft™ PowerMAST™

The PowerMast offers unmatched portability and simplicity for a wide variety of wall access needs up to 200+ feet!

SAFETY

- Complies with safety standards
- Works with swing stages and walkboards
- Freestanding base option

ULTRA LIGHTWEIGHT & PORTABLE

- Quick assembly
- 1,500 lbs capacity
- Fits in the back of a truck or van

SIMPLICITY

- No electronics
- No hydraulics
- No batteries

MID TO HIGH ACCESS NEEDS

The PowerMast is stable at any height up to 200+ ft.

COMPACT DESIGN

The lightweight, portable and compact design allows for easy setup at any job site.

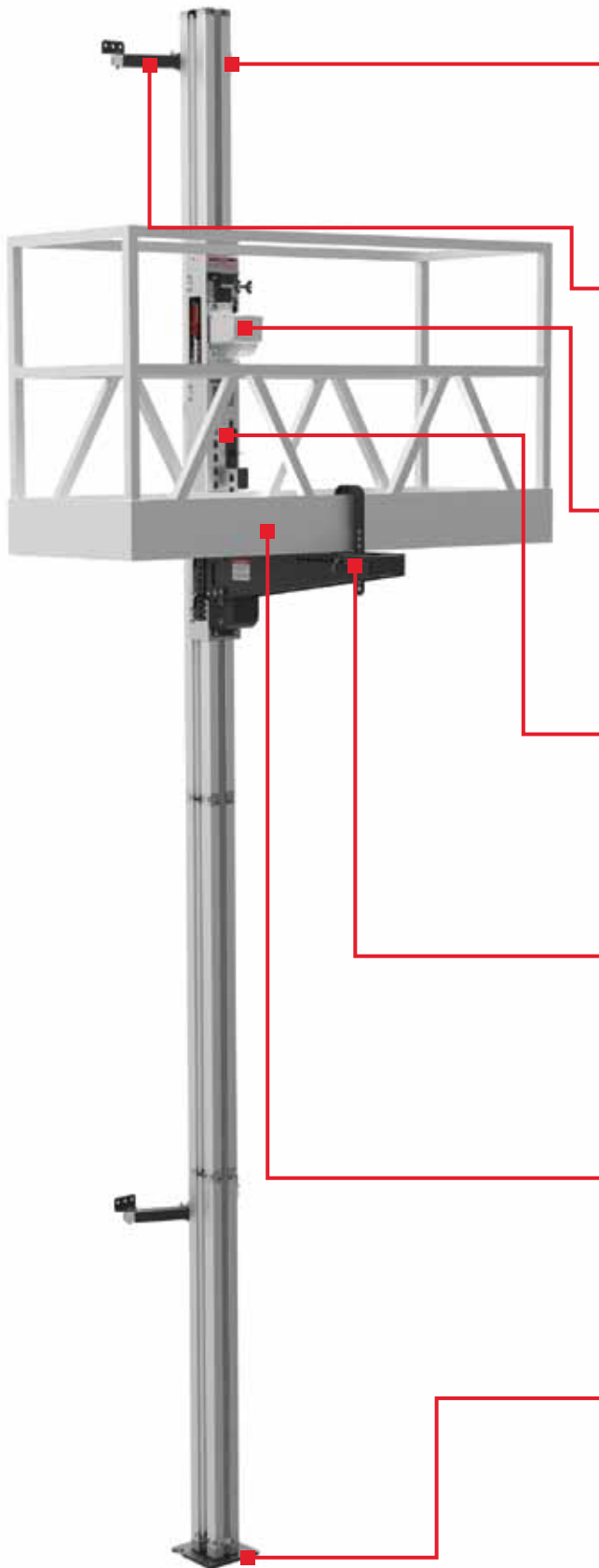
1500 LB LIFT CAPACITY

The PowerMast is ground supported and has a lift capacity of up to 1500 lbs per twin system.

TIED SYSTEM SPECIFICATIONS

DESCRIPTION	SPECIFICATION
Platform Support Dimensions (Twin)	Accepts up to 30 in. Wide Platform Deck
Minimum/Maximum Platform Length (Twin)	Any Length within 1500 lbs System Capacity
Basket Dimension (Single)	30 in. x 6.5 ft
Maximum Height	200+ ft
Maximum Load Capacity Twin Mast	1500 lbs (750 lbs per Mast)
Tie Spacing	15 ft
Climbing Speed	Up to 20 FPM (Depends on Load and Drill Size)
Drive System	120:1 Clutch Protected Transmission
Operating System	1/2 in. 8 amp Min Drill Motor
Required Voltage	110 VAC Single Phase
Safety Devices	Drop/Stop Lock Pawl, Overload Clutch, Overspeed
Climbing Unit Weight	65 lbs
5 ft Mast Weight	32 lbs
32 in. Mast Weight	19 lbs
Tie Weight	7 lbs
Tie Pullout Force	750 lbs per Tie
Mast Section	5 in. x 6 in. Aluminum with Galvanized Steel Track
Mast Connection Type	Interference Locking Cam
Base Dimension	10 in. x 10 in. Steel/Rubber Plate
Total Weight on Base Plate	2150 lbs
Surface Area of Base Plate	100 sq in.
Surface Pressure from Base	21.5 psi (2150 lbs/100 sq in.)

Portability Redefined.



TOOLS-FREE MAST CONNECTION

The PowerMast features a quick, tools-free connection to ensure efficiency and safety while stacking masts. Each mast includes a redundant locking feature that requires each mast connection to be locked in place before raising the climbing unit.



ADJUSTABLE TIE

The PowerMast Adjustable Tie provides a wide variety of attachment options for the PowerMast system. Bring the mast 6 in. to 16 in. away from the wall with this bracket (extra extension tubes can be made to extend further).



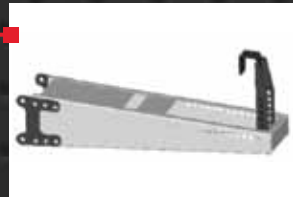
DRILL OPERATION

ReechCraft's exclusive, easy-to-use drill operation features a durable gearbox that eliminates the use of electrical components and keeps the system lightweight.



CLIMBING UNIT

The PowerMast Climbing Unit features a gearbox with overload clutch, overspeed break and drop stop lever.



PLATFORM SUPPORT

The PowerMast Platform Support fastens to the climbing unit with four quick locking pins. It is adjustable in order to accommodate most platforms and rails systems.



EASY-TO-ATTACH PLATFORM AND BASKET

Compatible with up to 30 in. modular deck or railed walkboards. The 6 ft Platform Basket can fit two people comfortably, is lightweight, has easy access and works great as a freestanding option.



BASE FOOT

The PowerMast Base Foot uses the same quick connection as the masts, while providing a bottom stop for the climbing unit. This base also can be anchored to the ground surface.

FREESTANDING SYSTEM SPECIFICATIONS

FEATURES

- Can be used with a single 2 m platform
- Use when unable to tie to a wall
- Single, dual or triple mast configurations
- Work up to 52 ft indoors



ANSI A92.9

Note: Twin system shown at maximum outdoor working height of 33 ft.

DESCRIPTION	SPECIFICATION
Platform Support Dimensions (Twin)	Accepts up to 30 in. Wide Platform Deck
Minimum/Maximum Platform Length (Twin)	Any Length within 1500 lbs System Capacity
Basket Dimension (Single)	30 in. x 6.5 ft
Maximum Platform Height (Tied)	200+ ft
Maximum Height (Untied Indoor)	46 ft (Platform) - 52 ft (Working)
Maximum Height (Untied Outdoor)	27 ft (Platform) - 33 ft (Working)
Maximum Load Capacity Twin Mast	1500 lbs (750 lbs per Mast)
Maximum Tie Spacing	18 ft
Maximum Climbing Speed	40 FPM
Drive System	120:1 Clutch Protected Transmission
Operating System	1/2 in. 8 amp Min Drill Motor
Required Voltage	110 VAC Single Phase
Safety Devices	Drop/Stop Lock Pawl, Overload Clutch, Overspeed Brake
Climbing Unit Weight	65 lbs
5 ft Mast Weight	32 lbs
32 in. Mast Weight	19 lbs
Tie Weight	7 lbs
Tie Pullout Force	750 lbs per Anchor
Mast Section	5 in. x 6 in. Aluminum with Galvanized Steel Track
Mast Connection Type	Interference Locking Cam
Base Dimension	10 in. x 10 in. Steel/Rubber Plate
Total Weight on Base Plate	2150 lbs
Surface Area of Base Plate	100 sq in.
Surface Pressure from Base	21.5 psi (2150 lbs/100 sq in.)



QUICK ATTACHMENT

Four quick mast attachment locations.



SWIVELING OUTRIGGERS

Outriggers are adjustable.



CASTERS

Casters for easy positioning indoors.