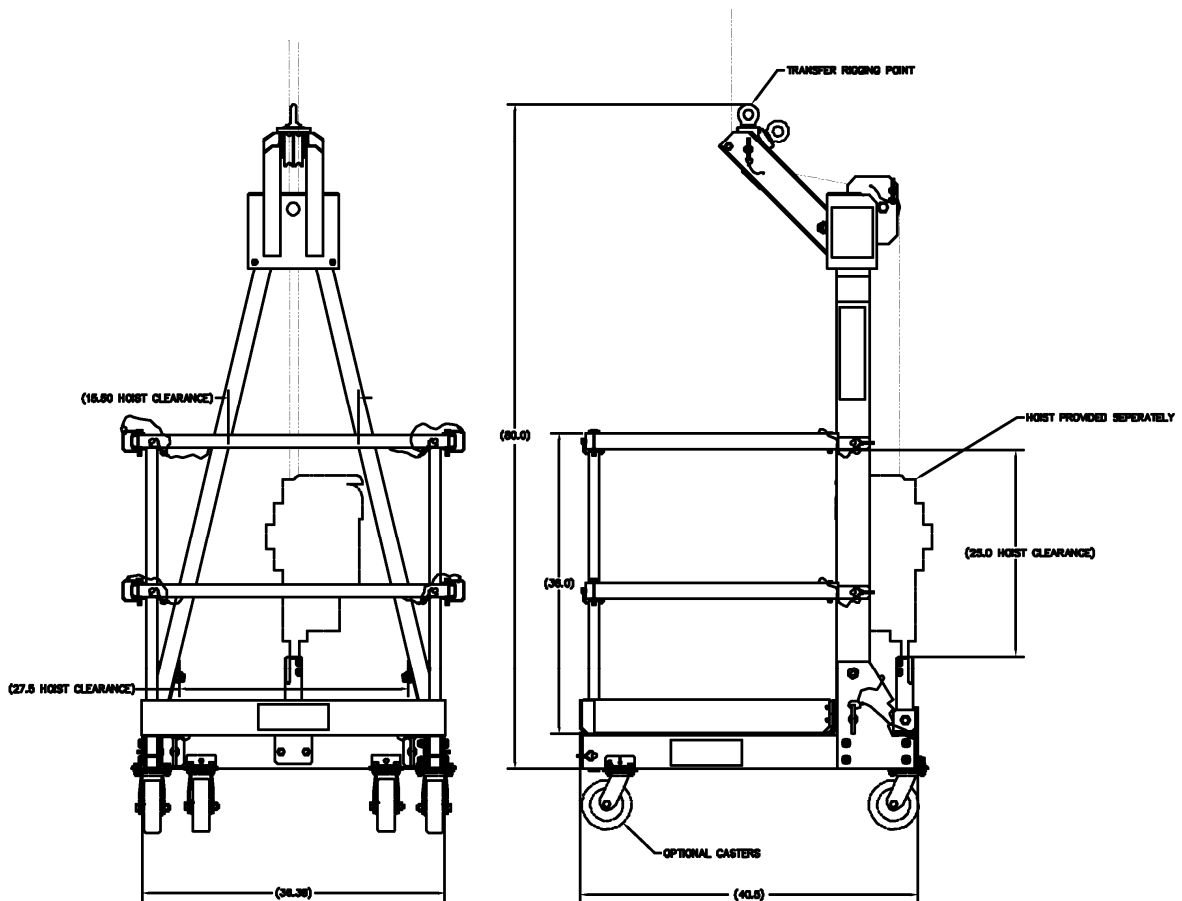


Part number: 8-0124
Rated Capacity: 750 lbs. without flydecks, 500 lbs. with flydecks
Max. Hoist Rating: 1000 lbs.
Description: Workcage: Collapsible; PC
Unit Weight: 150 lbs. without flydecks--250 lbs with flydecks

Optional Equipment

- p/n 700934-2 Flydeck Assy.:WC; Power Climber®
- p/n 701037-1 Face Rollers
- p/n A-10234-1 Roller Bumpers; mod
- p/n 700907-3 Caster Assy.;Workcage;PC



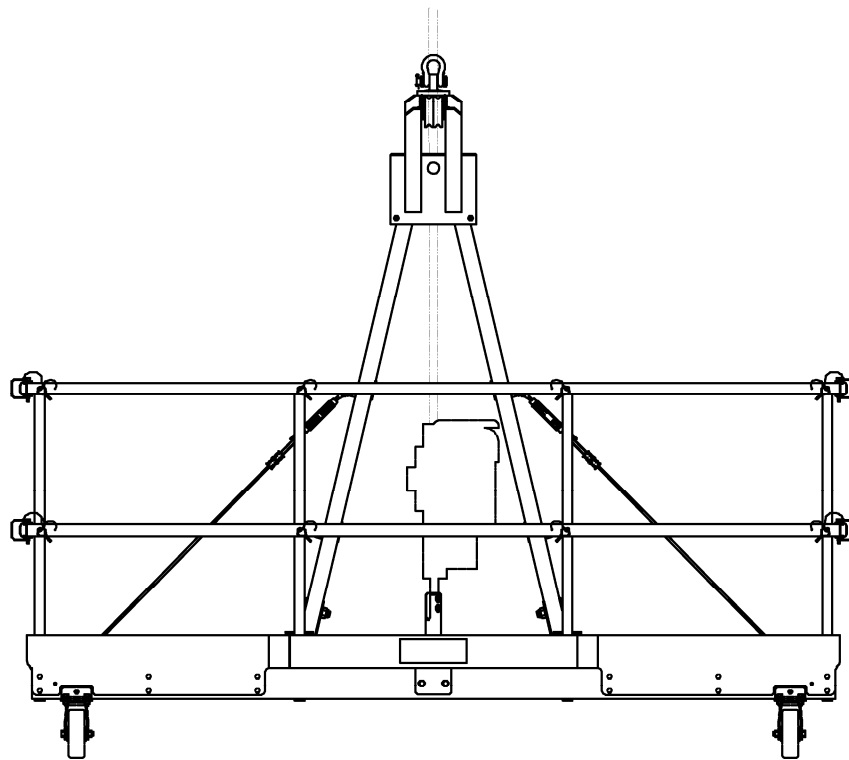
Power Climber®
365 Upland Drive
Tukwila, WA 98188 USA

Phone: 800-560-2546 / Fax 206-575-2535
E-mail: Powerclimber@safeworks.com
Internet: <http://powerclimber.com>

SafeWorks®, LLC
© 2003

Part number: 8-0124
Rated Capacity: 750 lbs. without flydecks, 500 lbs. with flydecks
Max. Hoist Rating: 1000 lbs.
Description: Workcage: Collapsible; PC
Unit Weight: 150 lbs. without flydecks--250 lbs with flydecks

Shown with flydecks



The Collapsible Workcage from Power Climber® is a lightweight, full size cage that disassembles with no tools, to pass through an 18 inch circular opening. Now one cage offers the load rating and deck space of a full size cage and the compact size and easy disassembly of a restricted access cage.

Power Climber®
365 Upland Drive
Tukwila, WA 98188 USA

Phone: 800-560-2546 / Fax 206-575-2535
E-mail: Powerclimber@safeworks.com
Internet: <http://powerclimber.com>

SafeWorks®, LLC
© 2003