

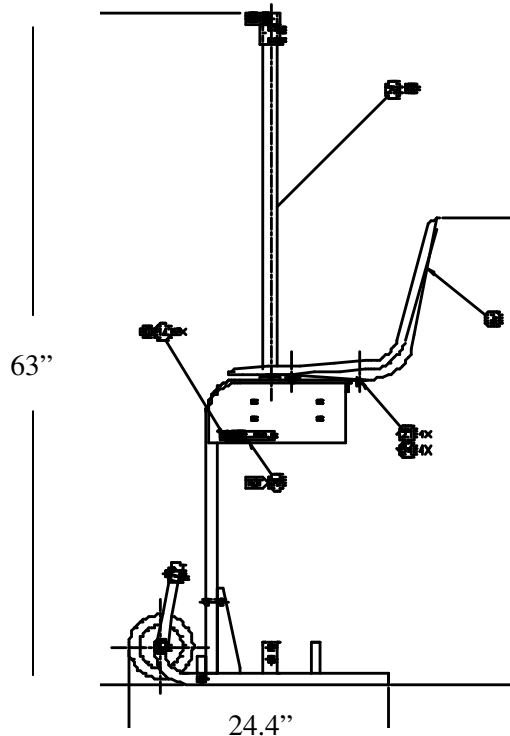


P/N 9-73, Bosun Chair

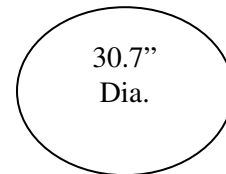
Part number: 9-73
Rated Capacity: 250 lb. (one person)
Weight without hoist: 38 lbs.

DIMENSIONS:

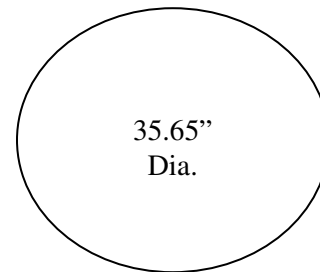
From base of chair to top of mast: 63" (5'3")
From outside of castor to back of seat: 24.4"
From edge to edge on seat (width): 18.7" (*with the foot pegs folded up, this is the smallest width*)
From tip to tip on foot pegs when folded down (width): 26"



Minimum Access Dimensions



Foot Pegs Folded Up



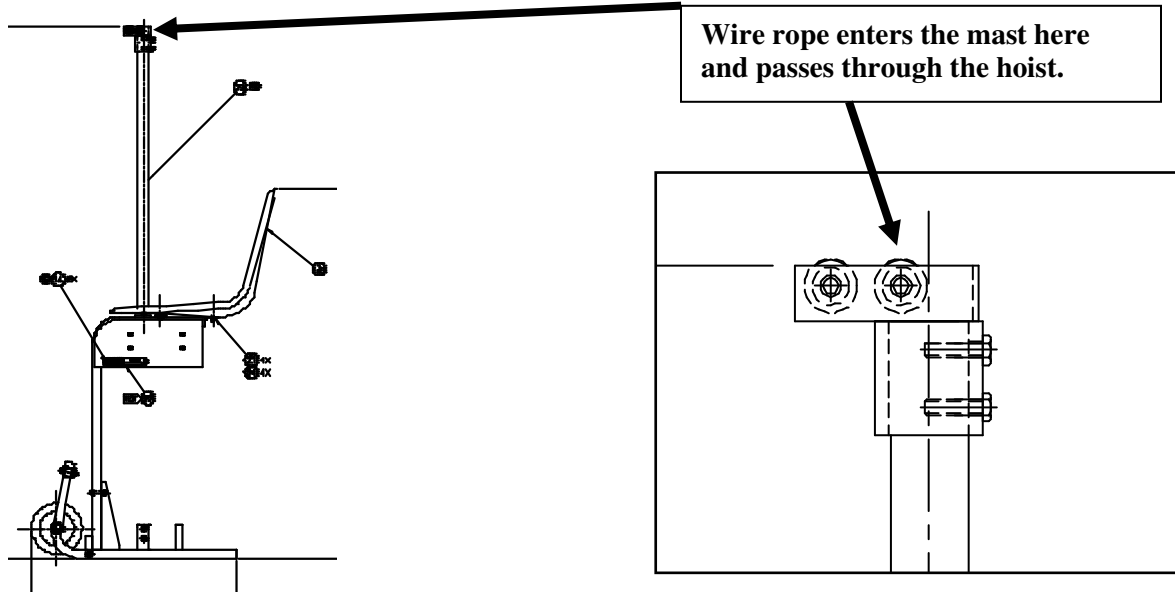
Foot Pegs Folded Down

Power Climber®
365 Upland Drive
Seattle, WA 98188 USA

Phone: 1-800-560-2546
E-mail: customerservice@safeworks.com
Internet: www.PowerClimber.com

SafeWorks®, LLC
© 2011

THIS DATA SHEET AND ALL REPRODUCTIONS ARE THE PROPERTY OF POWER CLIMBER®. ALL DIMENSIONS AND FIGURES ARE SHOWN FOR GENERAL INFORMATION ONLY AND SHOULD BE CONFIRMED BY POWER CLIMBER® BEFORE BEING USED FOR DESIGN OR CONSTRUCTION PURPOSES. ALL INFORMATION IS SUBJECT TO CHANGE WITHOUT NOTICE. POWER CLIMBER® IS A DIVISION OF SAFEWORKS, ® LLC.

**NOTE:**

The 9-73 Bosun Chair has two rollers at the top of the mast. It was designed this way with more than one hoist in mind. The only current hoists that we use in this chair are the PC1 and Astro 85 Series hoists. When using these hoists, only one of the rollers will be engaged. The hoist mounts directly below the seat of the Bosun Chair. The wire rope enters at the top of the mast between the roller and the inside of the mast tube. The space between the two rollers is designed for a secondary wire rope on a different hoist. At all times the wire rope will enter the top of the mast in a straight vertical alignment, there is no reason to bend the wire rope or have it change directions at any time. As the wire rope leaves the hoist it should move downward in a straight vertical movement through the space created on the bottom of the chair.

INSTALLATION OF HOIST:

The Bosun Chair is only designed for use with the PC1 and Astro 85 series hoists. Insert the hoist into the bottom portion of the frame and connect with two Grade 5 bolts. Ensure the wire rope inlet guide on the hoist is directly below the exit hole of the mast going through the seat.