

WHEN WELDING FROM SUSPENDED SCAFFOLDS, READ, UNDERSTAND AND COMPLY WITH OSHA STANDARD 1926.451(f)(17)

1926.451(f)(17)(i)

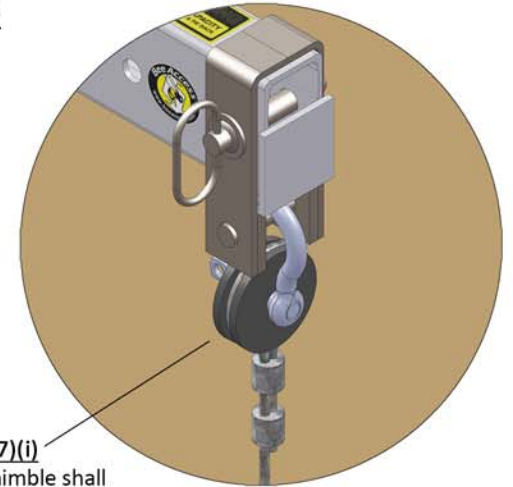
Excess suspension wire rope and any additional independent lines shall be insulated from grounding.

Parapet Clamps are shown, but a variety of rigging equipment can be used. Consult your supplier.



Insulated Thimble Adapter Assy.

TIEBACK CABLE



DETAIL A

1926.451(f)(17)(i)

An insulated thimble shall be used to attach each suspension wire rope to its hanging support.

1926.451(f)(17)(ii)

The suspension wire rope shall be covered with insulating material extending at least 4 feet (1.2 m) above the hoist.

1926.451(f)(17)(iii)

Each hoist shall be covered with insulated protective covers.

1926.451(f)(17)(ii)

If there is a tail line below the hoist, it shall be insulated to prevent contact with the platform.

1926.451(f)(17)(vi)

An active welding rod or uninsulated welding lead shall not be allowed to contact the scaffold or its suspension system.

NOTE: use roller bumpers with insulating properties.

1926.451(f)(17)(ii)

The portion of the tail line that hangs free below the scaffold shall be guided or retained, or both, so that it does not become grounded.

1926.451(f)(17)(v)

If the scaffold grounding lead is disconnected at any time, the welding machine shall be shut off.

NOTE: gasoline or diesel powered welding machines are NOT allowed on the platform.

1926.451(f)(17)(iv)

In addition to a work lead attachment required by the welding process, a grounding conductor shall be connected from the scaffold to the structure.

- The 934200 Platform Welding Kit includes:
- (2) Insulated Thimble (for suspension wire rope)
 - (2) Insulated Thimble Adapter Assy. (for tieback)
 - (2) Bisomac210 Protective Hoist Cover
 - (4) Wire Rope Insulating Tube
 - (1) Grounding Conductor Clamp

The information contained in this drawing is the sole property of Bee Access Products. Any reproduction in part or whole without the written permission of Bee Access Products is strictly prohibited.



Welding Kit, Platform w/Bisomac Covers

Scale: Do not scale drawing.
 Weight:
 Approvals By: Date:
 Drawn: SBS 02-23-15

Product Line/Project:
Platform
 Part No. 934200
 REV. 1
 Sheet