

143-600 18" ROUND WORKBASKET
143-610 24" ROUND WORKBASKET
143-620 16" ROUND WORKBASKET
143-630 22" ROUND WORKBASKET
INSTRUCTION AND PARTS MANUAL



AMERICAN SCAFFOLDING
7161 EAGLE CREEK ROAD
CINCINNATI, OHIO 45247
(513) 353-1181

All product illustrations and specifications are based on information available at the time of publication. Because of a continuing policy of product improvement and a desire to provide better consumer value Lisbon Hoist, Inc. reserves the right to make changes without notice or obligation.

MODIFIED 01/25/2011

SPECIFICATIONS

THE ROUND WORKBASKETS ARE CONSTRUCTED OF STEEL AND POWDER COATED. THE BASKET LOAD CAPACITY IS 500 POUNDS WITH A SAFETY FACTOR OF 4, BASED UPON THE MATERIALS USED. THE ROUND WORKBASKETS ARE DESIGNED FOR ONE PERSON.

WARNING!!!!

1. READ AND UNDERSTAND ALL DIRECTIONS PERTAINING TO THE EQUIPMENT BEING USED.
2. USE OF THIS EQUIPMENT IS UNSAFE AND UNLAWFUL WITHOUT PROPER FALL PROTECTION EQUIPMENT BEING PROVIDED BY YOU AND USED IN ACCORDANCE WITH THE REQUIREMENTS OF OSHA.
3. DO NOT MODIFY THE ROUND WORKBASKET! THE ROUND WORKBASKET CAN ONLY BE MODIFIED BY THE FACTORY. CONSULT FACTORY FOR ANY CHANGES OR MODIFICATIONS.
4. DO NOT STAND ON THE HANDRAILS OR MIDRAILS AT ANY TIME!
5. USE CAUTION WHEN DESCENDING OR ASCENDING NOT TO GET CAUGHT ON LEDGES OR OBSTRUCTIONS, AS THIS WILL DAMAGE THE ROUND WORKBASKET.
6. ONLY ONE PERSON MAY OCCUPY THE ROUND WORKBASKET.

OPERATION

1. INSTALL ROUND WORKBASKET UNDER TRIPOD.
2. ATTACH CARABINER FROM END OF HOIST CABLE TO TOP OF ROUND WORKBASKET HOLE. (1-1/2" DIAMETER)

3. OPEN DOOR BY REMOVING THE 3/8" DIAMETER DETENT RING PIN (4) FROM THE DOOR AND BASKET. (SEE FIGURE-1)



FIGURE-1

4. ROTATE DOOR OPEN AND ENTER THE ROUND WORKBASKET.
5. ONCE IN THE ROUND WORKBASKET ROTATE DOOR CLOSED AND INSERT 3/8" DIAMETER DETENT RING PIN (4) INTO HOLE TO SECURE DOOR. (SEE FIGURE-2)



FIGURE-2

6. THE ROUND WORKBASKET MAY NOW BE LIFTED BY THE HOIST TO ENTER THE OPENING.

INSPECTION

INSPECT ROUND WORKBASKET BEFORE EACH USE. CHECK THAT WORKBASKET IS NOT DAMAGED OR DEFECTIVE IN ANY WAY. **IF DAMAGED OR DEFECTIVE, MARK OR TAG AS DEFECTIVE OR DAMAGED AND REMOVE FROM THE JOBSITE! DO NOT USE!**

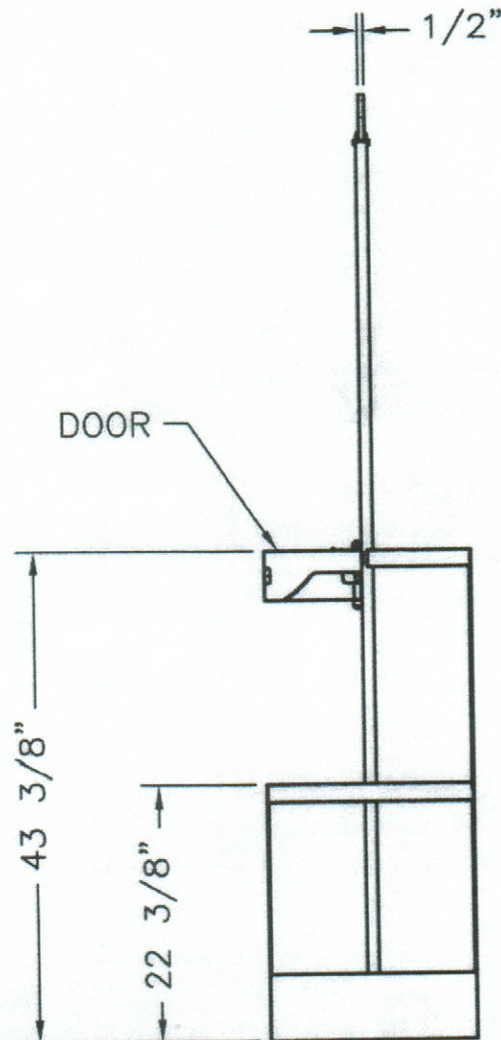
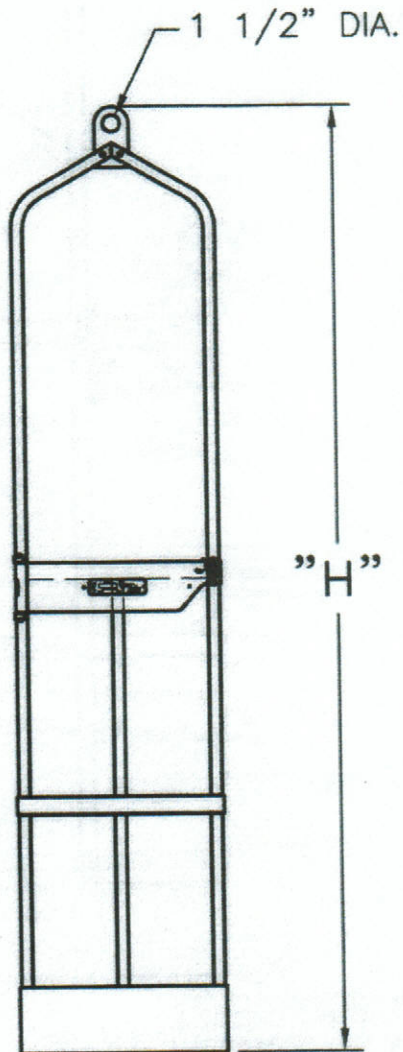
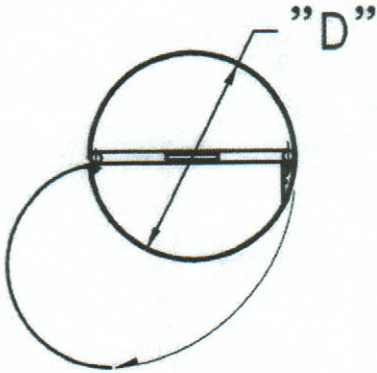
143-600 18" ROUND WORKBASKET - 143-610 24" ROUND WORKBASKET
143-620 16" ROUND WORKBASKET - 143-630 22" ROUND WORKBASKET

<u>ITEM NO.</u>	<u>PART NUMBER</u>	<u>DESCRIPTION</u>	<u>QTY.</u>
1	143-601-01	18" ROUND BASKET WELDMENT	1
	143-611-01	24" ROUND BASKET WELDMENT	1
	143-621-01	16" ROUND BASKET WELDMENT	1
	143-631-01	22" ROUND BASKET WELDMENT	1
2	143-603-01	18" ROUND BASKET DOOR WELDMENT	1
	143-612-01	24" ROUND BASKET DOOR WELDMENT	1
	143-632-01	22" ROUND BASKET DOOR WELDMENT	1
	143-622-01	16" ROUND BASKET DOOR WELDMENT	1
3	HHCS3/8CX96G5	3/8"-16 x 6" LG. HEX HEAD CAP SCREW, GRADE 5	1
4	A62B-600-1L	3/8" x 1-1/2" DETENT RING PIN & LANYARD	1
5	BHCS10FX4	#10-32 x 1/4" LG. BUTTON HEAD CAP SCREW	1
6	HRLN3/8C	3/8"-16 HEX REVERSIBLE LOCK NUT	1
7	TT-604	THRUST BEARING 3/8" ID. x 5/8" OD. x 1/16" THICK	2
8	151-001-04	ACCESSORY MODEL & LOAD RATING TAG	1
9	PHDSLMS6CX4	#6-32 x 1/4" LG. PAN HEAD SLOTTED MACHINE SCREW	2

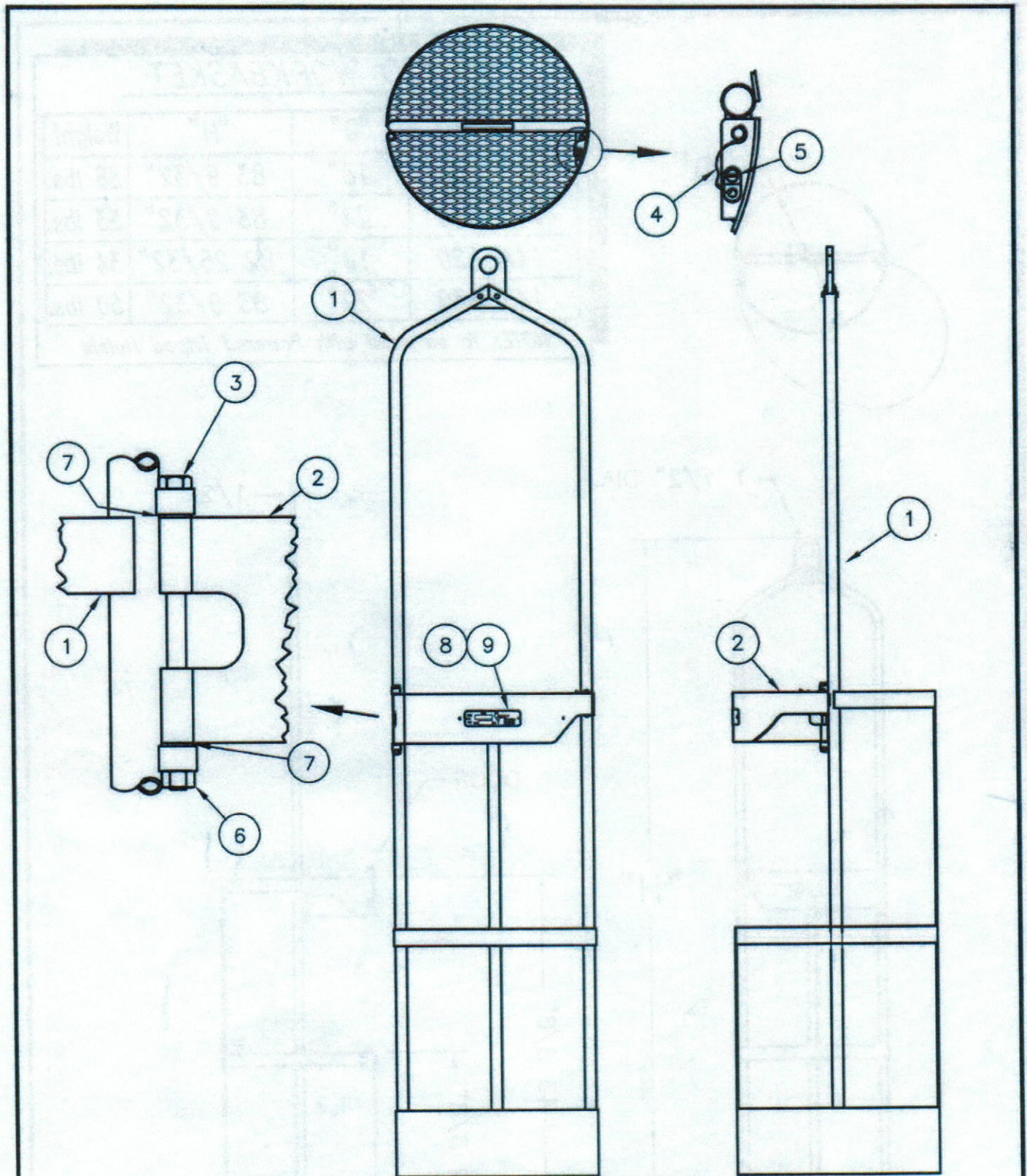
ROUND WORKBASKET

Model No.	"D"	"H"	Weight
143-600	18"	83 9/32"	38 lbs.
143-610	24"	83 9/32"	53 lbs.
143-620	16"	82 25/32"	34 lbs.
143-630	22"	83 9/32"	50 lbs.

NOTE: To be used with Powered Tripod Hoists



18" DIA. BASKET SHOWN



- 143-600 18" DIAMETER ROUND WORKBASKET
- 143-610 24" DIAMETER ROUND WORKBASKET
- 143-620 16" DIAMETER ROUND WORKBASKET
- 143-630 22" DIAMETER ROUND WORKBASKET