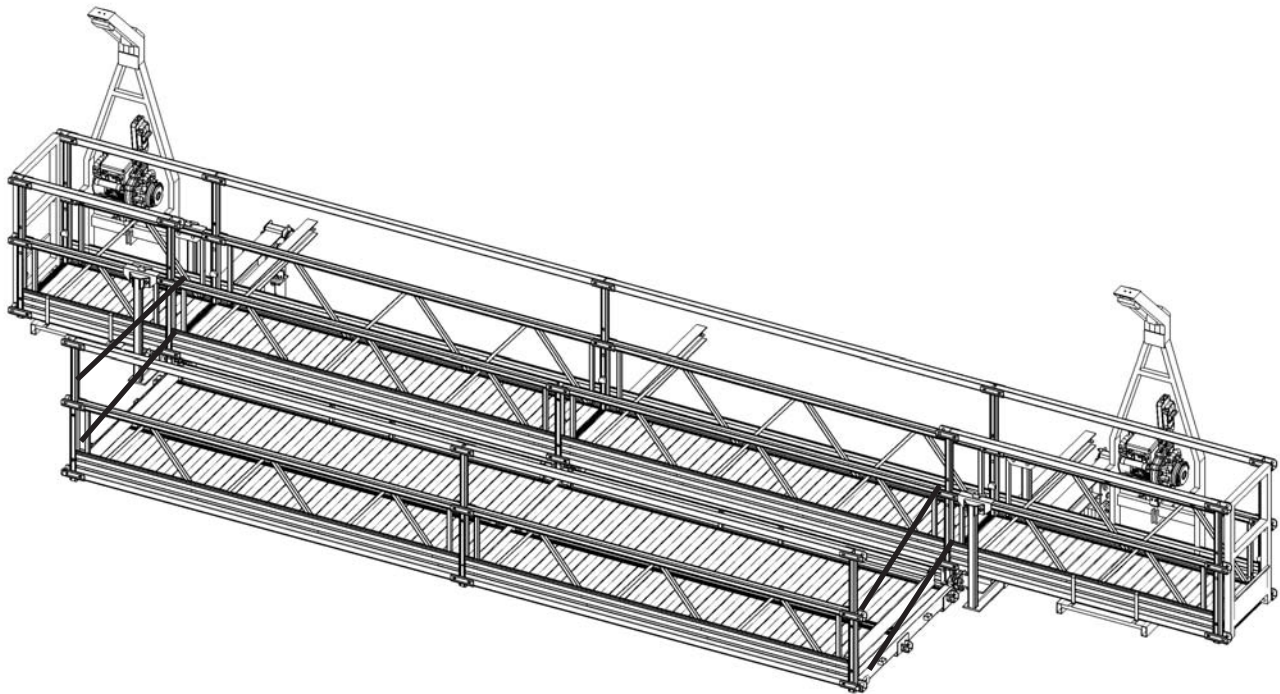




Headquarters: 2145 Indian Road | West Palm Beach, Florida 33409 | Phone (888) or (561) 616-9003 | Fax (561) 616-9005
West Coast Branch: 11947 E. Florence Ave, Ste 5 | Santa Fe Springs, CA 90670 | Phone (562) 903-0004 | Fax (562) 903-0006

Sliding Porch Kit, 20ft Double Wide

Assembly & Operating Instruction Manual



Description

This innovative double wide Sliding Porch Kit is ideal for accessing recessed areas of tall structures up to 6ft (1.8m) deep using mostly standard modular platform components.

While suspended, two workers can operate a pulley system to extend a 20 ft long double wide deck into the recessed area. This will provide them instant access of up to 54" (1.5m) from the front of the base platform. An automatic counterbalance system assures a level working surface for up to two workers. When ascending and descending, the platform extension can be fully retracted and will only stick out 4" (102mm) from the base platform for easy movement from floor to floor.

Specifications

Part Numbers:

S1061-003L Porch beam Assy, Left DW
S1061-003M Porch beam Assy, Middle DW
S1061-003R Porch beam Assy, Right DW
S1061-027 Trolley Beam, Left DW
S1061-014 Trolley Beam, Right DW
S1061-022 End Toeboard
S1061-011 3m Toeboard
S1061-029 Extended Caster Assembly
422703 3m Deck Beam

Load Capacity: 500 lbs. (227 kg.)

Dimensions: 54" extended sliding distance,
4" retracted (52" back space required)

Weight: 1400 lbs. (635 kg.)



Headquarters: 2145 Indian Road | West Palm Beach, Florida 33409 | Phone (888) or (561) 616-9003 | Fax (561) 616-9005
West Coast Branch: 11947 E. Florence Ave, Ste 5 | Santa Fe Springs, CA 90670 | Phone (562) 903-0004 | Fax (562) 903-0006

GENERAL WARNING - Read First

**Safety is a matter of life or death for riggers, operators and by-standers.
This warning is your share of duties for achieving safety.**

Your duty to understand and comply:

1. It is imperative for safety and efficiency of operations that this manual be read and fully understood by the rigger and the operator before rigging and using this equipment. All instructions contained herein must be carefully and strictly followed, including applicable Bee Access guidelines.
2. Should you hand over this equipment under any conditions, to any party operating out of your control, you must attach a clean copy of this manual and draw to other party's attention that strictly following all the instructions therein is a matter of life or death.
3. Before using this equipment, the rigger and the operator must become aware of all requirements of federal, state, provincial and local safety regulations, applicable to the entire suspended scaffold system and any component of it.
4. Never load this equipment above its rated load of **500 lbs. for suspended scaffolding**.
5. Bee Access declines any responsibility for any special layouts, rigging or structural combinations beyond the descriptions of this manual.
6. Bee Access declines any responsibility for any other use of this equipment, than described in this manual.

Your duty to inspect and maintain:

7. Keep this manual available at all times for easy reference whenever required. Extra copies are available from Bee Access and/or your equipment supplier.
8. Carefully take notice of all labels affixed to the equipment. Never rig or operate this equipment if any label, normally fixed on it is obscured or missing. Replacement labels are available from Bee Access and/or your equipment supplier.
9. Every time the suspended scaffold is to be rigged or used, check that the Davit/rigging, Tieback Anchor, hoists, platform and other components are complete and in good working condition, prior to proceeding. All wire ropes and safety lines and their protective sleeves should be inspected at the beginning of every shift. Check for wear and abrasion due to contact with rigging equipment and/or the building structure.
10. **Inspection is to be carried out by personnel authorized by Bee Access once every twelve months.** Thoroughly check overall condition for bent, damaged or worn parts and broken welds. A signed and dated inspection record should be maintained for these purposes.
11. Make sure to comply with inspection and maintenance guidelines of all other components used in the suspended scaffold system.
12. Bee Access declines any responsibility for consequences of repairs or modifications brought out of its control to the product, specifically by replacement of original parts or repairs by another manufacturer.

Your duty to train and control people:

- Compliance with safety rules extends to rigging operations which must be carried out only after securing safe conditions of operation as per safety regulations and requirements.
13. An operator must not be assigned to rigging, de-rigging, moving or operating a suspended scaffold if that person is not:
 - a. Mentally and physically fit for the purpose, especially at heights
 - b. Competent for the job to be performed
 - c. Familiar with the scaffold equipment as rigged
 - d. Professionally trained for working under the above requirements
 14. Never let the equipment be moved or operated by unauthorized personnel. Keep the equipment, either rigged or unrigged, out of reach of unauthorized persons, while out of operation.
 15. Every suspended job must be placed under the control of a person having the required competence and authority for checking that all the instructions prescribed by this manual be regularly and efficiently carried out.

Your duty to safety of the entire scaffold system:

- A suspended scaffold system is made up of numerous pieces of equipment; all of these components can contribute to the required safety only if:
16. Other components meet the requirements of the applicable safety regulations and requirements, are of the proper quality, assembled to form a safe and efficient suspended system and compatibility is approved by Bee Access.
 17. The supporting structure and tie-backs can withstand every load to be applied, either static or dynamic, during rigging or operating of the suspended scaffold equipment.
 18. All the requirements in strength and resistance are obtained with the necessary safety coefficients (call your supplier for regulations and professional standards).
 19. All the calculations, design and subsequent work necessary to meet the above requirements have been made by a competent person on the basis of proper technical information regarding the site.

NOTE: This manual is neither a regulations compliance manual nor a general training guide on suspended scaffold operations. You must refer to proper instructions delivered by your supplier of the other pieces of equipment included in your suspended scaffold installation. Whenever calculations and specific rigging and handling are involved, the operator should be professionally trained to that end and secure relevant information prior to commencing such work.

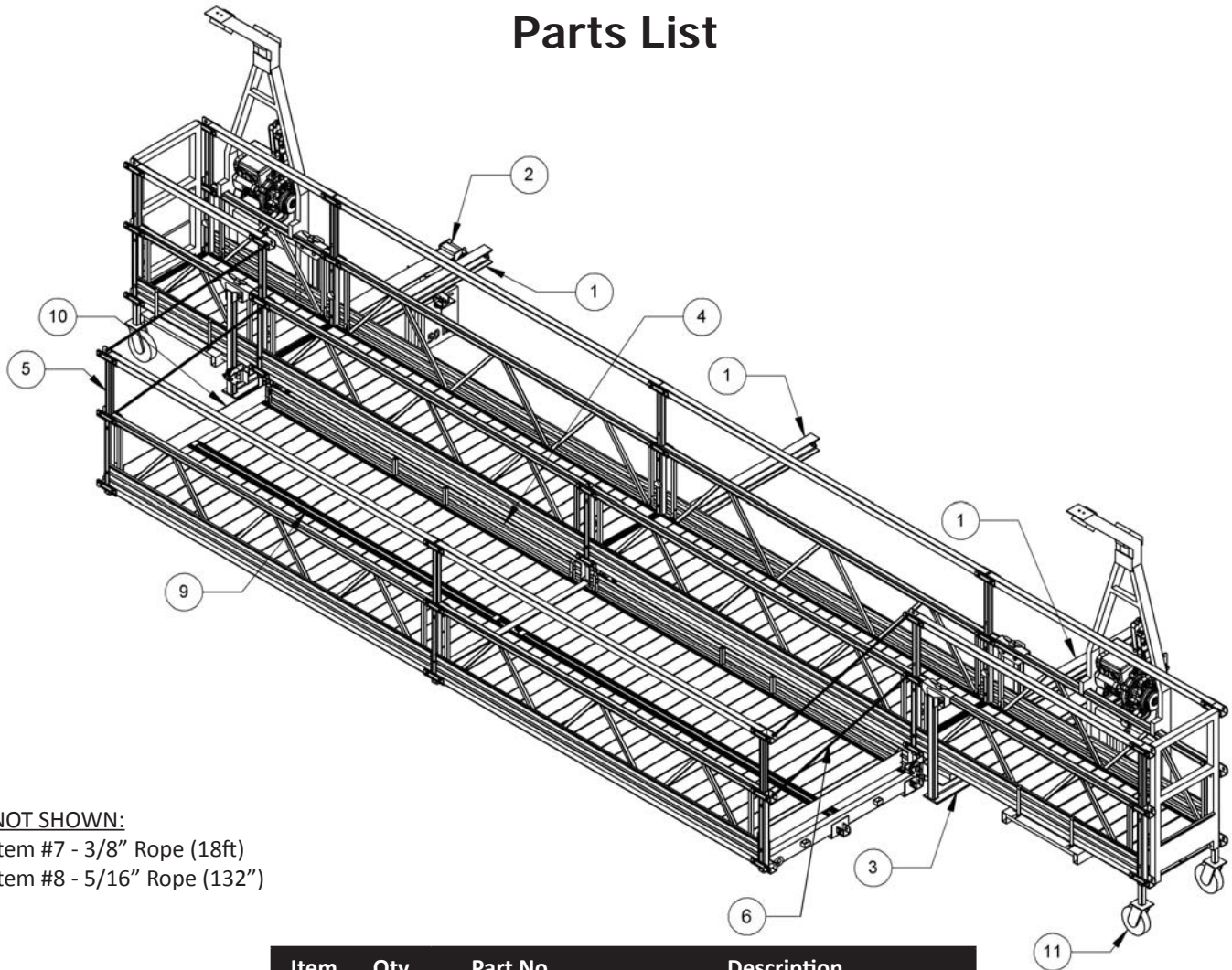
Read and comply with the "Code of Safe Practices for Suspended Powered Scaffolds" issued by the Scaffold Industry Association (also available from Bee Access or your supplier).



Headquarters: 2145 Indian Road | West Palm Beach, Florida 33409 | Phone (888) or (561) 616-9003 | Fax (561) 616-9005
West Coast Branch: 11947 E. Florence Ave, Ste 5 | Santa Fe Springs, CA 90670 | Phone (562) 903-0004 | Fax (562) 903-0006

Sliding Porch Kit, 20ft Double Wide

Parts List



NOT SHOWN:

- Item #7 - 3/8" Rope (18ft)
- Item #8 - 5/16" Rope (132")

Item	Qty.	Part No.	Description
1	3	S1061-003	Porch Beam Assembly, DW
2	1	S1061-027	Trolley Beam, Left DW
3	1	S1061-014	Trolley Beam, Right DW
4	2	S1061-011	3m Toeboard
5	3	S1061-024	Long Guardrail Post
6	4	S1061-140	Chain (4ft)
7	4	S1061-141	3/8" Rope (18ft)
8	2	S1061-142	5/16" rope (132")
9	2	422703	Deck Beam, 3M
10	2	S1061-022	End Toeboard
11	4	S1061-029	Extended Caster Assembly



Headquarters: 2145 Indian Road | West Palm Beach, Florida 33409 | Phone (888) or (561) 616-9003 | Fax (561) 616-9005
West Coast Branch: 11947 E. Florence Ave, Ste 5 | Santa Fe Springs, CA 90670 | Phone (562) 903-0004 | Fax (562) 903-0006

Sliding Porch Kit, 20ft Double Wide

Assembly Instructions

Tools Required:

-1/2" Wrench & Socket (not required on this page)

-3/8" Wrench & Socket (not required on this page)

NOTE:

Assembly must be performed or supervised by a competent and trained person. Read and fully understand these instructions before proceeding with assembly. Make sure warning/rating labels are in place, legible and have been read.

Sliding Porch Kit, Assembly Instructions:

1. Assemble base platform (1m/2m – 3m – 3m – 1m/2m)
2. Attach Walk Thru Stirrup to 1m or 2m section
3. Attach Walk Thru Stirrup to 1m or 2m section
4. Raise base platform
5. Slide Porch Beam Assembly, Middle (S1061-003M) into middle U-Frame and pin into position
6. Slide Porch Beam Assembly, Right (S1061-003R) into the U-Frame to the right of the middle U-Frame and pin into position
7. Slide Porch Beam Assembly, Left (S1061-003L) into the U-Frame to the left of the middle U-Frame and pin into position
8. Lower Platform onto the ground

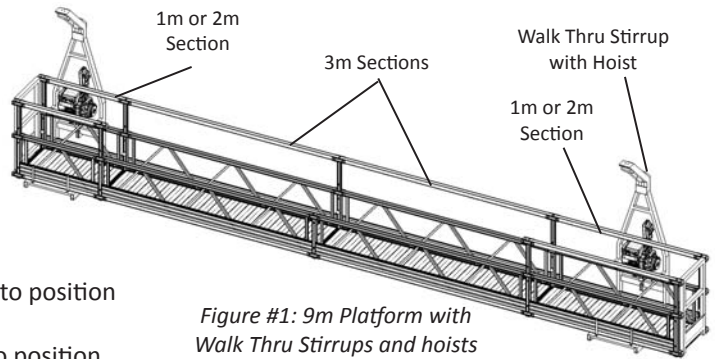


Figure #1: 9m Platform with Walk Thru Stirrups and hoists (steps #1 thru 4)

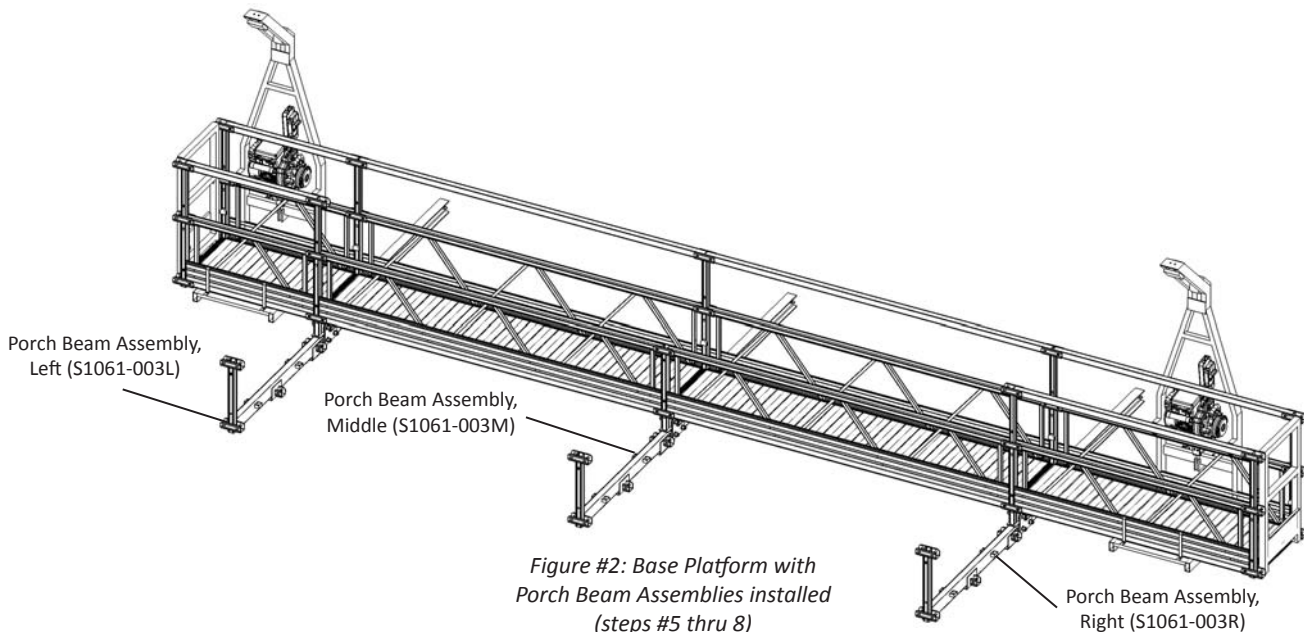


Figure #2: Base Platform with Porch Beam Assemblies installed (steps #5 thru 8)

⚠ WARNING:

- Any installation of this equipment other than in strict accordance with these instructions shall be at the Operator's risk and may result in death or serious injury.
- It is the users responsibility to ensure that the distance between rigging points is equal to the distance between the hoist suspension points.



Headquarters: 2145 Indian Road | West Palm Beach, Florida 33409 | Phone (888) or (561) 616-9003 | Fax (561) 616-9005
West Coast Branch: 11947 E. Florence Ave, Ste 5 | Santa Fe Springs, CA 90670 | Phone (562) 903-0004 | Fax (562) 903-0006

Sliding Porch Kit, 20ft Double Wide

Assembly Instructions

Tools Required:

-1/2" Wrench & Socket (not required on this page)

-3/8" Wrench & Socket (not required on this page)

NOTE:

Assembly must be performed or supervised by a competent and trained person. Read and fully understand these instructions before proceeding with assembly. Make sure warning/rating labels are in place, legible and have been read.

Sliding Porch Kit, Assembly Instructions:

9. Pin 3m Side Frame (421063) into position between Porch Beam Assemblies (S1061-003)
10. Pin 3m Deck Beam (422703) into position between Porch Beam Assemblies (S1061-003)
11. Pin 3m Toeboard (S1061-011) into position between Porch Beam Assemblies (S1061-003)

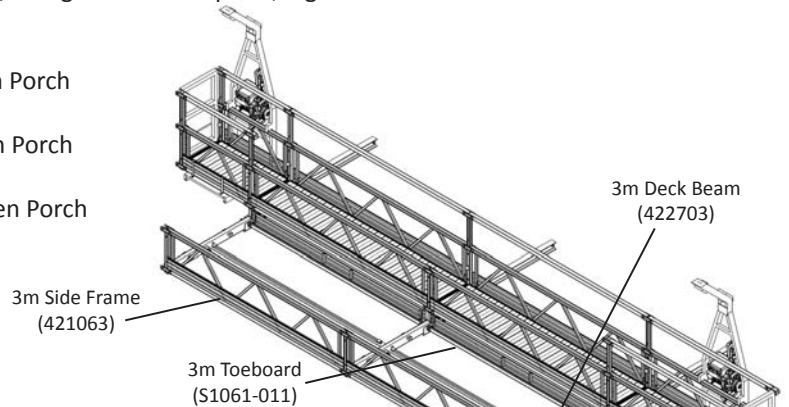


Figure #3: Base Platform with framework components installed (steps #9 thru 11)

12. Secure 3m Deck (422903) into position between the 3m Deck Beam and the 3m Side Frame or 3m Toeboard
13. Lock Long Guardrail Posts (S1061-024) into each Porch Beam Assembly (S1061-003) with a Quick Pin (424001)
14. Lock 3m Guardrail (422013) into position onto the Long Guardrail Posts (S1061-024)
15. Raise platform 4ft off ground

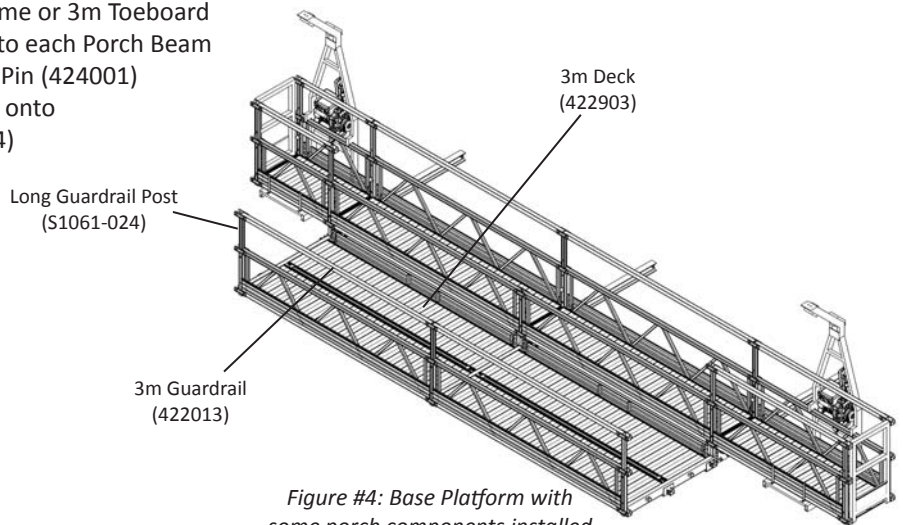


Figure #4: Base Platform with some porch components installed (steps #12 thru 15)

WARNING:

- Any installation of this equipment other than in strict accordance with these instructions shall be at the Operator's risk and may result in death or serious injury.
- It is the users responsibility to ensure that the distance between rigging points is equal to the distance between the hoist suspension points.



Headquarters: 2145 Indian Road | West Palm Beach, Florida 33409 | Phone (888) or (561) 616-9003 | Fax (561) 616-9005
West Coast Branch: 11947 E. Florence Ave, Ste 5 | Santa Fe Springs, CA 90670 | Phone (562) 903-0004 | Fax (562) 903-0006

Sliding Porch Kit, 20ft Double Wide

Assembly Instructions

Tools Required:

-1/2" Wrench & Socket

-3/8" Wrench & Socket

NOTE:

Assembly must be performed or supervised by a competent and trained person. Read and fully understand these instructions before proceeding with assembly. Make sure warning/rating labels are in place, legible and have been read.

Sliding Porch Kit, Assembly Instructions:

- 16. Install each End Toeboard (S1061-022) to the 3m Toeboard (S1061-011) and the Porch Beam Assembly (S1061-003) with the bolts provided using the 3/8" wrench and socket
- 17. Attach the Chain (S1061-140) from the midrail of the Porch Beam Assembly (S1061-003) outside U-Frame Quickpin hole to the base Platform midrails Quickpin (424001)
- 18. Attach the Chain (S1061-140) from the top rail of the Porch Beam Assembly (S1061-003) outside U-Frame Quickpin hole to the base Platform top rails Quickpin hole

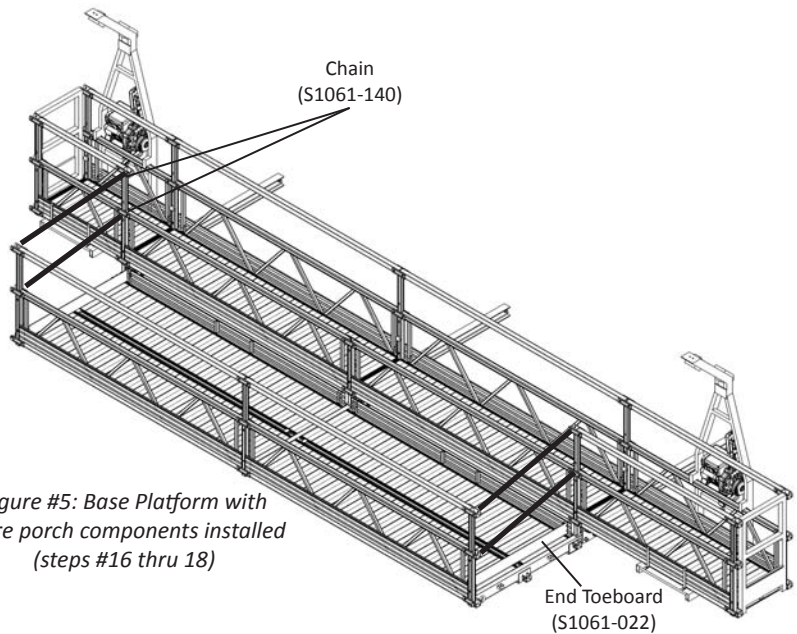


Figure #5: Base Platform with more porch components installed (steps #16 thru 18)

- 19. Slide Trolley Beam, Left (S1061-027) over the standard platforms side frames NEXT to and TOUCHING the left U-frame and secure into position onto the mid rail (tighten bolts with 1/2" wrench and socket)
- 20. Slide Trolley Beam, Right (S1061-014) over the standard platforms side frames NEXT to and TOUCHING the right U-frame and secure into position onto the mid rail (tighten bolts with 1/2" wrench and socket)

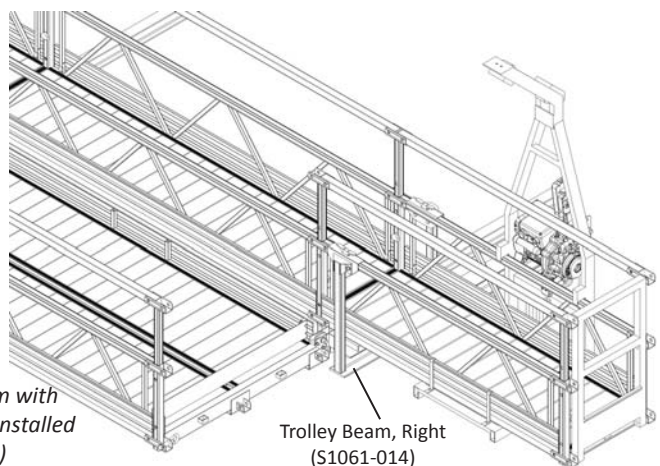


Figure #6: Base Platform with most porch components installed (steps #19 thru 20)

WARNING:

- Any installation of this equipment other than in strict accordance with these instructions shall be at the Operator's risk and may result in death or serious injury.
- It is the users responsibility to ensure that the distance between rigging points is equal to the distance between the hoist suspension points.



Headquarters: 2145 Indian Road | West Palm Beach, Florida 33409 | Phone (888) or (561) 616-9003 | Fax (561) 616-9005
West Coast Branch: 11947 E. Florence Ave, Ste 5 | Santa Fe Springs, CA 90670 | Phone (562) 903-0004 | Fax (562) 903-0006

Sliding Porch Kit, 20ft Double Wide

Assembly Instructions

Tools Required:

-1/2" Wrench & Socket

-3/8" Wrench & Socket (not required on this page)

NOTE:

Assembly must be performed or supervised by a competent and trained person. Read and fully understand these instructions before proceeding with assembly. Make sure warning/rating labels are in place, legible and have been read.

Sliding Porch Kit, Assembly Instructions:

21. Slide (6) counterweights onto EACH I-Beam trolley and retighten bolt (so weights are secured and can NOT slide off)
22. Guide each 3/8" rope tied to the front area of the Porch Beam Assembly through the pulley assembly located in the rear of the Trolley Beam Assembly (please note to seed rope between the pulley and the bolts). Bring the end of the rope and secure it to the cleat on the back-side of the platform

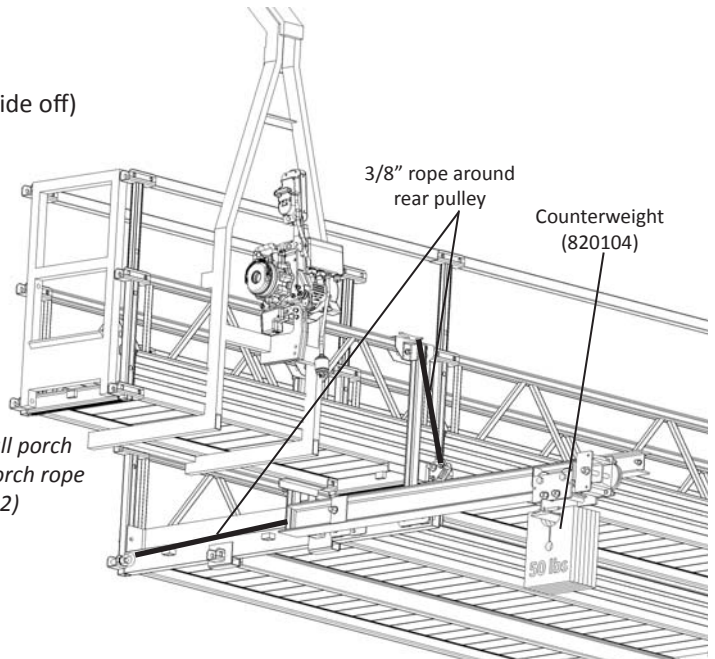


Figure #7: Base Platform with all porch components installed and one porch rope installed (steps #21 thru 22)

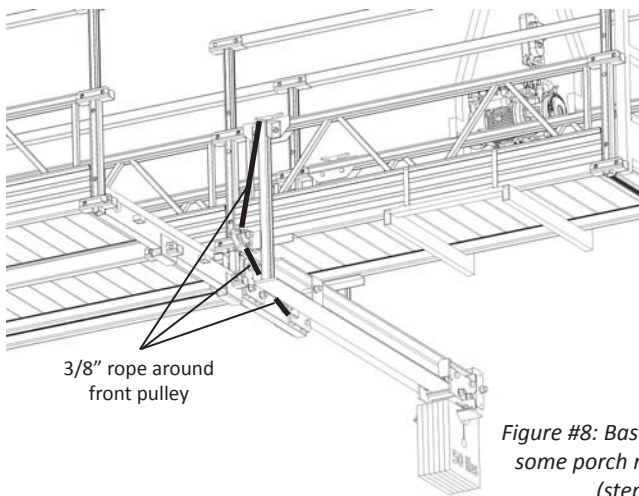


Figure #8: Base Platform with some porch ropes installed (step #23)

23. Guide each 3/8" rope tied to the rear area of the Porch Beam Assembly through the pulley assembly located in the front of the Trolley Beam Assembly (please note to seed rope between the pulley and the bolts). Bring the end of the rope and secure it to the cleat on the front-side of the platform

WARNING:

- Any installation of this equipment other than in strict accordance with these instructions shall be at the Operator's risk and may result in death or serious injury.
- It is the users responsibility to ensure that the distance between rigging points is equal to the distance between the hoist suspension points.



Headquarters: 2145 Indian Road | West Palm Beach, Florida 33409 | Phone (888) or (561) 616-9003 | Fax (561) 616-9005
West Coast Branch: 11947 E. Florence Ave, Ste 5 | Santa Fe Springs, CA 90670 | Phone (562) 903-0004 | Fax (562) 903-0006

Sliding Porch Kit, 20ft Double Wide

Assembly Instructions

Tools Required:

-1/2" Wrench & Socket (not required on this page)

-3/8" Wrench & Socket (not required on this page)

NOTE:

Assembly must be performed or supervised by a competent and trained person. Read and fully understand these instructions before proceeding with assembly. Make sure warning/rating labels are in place, legible and have been read.

Sliding Porch Kit, Assembly Instructions:

24. Take the 5/16" rope that goes through the rear pulley of the Trolley beam assembly and shackle it to the front roller assembly of the Porch Beam Assembly

Figure #9: Base Platform with more porch ropes installed (step #23)

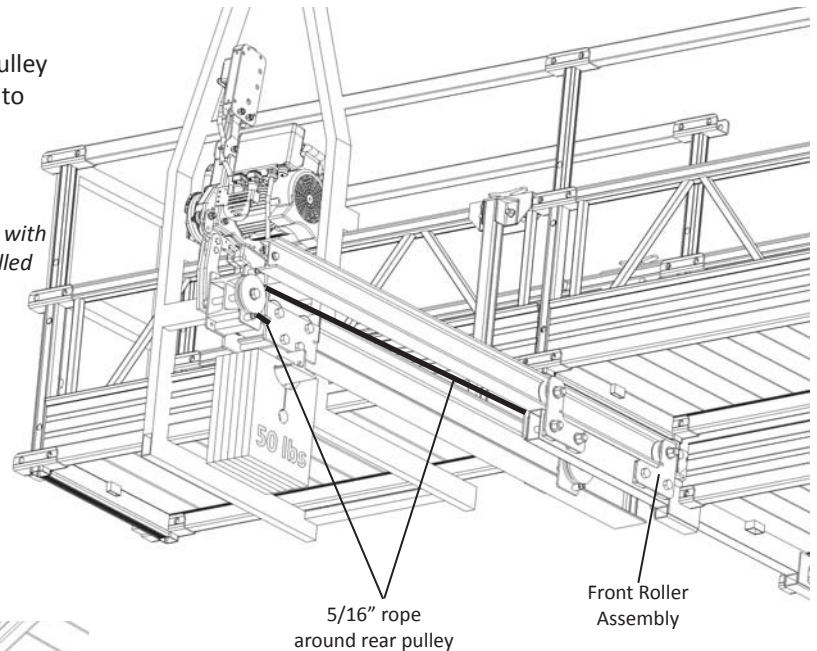
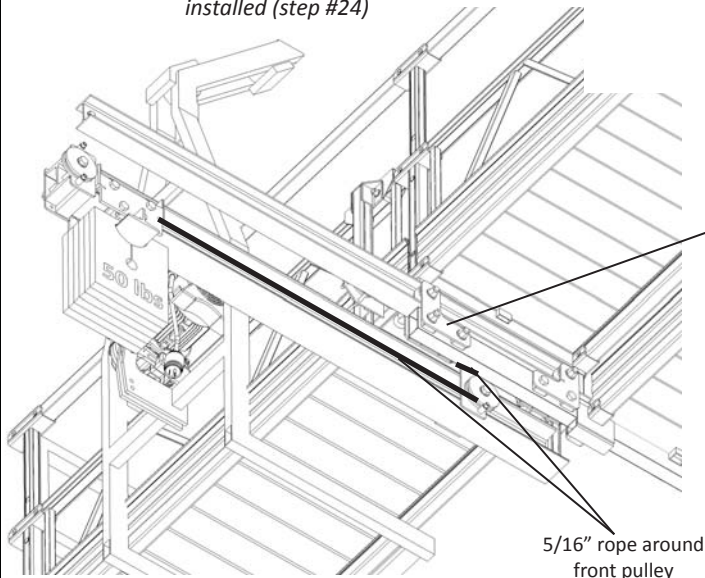


Figure #10: Base Platform with all porch ropes installed (step #24)



25. Take the 5/16" rope that goes through the front pulley of the Trolley beam assembly and shackle it to the rear roller assembly of the Porch Beam Assembly

! WARNING:

- Any installation of this equipment other than in strict accordance with these instructions shall be at the Operator's risk and may result in death or serious injury.
- It is the users responsibility to ensure that the distance between rigging points is equal to the distance between the hoist suspension points.



Headquarters: 2145 Indian Road | West Palm Beach, Florida 33409 | Phone (888) or (561) 616-9003 | Fax (561) 616-9005
West Coast Branch: 11947 E. Florence Ave, Ste 5 | Santa Fe Springs, CA 90670 | Phone (562) 903-0004 | Fax (562) 903-0006

Sliding Porch Kit, 20ft Double Wide

Operating Instructions

Sliding Porch Kit, Operating Instructions:

Extending:

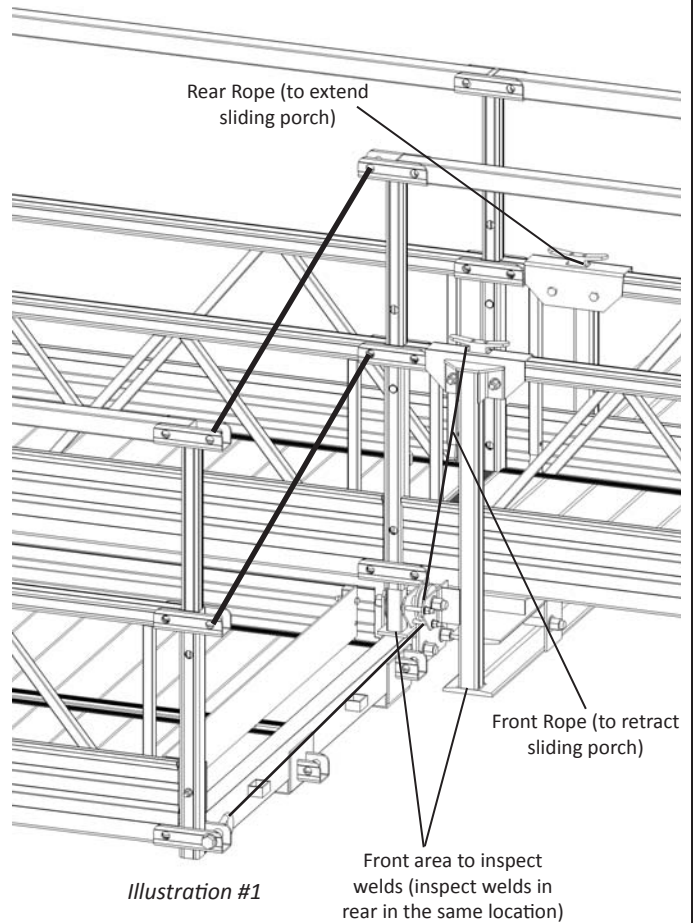
1. Uncleat both 3/8" ropes (continue to hold ropes)
2. Uniformly pull rear 3/8" rope on each end of platform
3. Once platform has been extended, cleat each rope so it is secured and can not move

Retracting:

1. Uncleat both 3/8" ropes (continue to hold ropes)
2. Uniformly pull front 3/8" rope on each end of platform (if platform binds, pull the rear rope a little to unbind the platform and continue step #2)
3. Once platform has been retracted, cleat rope so it is secured and can not move

NOTES:

- When transporting the platform to each drop location, remove the counterweights and install (4) extended casters into the end U-Frames for easy transportation. (Do NOT keep the casters in the U-Frame when ascending/descending platform.)
- Before each use, inspect welds at the front and rear of the platform as shown in illustration #1.
- Before each use, make sure that the trolleys are seated correctly on each beam.
- Before each use, verify that each Extend/Retract rope is taut.
- Before each use, verify that every rope going to both trollies are taut.
- This equipment may only be installed and operated by workers trained specifically on this product.



⚠ Operating Warnings:

- It is the user's responsibility to read and understand the instructions/warnings listed on this page and to use the platform with these instructions/warnings in mind.
- Use only Bee Access provided hardware. Do not substitute.
- It is the users responsibility to check all platform connections (pins and bolts) prior to operation.
- It is the users responsibility to monitor all of the moving and non-moving components of the platform during operation.

NOTE:

- All pictures and drawings in this manual are for illustrative purposes only.
- Erection, use, maintenance, and disassembly must conform to current Bee Access instructions as well as ALL federal, state, provincial, and local regulations.
- Maximum Platform Load Capacity: 500 lbs.
- It is the user's responsibility to read and understand the instructions/warnings listed in the hoist and platform instruction manuals.
- This equipment may only be installed and operated by workers trained specifically on this product.

⚠ WARNING: Any use of this equipment other than in strict accordance with these instructions shall be at the Operator's risk and may result in death or serious injury.