

**PR 600**

# **Mobile Fall Protection System**

**Assembly Instructions**

**[www.PRPLIMITED.com](http://www.PRPLIMITED.com)**

**1-800-560-3093**

**[info@prplimited.com](mailto:info@prplimited.com)**

# PR 600 MOBILE FALL PROTECTION SYSTEM

The **PR 600 MOBILE FALL PROTECTION SYSTEM** WAS DESIGNED TO BE USED ON THE TOP OF **FLAT ROOFS**. The **PR 600** can be moved along the roofs top by simply pulling the roof cart to the desired location. The position of the utility cart will be parallel to the leading roof edge with the pivot arms pointing toward the edge. The distance of the pivot arms to the leading edge will be no less than fifteen feet (4.6 meters). The ballast weight will be extended out to a distance of nine feet (2.8 meters) from the pivot arms.

Turn the handle on the Wheel Jack that lifts the Ballast Weight and lowers the Pivot Arms, so that they touch onto the roofs deck, setting the fall protection system in place. After positioning the **PR 600**, the turning wheel must be locked into the forward position with the **PR 600** locking device.

## IMPORTANT

1. **NOTE:** No more than one worker anchored to a PR600 shall enter a corner area.

Workers shall not round a corner, or work at right angle to the pivot arms, at an opposing leading edge.

In the event a workers fall at a right angle to the Pivot arms, could cause the **PR600** to turn about its Axis until the pivot arms are facing the direction of The workers fall.

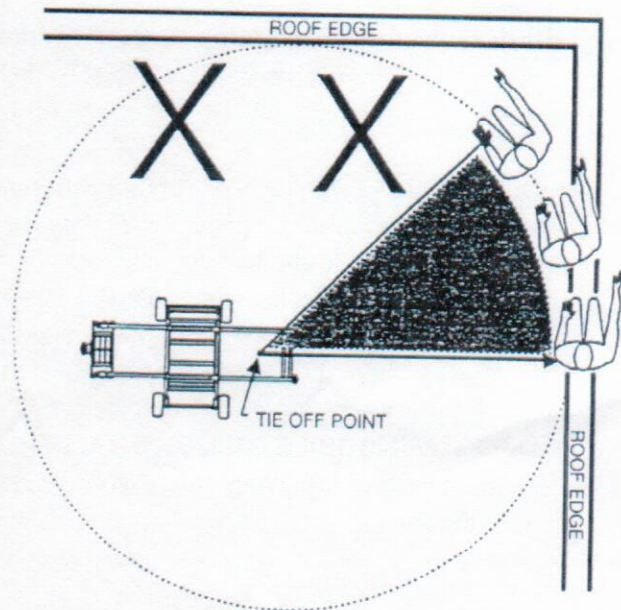
The Pivot points will then penetrate the roof and The ballast weight will arrest the workers fall.

Rigging must be carried out by a competent person to the distance as described in the chart supplied, such as the lifeline not to exceed two feet in addition to the distance from pivot arms perpendicular to the leading edge.

When using the **PR600** on non-Federal projects in the State of California, a workers lifeline must be rigged as travel restraint. Refer to Chart.

Maximum weight of worker including tools, shall not be greater than 310 lbs (141 kg)

2. **NOTE: AT NO TIME** can a static line be used between two **PR 600's**. Workers must be attached directly to the anchor rings on the mast.



# PROTECTIVE ROOFING PRODUCTS LTD.

90 MILBURN RD UNIT 3, HAMILTON ON L8E 3L9  
(800) 560-3093 ~ (905) 661-1104 ~ fax# 905-661-1323  
[www.prplimited.com](http://www.prplimited.com) ~ [info@prplimited.com](mailto:info@prplimited.com)

## PR 600 MOBILE FALL PROTECTION SYSTEM

### ASSEMBLY INSTRUCTIONS

To assemble the **PR 600**, the position of the utility cart is to be parallel to the leading edge, with the pivot arms pointing towards the edge.

1. Slide the extension arms into the square tube at the side of the cart, facing away from the edge of the roof, up to the next square tube. Lock the pin in the hole provided in the extension arm.
2. Slide the ballast basket onto the extension arms and lock the pin in the holes provided.
3. Place the weights in the ballast basket and lower the basket using the wheel jack.
4. Insert the pivot arms onto the opposite side of the cart and insert the joining pins, then tighten the "T" handle to take up any slack.

The distance of the **Pivot Arms** to the leading edge should be fifteen feet (4.6 meters) or more. The amount of weight to be used as the **ballast** is five hundred pounds (230Kg)

Turn the handle on the **Wheel Jack** to lift the **Ballast Weight**. This lowers the **Pivot Arms** to touch onto the roofs deck, setting the **Fall Protection System** in place.

The **Life Lines** are then hooked up to the **D ring** anchors located at the top of the **Mast** and rigged so that if a worker falls over the edge, the workers fall will be arrested not more than two feet (0.6metres). If there is no existing roof membrane then an **Accessory Plate** is bolted to the **Pivot Arm** and mechanically fastened to the roofs deck.

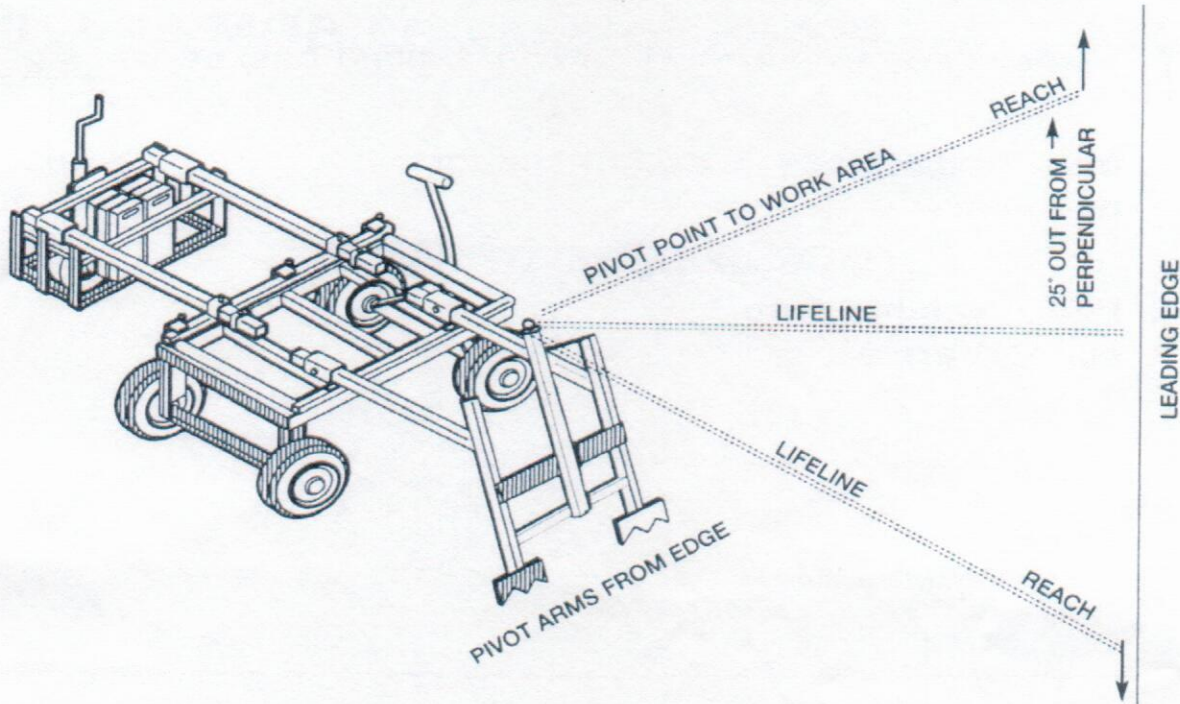
No more than **Two workers** can be rigged under **Fall Arrest** with a third person rigged as Travel Restraint. **REFER TO THE RIGGING CHART (attached)**

Up to three workers can be tied off to the same unit at the same time. If a worker falls over the edge, the life line will pull on the top of the mast pulling on the cross member that is welded to the pivot arms, pushing on the lower cross member, driving the pivot arm plates into the roofing membrane. This anchors the **PR 600** system, creating a moment between the **Pivot Arms** and the **Ballast Weight**, thus arresting the workers fall.

# PROTECTIVE ROOFING PRODUCTS LTD.

90 MILBURN RD UNIT 3, HAMILTON ON L8E 3L9  
 (800) 560-3093 ~ (905) 661-1104 ~ fax# 905-661-1323  
[www.prplimited.com](http://www.prplimited.com) ~ [info@prplimited.com](mailto:info@prplimited.com)

## PR 600 MOBILE FALL PROTECTION SYSTEM FALL ARREST



Persons using the **PR 600** as a Fall Arrest Anchor  
 Shall be of a weight **NOT** greater than 310 lbs (141kgs) including tools.

### 2 FEET (0.6 METERS)

<u>Pivot Arms from Edge</u>	<u>Life Line</u>	<u>Reach Along Leading Edge</u>
20 ft.	22 ft.	25ft.
25 ft.	27ft.	30ft.
30ft	32ft.	32ft.
35ft.	37ft.	35ft.
40ft	42ft.	40ft.

### PR 600 TRAVEL RESTRAINT

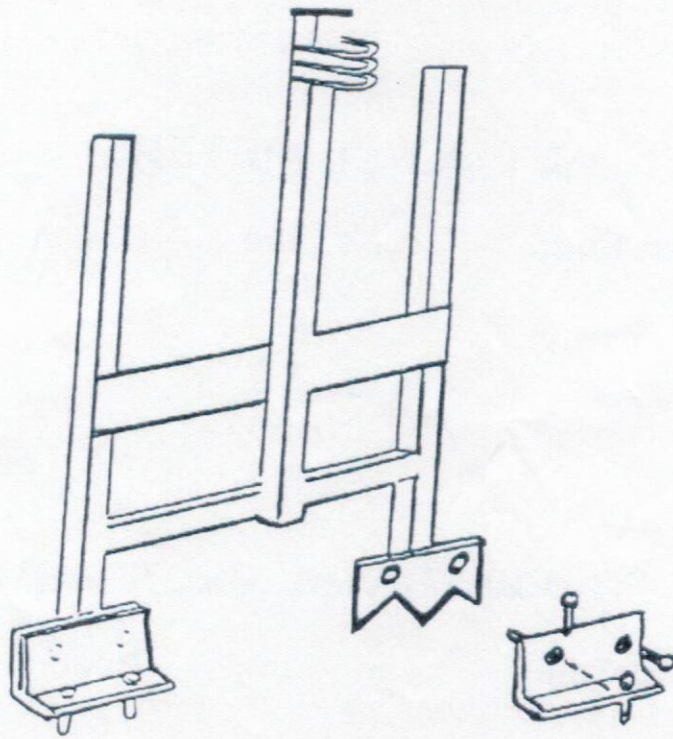
<u>Pivot Arms from Edge</u>	<u>Life Line</u>	<u>Reach Along Leading Edge</u>
20ft.	19ft. 6"	21ft.
25ft.	24ft 6"	24ft.
30ft.	29ft. 6"	28ft

# PROTECTIVE ROOFING PRODUCTS LTD.

90 MILBURN RD UNIT 3, HAMILTON ON L8E 3L9  
(800) 560-3093 ~ (905) 661-1104 ~ fax# 905-661-1323  
[www.prplimited.com](http://www.prplimited.com) ~ [info@prplimited.com](mailto:info@prplimited.com)

## PR 600 MOBILE FALL PROTECTION SYSTEM

### PIVOT PLATES



Pivot plates

---