

TRESTLE MONORAIL CABLE HOIST MOUNTING

Get the most use out of your hoist with our
LIFTING ACCESSORIES



The Trestle Monorail System (PT-1 or PT-1E) is a stand-alone unit that can be used for mounting your hoist to a roof top or balcony for easy access. Proper ballasting is required and can be accomplished by utilizing a variety of options. PMR rollers are required and not included. This accessory is for material use only.



For more information contact us at:

1-800-451-5053

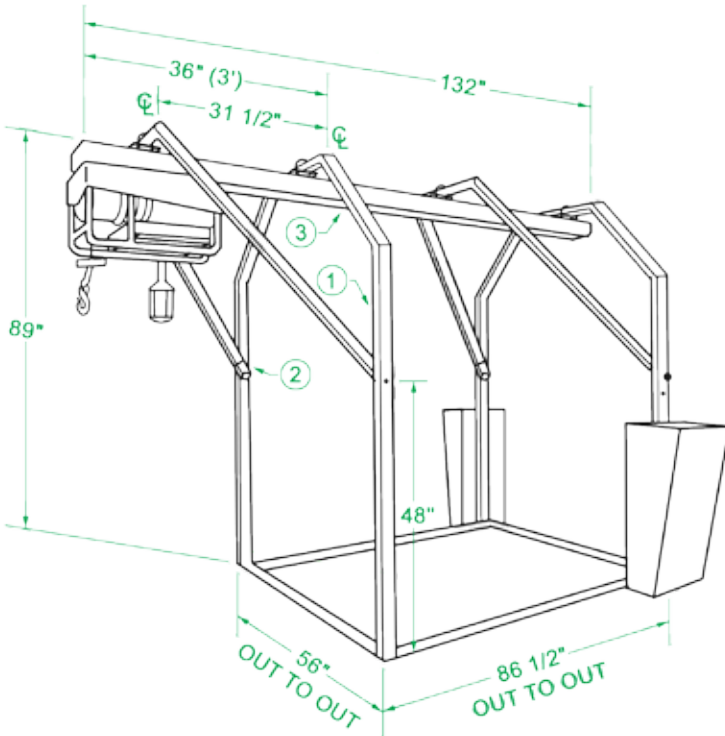
Ph: 321-733-3387 Fx: 321-733-9433

360 East Drive, Melbourne, FL 32904, USA

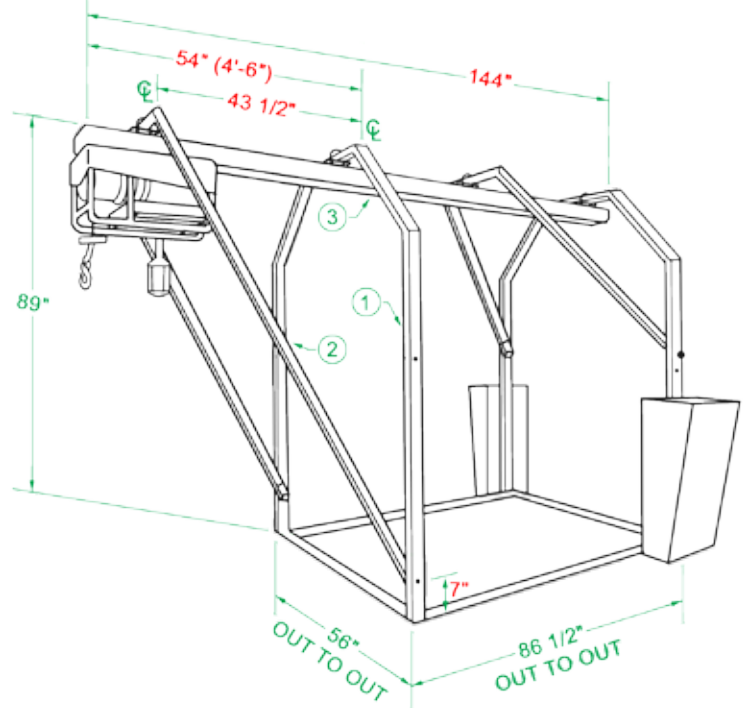
sales@hi-techhoist.com www.hi-techhoist.com

TRESTLE MONORAIL CABLE HOIST MOUNTING

PT-1 Standard Monorail (3-1/2' Overhang)



PT-1E Extended Monorail (4-1/2' Overhang)



Ballast Options



I-Beam Ballast Brackets
(PT-4)

Allows the utilization of slotted weights (i.e. T-Slot or tractor weights) for ballasting.



Ceiling Brace
(PT-3)

Used in balcony applications where a solid surface (i.e. concrete ceiling) is located just above the Trestle Monorail System. Reduces the handling of ballasting material.



Ballast Containers
(PT-2)

Can be used in most situations. Containers can be loaded with heavy solid material for ballasting the Trestle Monorail System.