

PATRIOT SR SERIES

MATERIAL HOISTS WITH WIRELESS CONTROLS

**WIRELESS
FREEDOM**

Patriot 1000 -SR shown with optional monorail rollers and scaffold mounted monorail.



Hi-Tech Hoist Quality **MADE CONVENIENT AND PORTABLE**

The Patriot Series Portable Hoists offer high quality and reliability, now with the convenience and freedom of wireless operator controls.

Standard Features

- » Up to 2,000 lb Lifting Capacity
- » Up to 200' Lifting Height
- » Speeds from 27 fpm to 85 fpm
- » 220-240 VAC / 1-Phase Power
- » Cable: 1/4" to 5/16"
- » Water Tight Connectors
- » Easy Lift Cable Replacement
(No Field Crimping Required)
- » 100% Duty Cycle
- » Dual Operating Speeds
- » Variable Frequency Drive for
Smooth Acceleration
- » Wireless Remote Pendant
- » Various Mounting Capabilities

Many Accessories Available

Cable Sold Separately, Material Use Only



**NEW
WIRELESS
CONTROLS**

- **CONSTRUCTION**
- **RENOVATION**
- **PRODUCTION**
- **WAREHOUSES**
- **MAINTENANCE**



For more information contact us at:

1-800-451-5053

Ph: 321-733-3387 Fx: 321-733-9433

360 East Drive, Melbourne, FL 32904, USA

sales@hi-techhoist.com www.hi-techhoist.com

PORTABLE MATERIAL HOISTS

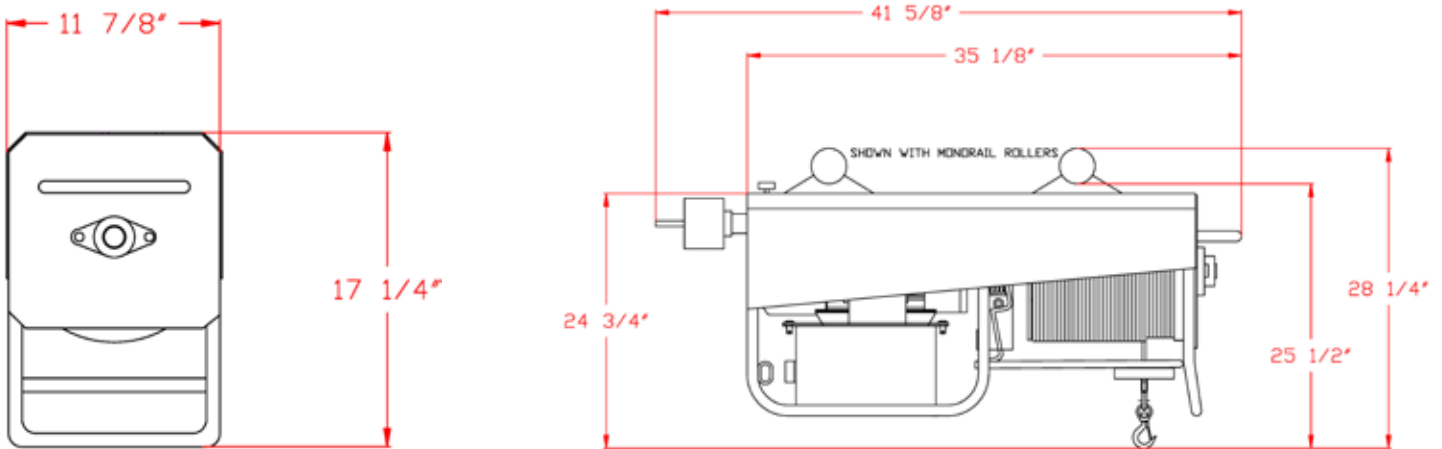
WIRELESS FREEDOM

MODELS

MODEL	LIFTING CAPACITY	LIFTING HEIGHT	DUAL SPEED (FAST/SLOW)	POWER	CABLE
PATRIOT 1000-SR	1,000 LBS	200 FT	85 FPM & 42 FPM	220-240V/1P/60Hz/3HP	1/4"
PATRIOT 2000-SR	2,000 LBS	200 FT	55 FPM & 27 FPM	220-240V/1P/60Hz/3HP	5/16"

MOUNTING OPTIONS

DESCRIPTION	PART ID
MONORAIL ROLLER ASSEMBLY (SET OF 2; FOR USE WITH SMM-11, SMM-12, PT-1 & PT-1E)	PMR
ADJUSTABLE I-BEAM ROLLER KIT (SET OF 2; FITS 3" TO 5-1/4" I-BEAM FLANGE)	PIB-2



NOTE: All Hi-Tech Hoist products are designed for lifting and lowering materials only. They are NOT to be used to transport personnel or lift loads over people. Installation and use must be performed by trained and authorized personnel only and in compliance with any national, state and local regulations.

WIRELESS REMOTE OPERATION



- » **Secure, Reliable & Easy To Use**
- » **No More Pendant Cables**
- » **Easier Setup Than Traditional Hoists**
- » **Greater Operator Mobility**
- » **FCC Certified: No License Required**
- » **Use Multiple Wireless Hoists Without Interference**