

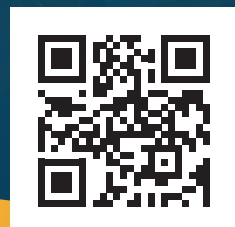


FrenchCreek
FALL SAFETY



2026

FULL LINE PRODUCT CATALOG



fcsafety.com

TABLE OF CONTENTS

WHAT'S NEW?

CHECK OUT THE LATEST RELEASES FROM FRENCHCREEK



8-39



40-48

Full Body Harnesses Pages 8-39

Self-Retracting Lifelines Pages 40-48

Confined Space Systems Pages 49-67

Rescue Pages 68-71

Ladder Safety Systems Pages 72-79

Safety Lanyards Pages 73-95

Anchorage Connectors Pages 96-104

Roofing Safety Pages 105-111

Horizontal Lifeline Systems Pages 112-117

Guardrail System Page 118

Firefighter Belts Page 119



49-67



72-79



73-95



112-117



This catalog does not include our full product line. To explore our complete selection, visit fcsafety.com.



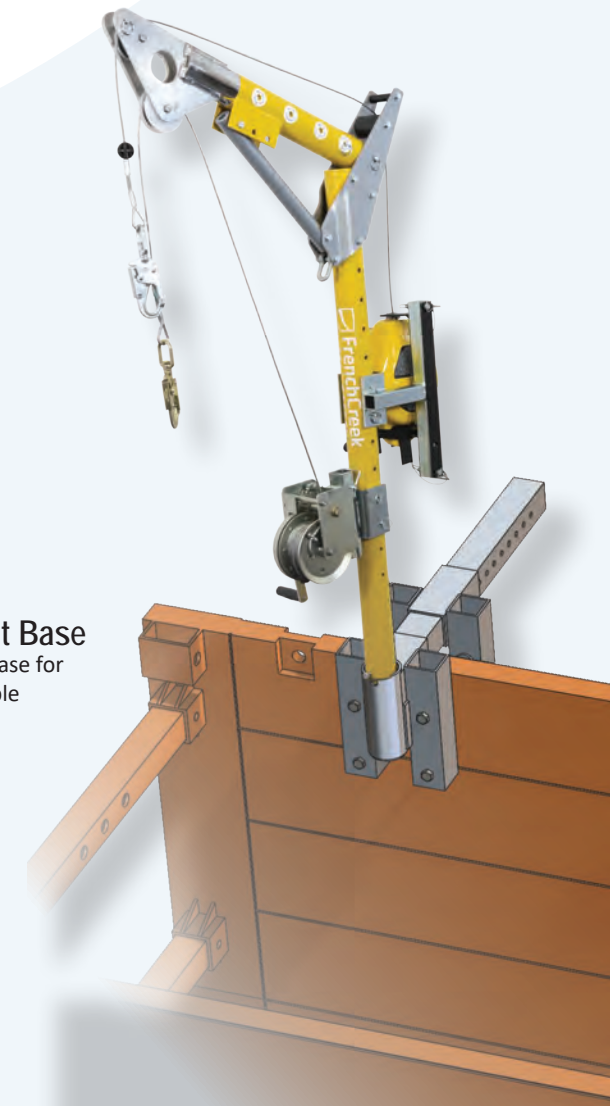
STRATOS 22AL Series
The Stratos is now lighter & stronger than ever.
Page: 13



Rope Positioning Lanyards
New rope positioning lanyards with mechanical ascenders now available.
Page: 91



Concrete Hole Anchor
The new and improved 1772 concrete hole anchor with swiveling action.
Page: 100



Trench-Box Mount Davit Base
A new trench-box mount davit base for thicker walled boxes now available
Page: 64-65

THE INDUSTRIES WE SERVE

CONSTRUCTION



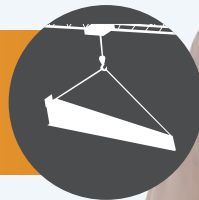
The construction industry plays a significant role in the U.S. economy, employing over 7 million individuals and contributing to the creation of structures worth nearly \$1.4 trillion annually. Unfortunately, falls remain the primary cause of fatalities in this sector. Employers are obligated to supply their workers with appropriate fall protection gear and offer them comprehensive training on its proper usage. The removal of fall hazards from elevated work platforms, raised workstations, and openings in floors and walls is essential for ensuring a secure construction site.

MUNICIPAL WASTEWATER



Not every fall hazard has to be at 300 feet in the air. Local workers servicing a public drainage system or wastewater treatment plant require specific fall protection systems for entering manholes, tanks, and other confined spaces. According to the U.S. Bureau of Labor Statistics from 2011-2018, 1,030 workers died of injuries involving a confined space. It is vital that workers are trained in rescue for these dangerous applications.

STEEL ERECTION



The cities of America were built by the early pioneers of steel erection. We have all seen the photos of men leisurely enjoying lunch on a steel I-beam hundreds of stories above the New York City skyline. Thankfully, long-gone are the days of walking untethered above the world's tallest buildings. However, fall protection hazards still exist in this extreme profession. According to the U.S. Bureau of Labor Statistics Ironworkers have the fifth highest fatality rate (33.4 per 100,000 workers) of any United States civilian worker classification.

TOWER CLIMBING WIND ENERGY



As technology advances into the modern area so does the need for skilled workers to climb new cellphone/communication towers, and wind turbines. Among the industries where workers are falling to their death, tower climbers have experienced fatality rates up to 10 times higher than construction workers. In recent years, new ladder safety devices have been implemented and regulated by OSHA to keep workers safe while climbing a fixed ladder.



GET BACK TO THE BASICS

Make sure you and your team know the basics of fall protection before heading to the jobsite. *It is as easy as ABC.*

A ANCHORAGE



A 1702 Steel I-Beam Anchor

The anchorage is the secure point of the attachment for the fall-arrest system. The appropriate type of anchor varies by industry needs and the application. Anchors may be temporary or permanent.

B BODY SUPPORT



B 22AL870B-BLUE Stratos Full Body Harness

Full body harnesses provide a connection point to the fall arrest system. Harnesses are designed to protect workers in the event of a fall by evenly distributing fall arrest forces over your upper thighs, pelvis, chest and shoulders.

C CONNECTING DEVICE



C M2RG-4Z Rogue Self-Retracting Lifeline

Ties your full body harness to the anchorage point. Commonly used connecting devices include shock absorbing lanyards and self-retracting devices (SRD's).

D DESCENT/RESCUE



D PD1-4 Complete Portable Davit System

It is imperative to have a rescue plan in place at your jobsite in the event of a fall. These devices are used to raise or lower a fallen worker to safety. The tools and training for safe rescue are the last, but most important step in fall protection.

BECOME A DISTRIBUTOR

GROW YOUR BUSINESS WITH FALL PROTECTION YOU CAN TRUST

Enhance Your Product Line & Profits

Become a distributor:

Looking to expand your product line or start a business in the safety equipment industry? Partner with FrenchCreek Fall Safety — a trusted manufacturer dedicated to quality, innovation, and dependable support. Our distributors gain access to proven products, technical expertise, and business resources that help you grow your profitability and serve your customers with confidence.

For nearly 35 years, FrenchCreek has set the standard for innovation in fall protection. Many of today's most recognized harness designs and safety solutions trace their roots back to our original engineering. Our decades of hands-on experience and in-house manufacturing expertise make us more than a supplier—we're an industry leader trusted by professionals who depend on safety done right.



Learn more, and become a distributor today!



Why partner with FrenchCreek?



High-Quality Products

Deliver confidence to your customers with trusted, durable fall protection and safety solutions built for real-world performance.



Leading-Lead times

Keep your customers satisfied with industry-leading turnaround times and over 90 of our most popular products shipping the same or next day.



Sales Training & Support

Empower your team with expert product training and ongoing support designed to boost confidence, strengthen sales, and grow your business.



Superb Customer Service

Experience responsive, personal support every time you call—real people, real solutions, ready to help when you need it most.

READY TO SHIP

STOCK PRODUCTS FROM FRENCHCREEK



These items ship same of next day. All Quickship items are designated with a  symbol.

Model #	Pg#	Model #	Pg#	Model #	Pg#
Full Body Harnesses		Confined Space & Rescue		Lanyards	
22850B harness	14	PD1 davit mast assembly	51	450A lanyard	82
22650B harness	15	PD2 davit portable base	51	440AZ dual-leg lanyard	82
22850BH-ALT harness	18	PD3 mounting bracket	51	444A adjustable lanyard	82
850AB harness	24	PD4 mounting bracket	51	450AB lanyard	83
850B-TS harness	26	PD5 core mount base	53	450AS lanyard	84
550 harness	29	PD6 cast-in-place base	55	440AS dual-leg lanyard	84
650-U harness	29	PD7 floor mount base	57	460A lanyard	87
631 harness	30	PD8 wall mount base	59	460AS lanyard	88
651 harness	30	PD9 barrel-mount base	61	490A lanyard	90
651B harness	30	PD10 hitch-mount base	63	450B positioning lanyard	91
631LJ harness	32	PD11 hitch-mount base	65	Rebar Chain Assemblies	
22850B-TS harness	73	S50G-7 tripod system	66	324-CSZ rebar assembly	92
Bosun Chairs/Work Seats		R50G-TP7 tripod system	66	324-C rebar assembly	92
4151 deluxe work seat	37	S50G-M7 tripod system	66	Anchorage Connectors	
4154 work seat	37	R50G rescue SRL	67	1300-WP tie-off adapter	96
Harnesses Options & Accessories		MW50G material winch	67	1100-WP tie-off adapter	96
TL3 tool lanyard	38	TP7 tripod	67	1300 tie-off adapter	96
1418 d-ring extension	38	TP9 tripod	67	1600VC tie off adapter	97
1418-loop d-ring extension	38	204 winch carry bag	71	1769 steel toggle anchor	98
U-STEP suspension straps	39	206 tripod carry bag	71	1785 door jamb anchor	102
Self-Retracting Lifelines		354-4 carabiner	71	RTO-12 tie-off pole	103
RG3-13-0Z 13' web SRL	41	354-5 carabiner	71	1503 wire hook anchor	104
MRG3-0Z 13' web SRL	42	45 split pulley	71	Roof Safety	
M2RG-4Z 8' web SRL	43	Ladder Safety Systems		RKB-1715-50 roofing kit	105
M2RG-0Z 8' web SRL	43	1401A-38 cable grab	75	411 rope lifeline	106
XR-7W 7' web SRL	45	2-1200A-AT rail trolley	76	410 rope lifeline	106
XR-11G 11' cable SRL	45	2-1224A-AT rail trolley	76	1201N rope grab	108
XR-30G 30' cable SRL	45	5-1501 rail extension	77	1202AN-3 rope grab	108
XR-50LEG 50' LE SRL	47	5-1502B rail extension	77	1201 rope grab	109
XR-30LEG 30' LE SRL	47	4-1000 ladder guard	78	411-50MG grab and lifeline	109
XR-20LEG 20' LE SRL	47	Guardrail System		1401-38 cable grab	109
RL25AGZ 25' cable SRL	48	GR200 guardrail system	118	MRA-R1 roof anchor	110
RL50GZ 50' cable SRL	48			1715 roof anchor	110
354-MR SRL connector	43			1720 roof anchor	109
				1730 roof anchor	110
				1740 roof anchor	110



FULL BODY HARNESSES

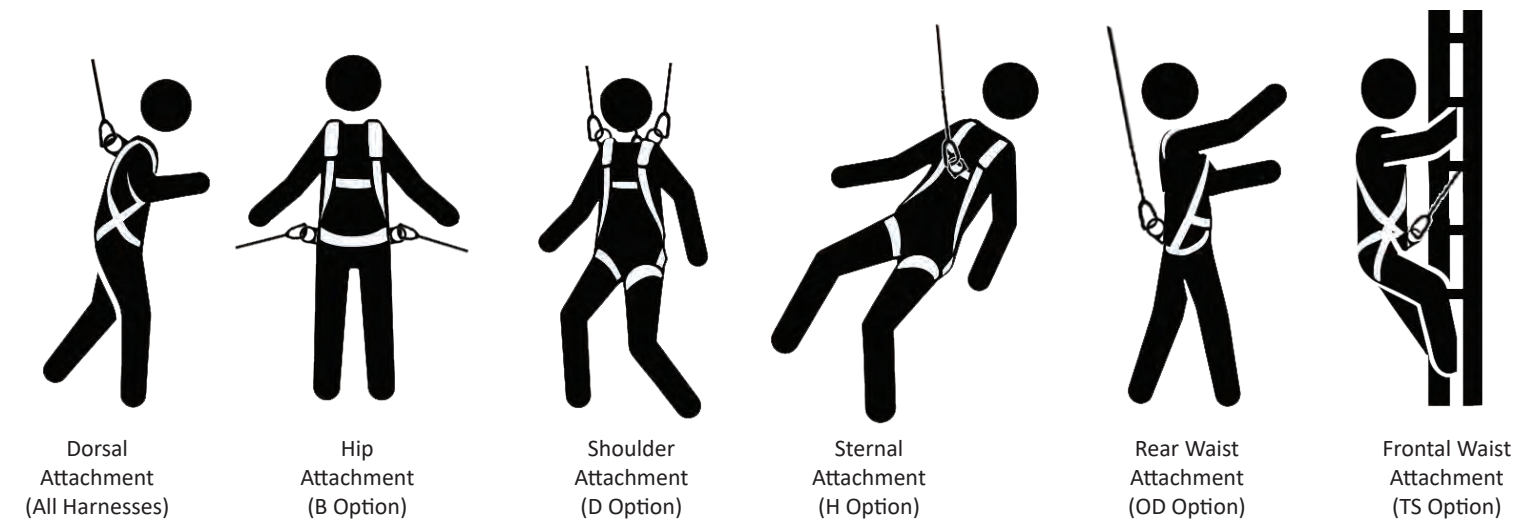
Shown:
22850BH-ALT
STRATOS Full Body Harness



Harness Customization Options

D-ring options

FrenchCreek offers customizable harness D-ring options for any job task. Our diagram clearly shows each D-ring location and its purpose, making it easy to choose the right configuration. We can tailor your harness so every D-ring meets your specific work needs.



Leg Strap Options

Connecting Buckle Options

Choose the style of leg buckle that you prefer.

Available options include:

- ♥ Pass-Thru buckles
- ♥ Tongue buckle/grommet
- ♥ Bayonet buckles

Pass-Thru Buckle



Bayonet Buckle



Tongue Buckle/Grommet



Harness Customization Options

Your Harness, Your Way

At FrenchCreek, we understand that not all job sites are the same. So why should you settle for equipment that doesn't fully meet your job requirements? Sometimes straight off the shelf doesn't cut it. Our industry experts will work with you to provide you with a product that can tackle the toughest job sites.



Option 9
D-Ring Extension



400R
Lanyard Retaining Rings



Option B
Hip-Positioning D-rings



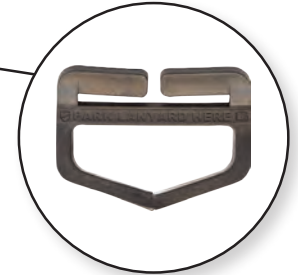
800PS
Removable Suspension Saddle



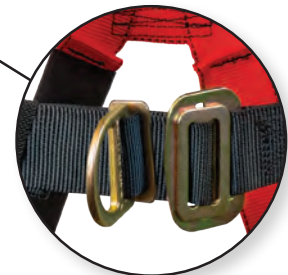
Option W
Waist-Positioning D-ring



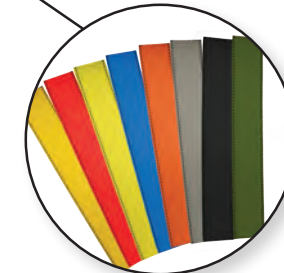
Option D
Shoulder-Positioning D-rings



101R
Removable/Reusable Lanyard Retainer



Option H
Chest-Positioning D-ring



Webbing Colors
Several Color Options Available



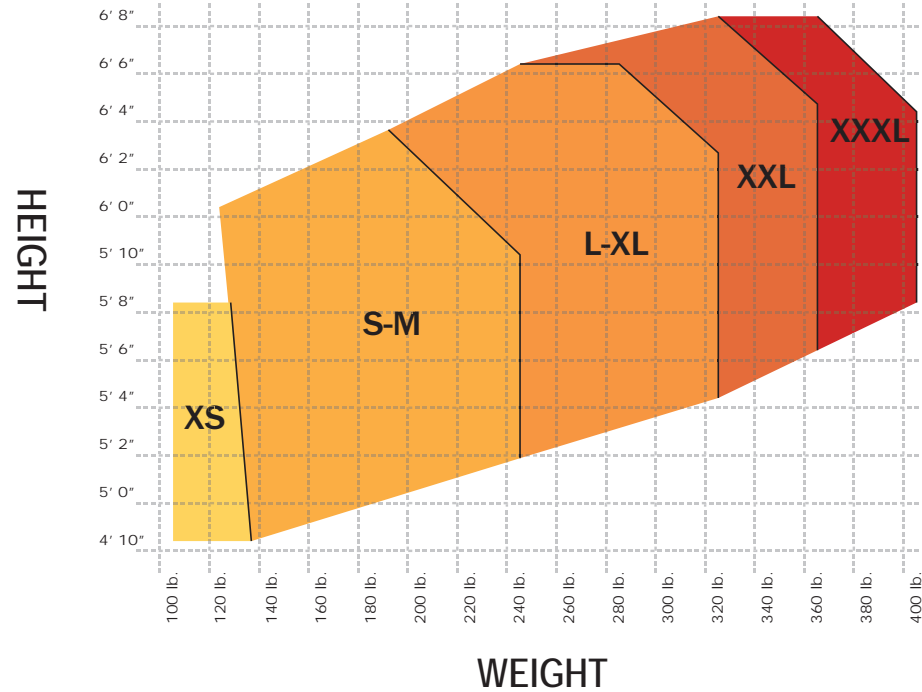
Leg Buckle Options
Choose from:
Bayonet, Tongue & Grommet, Pass-Thru

Scan to view more harness options



Sizing Chart (STRATOS Series Harnesses ONLY)

Choosing the right size harness is a very important safety factor for fall protection. It's not like just choosing the right size T-shirt; just because you wear a XL T-shirt doesn't necessarily mean you wear an XL harness. See the sizing chart below for the appropriate fit for FrenchCreek STRATOS harnesses:



- STEP 1**: Visually inspect the harness
- STEP 2**: Disconnect any buckles
- STEP 3**: Slip on the harness like a jacket
- STEP 4**: Adjust & buckle the waist belt
- STEP 5**: Buckle & adjust the leg straps
- STEP 6**: Adjust the shoulder/torso straps
- STEP 7**: Buckle & adjust the chest strap

STRATOS 22AL SERIES
Lightweight Stratos Series Harness

Built on the foundation of our trusted Stratos series, the 22AL Series harness takes safety and comfort to the next level. Designed with all-aluminum D-rings and hardware, this harness reduces weight without compromising strength or durability, making long days on the job easier on the back and shoulders.

Our **new aluminum cam buckle** allows for fast, precise fitting, ensuring the harness sits correctly on every user for maximum safety and comfort. The 22AL Series harness combines lightweight design, advanced features, and effortless adjustability—engineered for professionals who demand both performance and reliability.

Standard Features Include:

- Comfort back & waist pad
- Aluminum bayonet chest buckle
- Aluminum bayonet leg buckles
- Aluminum D-ring locations
- **New aluminum cam buckle** for easy torso adjustment
- Redesigned with a **lighter build than the original Stratos**

Lighten
UP!

22AL870B-BLUE

22AL670B-BLUE

Aluminum chest buckle

Aluminum cam buckle

Aluminum D-rings

Aluminum leg buckles

22AL870B-BLUE
6-point adjustment with comfort waist pad
All aluminum hardware (D-rings, buckles)
Aluminum cam buckle
Hip positioning D-rings
Aluminum bayonet buckle leg straps

Available Options:

The 22AL series is available in **most popular configurations** of our original Stratos series Harness. Including:

22AL870B-BLUE - 6 point adjustment, waist pad, hip d-rings, quick-connect legs.

22AL670B-BLUE- 5 point adjustment, hip d-rings, quick-connect legs.

Custom options available!

STRATOS SERIES

Full Body Harnesses (2200 Series)

The innovative STRATOS Series full body harness exceeds expectations at the highest level. Designed with safety, durability, and maximum comfort, the FrenchCreek STRATOS Series hits the mark.

- ♥ Air-mesh comfort shoulder, back, and leg pads
- ♥ Adjustable floating chest strap
- ♥ Break-away lanyard parking retainer
- ♥ Bayonet buckle chest straps
- ♥ Most options, accessories & color choices available
- ♥ Available in sizes XS, S-M, L-XL, 2XL, 3XL



22850B
 6-point adjustment with comfort waist pad
 Hip positioning D-rings
 Tongue buckle/grommet leg adjustments
 In stock sizes S-M, L-XL



22650
 5-point adjustment
 Tongue buckle/grommet legs



22670
 5-point adjustment
 Bayonet leg buckles



226509B
 5-point adjustment
 Hip positioning D-rings
 D-ring extension
 Tongue buckle/grommet legs



22650B
 Ⓢ L-XL size quickship only
 5-point adjustment
 Hip positioning D-rings
 (No D-ring extension)
 Tongue buckle/grommet legs
 In stock size L-XL

22670B
 5-point adjustment
 Hip positioning D-rings
 Bayonet leg buckles



22850
6-point adjustment with waist pad
Tongue buckle/grommet legs



Q 22850B
6-point adjustment
Hip positioning D-rings
Comfort waist pad
Tongue buckle/grommet legs
In stock sizes **S-M, L-XL**



22950
4-point adjustment cross-over style
Tongue buckle/grommet legs



22950B
4-point adjustment cross-over style
Hip positioning D-rings
Tongue buckle/grommet legs



22870
6-point adjustment with waist pad
Bayonet leg buckles



22870B
6-point adjustment
Hip positioning D-rings
Bayonet leg buckles



22970
4-point adjustment cross-over style
Bayonet leg buckles



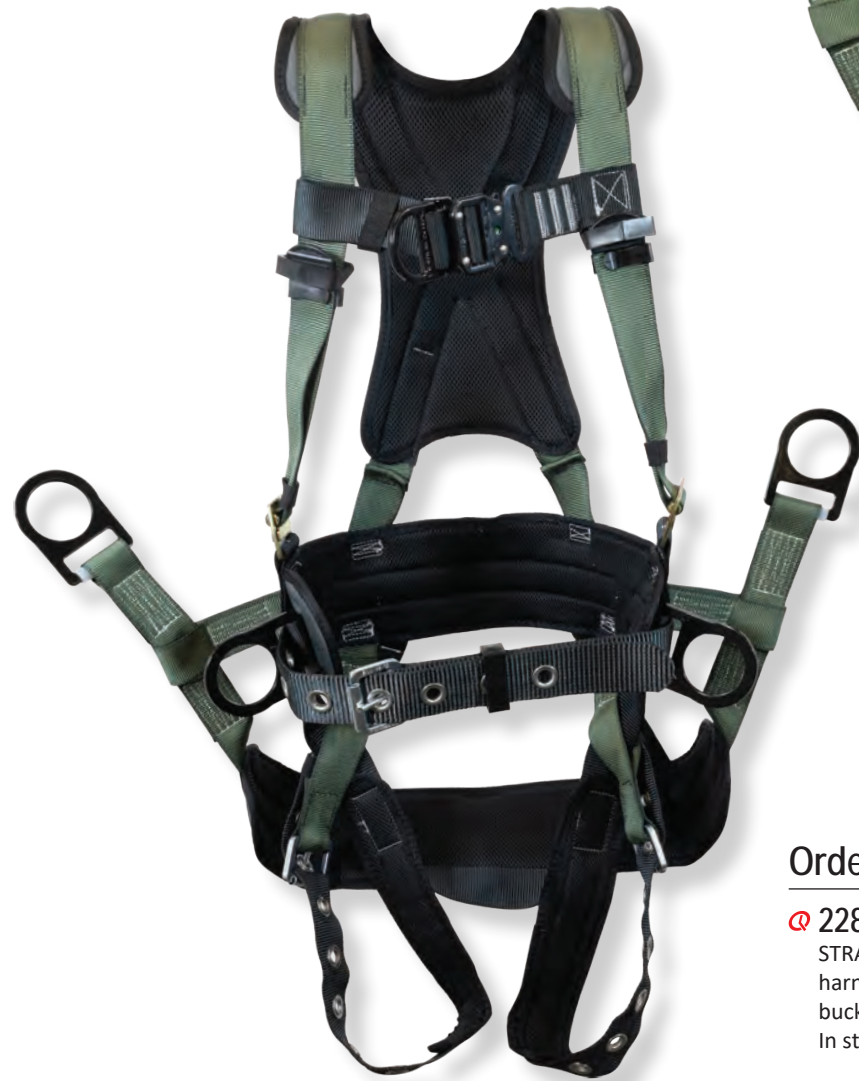
22970B
4-point adjustment cross-over style
Hip positioning D-rings
Bayonet leg buckles

STRATOS SERIES

Full Body Tower Climbing Harness

FrenchCreek has designed one of the most lightweight and comfortable tower climbing harnesses in the industry. The air mesh padding combined with the suspension saddle makes the STRATOS tower climbing harness the work horse of the industry.

- ♥ 6-point adjustment with waist pad
- ♥ Hip-positioning D-ring
- ♥ Sternum D-rings
- ♥ Suspension saddle with D-rings and aluminum workseat
- ♥ Most options, accessories & color choices available



Ordering Options

22850BH-ALT
STRATOS tower climbing harness with tongue buckle/grommet legs
In stock sizes **S-M, L-XL**



22870BH-ALT
STRATOS tower climbing harness with bayonet leg buckles

STRATOS SERIES

Full Body Oil Derrick Harness

FrenchCreek has designed this version of the STRATOS Series harness to meet the specific demands of the oil industry. Excellent for fall protection and positioning, this harness features an oil derrick pad waist belt, and suspension saddle for climbing the rig.

- ♥ Air-mesh comfort shoulder, back, and leg pads
- ♥ Adjustable floating chest strap
- ♥ Break-away lanyard parking retainer
- ♥ Bayonet buckle chest straps
- ♥ Most options, accessories & color choices available
- ♥ Available in sizes **XS, S-M, L-XL, 2XL, 3XL**



Ordering Options

228509BT-OD
STRATOS oil derrick harness with tongue buckle/grommet legs



228709BT-OD
STRATOS oil derrick harness with bayonet leg buckles

STRATOS SERIES

Maximum Comfort Full Body Harness

The 22850B-HD version of the STRATOS full body harness provides maximum comfort for all day use. The air-mesh lumbar pad has been doubled in thickness to provide maximum support and comfort. Additional gear loops have been added to the back of the harness for easier tool carrying at work-sites.

- ♥ Air-mesh comfort shoulder, back and leg pads
- ♥ Adjustable floating chest strap
- ♥ Break-away lanyard parking retainer
- ♥ Bayonet buckle chest strap
- ♥ Most options, accessories & color choices available



Additional equipment/gear loops



Additional comfort padding

22850B-HD

6-point adjustment with extra-thick comfort waist pad
Hip-positioning D-rings
Tongue buckle/grommet legs
Additional equipment/gear loops

STRATOS SERIES LANYARDS

Shock absorbing lanyards (2200 Series)

All STRATOS lanyards come in 6' lengths with black webbing, and meet the performance requirements of ANSI Z359. Other lengths and snaphook combinations are available. FrenchCreek lanyards are constructed from nylon and polyester webbing and are rated from 130-310 lbs. per ANSI and exceed OSHA requirements.



22450A

6' pack style shock absorbing lanyard
1" wide webbing
Z74 locking snaphooks each end



22450AS

6' pack style shock absorbing lanyard
1 3/8" wide tubular webbing
Relaxed length of 4 1/2'
Z74 locking snaphooks each end



22440AS

6' 100% tie-off pack style shock absorbing lanyard
1 3/8" wide tubular webbing
Relaxed length of 4 1/2'
Z74 locking snaphooks each end



22420A

6' 100% tie-off shock absorbing lanyard
1 3/8" wide tubular webbing
Z74 locking snaphooks each end



22420AS

6' 100% tie-off tubular style shock absorbing lanyard
2" wide tubular webbing
Relaxed length of 4 1/2'
Z74 locking snaphooks each end

22030B
Navigator Full Body Harness

Constructed of 1-3/4" wide webbing and air-mesh padding, the Navigator offers maximum comfort for all day use. The capabilities for the Navigator are nearly endless, with several D-ring connections and "pick-points" perfect for high angle rescue, tower climbing, and other tactical applications.

- ♥ Wide waist belt & lumbar pad
- ♥ Comfort air-mesh padding on shoulders, back & legs
- ♥ Front sternum attachment point, perfect for rescue
- ♥ Several equipment/gear loops & attachment points
- ♥ Most options, accessories, & color choices available
- ♥ Available in sizes: XS, S-M, L-XL, XXL



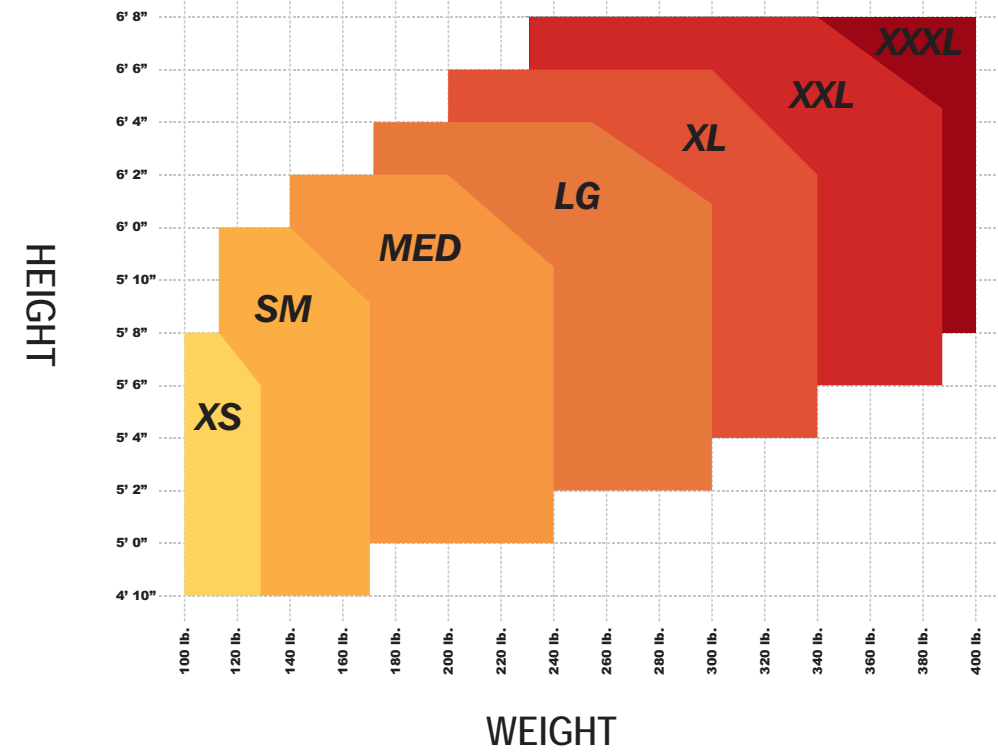
Ordering Options

22030B-BLK
 Standard Navigator harness
 with fixed leg buckles

22070B-BLK
 Standard Navigator harness
 with bayonet leg buckles

Sizing Chart (500, 600, 800 & 900 series harness)

Choosing the right size harness is a very important safety factor for fall protection. It's not like just choosing the right size T-shirt; just because you wear a XL T-shirt doesn't necessarily mean you wear an XL harness. See the sizing chart below for the appropriate fit for FrenchCreek harnesses:



- STEP 1**
Visually inspect the harness
- STEP 2**
Disconnect any buckles
- STEP 3**
Slip on the harness like a jacket
- STEP 4**
Adjust & buckle the waist belt
- STEP 5**
Buckle & adjust the leg straps
- STEP 6**
Adjust the shoulder/torso straps
- STEP 7**
Buckle & adjust the chest strap

800 Series
Full Body Harnesses

The 800 series harnesses are extremely durable and comfortable. With a range that is extensive with a suitable model for everyone and every job, the 800 series is a long-time favorite in the construction industry and many others.

- ♥ Adjustable shoulder, chest, waist and leg straps
- ♥ Sliding back D-ring
- ♥ 6" wide comfort waist pad w/removable heavy duty tool belt
- ♥ Lightweight, high strength synthetic webbing
- ♥ Available in sizes: XS, S, M, L, XL, 2XL, 3XL



- Q **850AB**
- 6-point adjustment
- Shoulder pads
- Hip-positioning D-rings
- Tongue buckle/grommet legs
- In stock sizes S-XXL

872 Series
Women's Full Body Harness

The FrenchCreek full body harness for women is designed with form-fitting comfort; utilizing the combination of lightweight, synthetic, high-strength certified webbing.

- ♥ Available in sizes: XS, S-M, L-XL, XXL, XXXL



Female fit leg straps



- 872B**
- 6-point adjustment
- Female fit leg straps
- Hip positioning D-rings
- Bayonet chest buckle
- Bayonet leg buckles



- 872AB**
- 6-point adjustment
- Female fit leg straps
- Hip positioning D-rings
- Shoulder pads
- Bayonet chest buckle
- Bayonet leg buckles



- 872**
- 6-point adjustment
- Female fit leg straps
- Bayonet chest buckle
- Bayonet leg buckles

Harness Options & Configurations (additional options available)								
Model #	Leg Buckles	Chest Buckle	Shoulder Pads	Dorsal D-ring	Hip D-rings	Shoulder D-rings	Chest D-ring	Waist D-ring
Q 850AB	grommet	mating	✓	✓	✓	✗	✗	✗
850	grommet	mating	✗	✓	✗	✗	✗	✗
850A	grommet	mating	✓	✓	✗	✗	✗	✗
850B	grommet	mating	✗	✓	✓	✗	✗	✗
870	bayonet	bayonet	✗	✓	✗	✗	✗	✗
870A	bayonet	bayonet	✓	✓	✗	✗	✗	✗
870B	bayonet	bayonet	✗	✓	✓	✗	✗	✗
870AB	bayonet	bayonet	✓	✓	✓	✗	✗	✗
Q 850B-TS	grommet	mating	✗	✓	✓	✗	✗	✓
850ABH	grommet	mating	✓	✓	✓	✗	✓	✗
850ABD	grommet	mating	✓	✓	✓	✓	✗	✗
833	mating	mating	✗	✓	✗	✗	✗	✗

See page 9 for D-ring and buckle options.

800 Series
Tower Climbing Harnesses

FrenchCreek tower climbing harnesses are designed to meet the specific safety and functional needs for climbing towers.

Available in sizes: XS, S, M, L, XL, 2XL, 3XL

850ABTH

- 6-point adjustment
- Sternum D-ring
- Accessory rings
- Suspension saddle with D-rings
- Hip-positioning D-rings
- Tongue buckle/grommet legs



800PS

- Removable saddle for comfort
- Positioning and suspension applications
- Must be used in conjunction with a full body harness
- Can be integrated into any 800 series belt/pad



850B-TS

- 6-point adjustment
- Waist D-ring for vertical climbing systems
- Hip-positioning D-rings
- Tongue buckle/grommet legs
- In stock sizes M, L, XL



887PBT

- 6-point adjustment
- Adjustable sternum D-ring
- Back pad
- Accessory rings
- Fixed rigid suspension saddle
- Hip-positioning D-rings
- Tongue buckle/grommet legs



897ABT

- 6-point adjustment
- Adjustable sternum D-ring
- Back pad
- Accessory rings
- Removable suspension saddle
- Hip-positioning D-rings
- Tongue buckle/grommet legs



800 Series
Full Body Oil Derrick Harness

FrenchCreek's 800 series oil derrick harnesses are perfect for workers who operate on the monkey board. Built for extreme comfort and convenience, this harness is built for prolonged shifts where practical fall protection is needed.

- ♥ 6" comfort waist belt
- ♥ Hip-positioning D-rings
- ♥ Removable 8" wide belly pad
- ♥ Seat sling with positioning D-rings
- ♥ Back positioning waist D-rings
- ♥ Most options, accessories, & color choices available
- ♥ Available in sizes XS, S, M, L, XL, 2XL, 3XL



8D1509ABT
800 series oil derrick harness
Tongue buckle/grommet legs



500 Series
Full Body Harnesses

The 500 series is a favorite for maintenance and light construction. Standard features include:

- ♥ Adjustable shoulder, chest, waist, and leg straps
- ♥ Integral 1-3/4" waist belt
- ♥ Sliding back D-ring
- ♥ Lightweight high strength synthetic webbing
- ♥ Available in sizes XS, S, M, L, XL, 2XL, 3XL

Harness Options & Configurations (additional options available)							
Model #	Leg Buckles	Chest Buckle	Dorsal D-ring	Hip D-rings	Shoulder D-rings	Chest D-ring	Waist D-ring
Q 550	grommet	mating	✓	✗	✗	✗	✗
530	mating	mating	✓	✗	✗	✗	✗
550B	grommet	mating	✓	✓	✗	✗	✗
570	grommet	bayonet	✓	✗	✗	✗	✗

See page 9 for D-ring and buckle options.

- Q 550
6-point adjustment
Tongue buckle/grommet legs
In stock sizes S, M, L, XL, XXL



600 Series
Full Body Harnesses

The 600 series harnesses incorporate a lightweight design that will give your workers the freedom of movement when working at any height. Standard features include:

- ♥ Adjustable shoulder, chest and leg straps
- ♥ Sub-pelvic strap
- ♥ Sliding back D-ring
- ♥ Lightweight, high-strength synthetic webbing
- ♥ Available in sizes XS, S, M, L, XL, 2XL, 3XL

Harness Options & Configurations (additional options available)							
Model #	Leg Buckles	Chest Buckle	Dorsal D-ring	Hip D-rings	Shoulder D-rings	Chest D-ring	Waist D-ring
Q 650-U	grommet	mating	✓	✗	✗	✗	✗
650B	mating	mating	✓	✓	✗	✗	✗
630	mating	mating	✓	✗	✗	✗	✗
630B	mating	mating	✓	✓	✗	✗	✗

See page 9 for D-ring and buckle options.

- Q 650-U
5-point adjustment
Sub-pelvic strap
Tongue buckle/grommet legs
One universal size



601 Series
Full Body Harnesses (lightweight series)

The 601 series harnesses are lightweight, versatile, and easy to use. A great overall choice for general construction or roofing. Standard features include:

- ♥ 3-point adjustment (chest and leg straps)
- ♥ Sliding back D-ring
- ♥ Lightweight, high strength synthetic webbing
- ♥ **TWO UNIVERSAL SIZES ONLY (S-M and M-XL)**



Q 651
3-point adjustment
Hip-positioning D-rings
Tongue buckle/grommet legs
Quickship M-XL only



Q 631
3-point adjustment
Mating leg buckles
In stock sizes S-M, M-XL

900 Series
Full Body Harnesses (cross-over style)

The 900 series can be used in a multitude of applications. The harness is donned by a step-thru procedure that is quick and easy. Standard features include:

- ♥ Front cross-over style
- ♥ Adjustable shoulder and leg straps
- ♥ Chest D-ring for positioning, suspension and rescue
- ♥ Lightweight, high strength synthetic webbing
- ♥ Sternal D-ring
- ♥ Available in sizes XS, S, M, L, XL, 2XL, 3XL



930
4-point adjustment cross-over style
Pass-thru leg buckles



930B
4-point adjustment cross-over style
Hip-positioning D-rings
Pass-thru leg buckles



950
4-point adjustment cross-over style
Tongue buckle/grommet legs



950B
4-point adjustment cross-over style
Hip-positioning D-rings
Tongue buckle/grommet legs

Harness Options & Configurations (additional options available)

Model #	Leg Buckles	Chest Buckle	Dorsal D-ring	Hip D-rings	Shoulder D-rings	Chest D-ring	Waist D-ring
Q 631	mating	mating	✓	✗	✗	✗	✗
631B	mating	mating	✓	✓	✗	✗	✗
631D	mating	mating	✓	✗	✓	✗	✗
Q 651	grommet	mating	✓	✗	✗	✗	✗
Q 651B	grommet	mating	✓	✓	✗	✗	✗
651D	grommet	mating	✓	✗	✓	✗	✗
651H	grommet	mating	✓	✗	✗	✓	✗
671	bayonet	bayonet	✓	✗	✗	✗	✗

See page 9 for D-ring and buckle options.

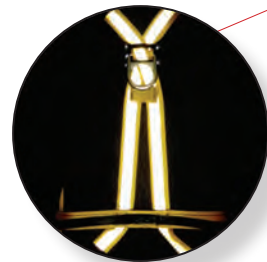
Specialty Full Body Harnesses

In many situations a specialty harness may be necessary for ensured safety. These harnesses meet the specific industry requirements and help workers in these fields work safely.

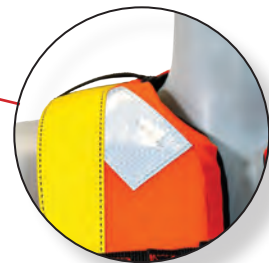
The coefficient of retro-reflection for the 552 and the 631LJ harnesses have an initial value of 700 and a minimum value of 330 per ANSI/ISEA 107-2015

Available in sizes: XS, S, M, L, XL, 2XL, 3XL

- 552
- 5-point adjustable harness
- Miner's harness with lamp and battery straps
- Dual lanyard retaining rings each shoulder
- Radio loops
- Tongue buckle/grommet legs
- 152" of reflective material



Reflective Material



Reflective Material

- 631LJ
- 3-point adjustable harness
- Pass-thru leg straps
- Built in life jacket **Type 3 PFD**
- Life jacket comes in universal size: S-XXL

Arc Flash Full Body Harnesses

FrenchCreek's arc flash harnesses offer fall protection, protecting workers from falls caused by electric arc-blast exposure. These harnesses are made from heat & flame resistant webbing.

Flame resistant fabric has an arc rating of 8.6 CAL/CM² per ASTM 1959 and is ASTM F1506 compliant with an NFPA 70E rating of category 2.

- AF630KDE
- Kevlar® webbing
- Dielectric hardware(chest, shoulder, leg)
- Dielectric back D-Ring
- Flame resistant label cover
- Available in sizes: XS, S, M, L, XL, 2XL, 3XL
- Harness Meets:
- ASTM F887-13
- ANSI Z359.1-2007
- OSHA 1910.269 & 1926.54



- AF390AKZ
- 6' Kevlar® shock absorbing lanyard
- Flame resistant shock-pack & label cover
- Harness choke loop
- #Z74 (3/4" opening) locking snaphook
- Lanyards Meets:
- ASTM F887-13
- ANSI Z359.1-2007
- OSHA 1910.269 & 1926.54



- AF390AKDLZ
- 6' Kevlar® Dual-leg shock absorbing lanyard
- Flame resistant shock-pack & label cover
- Harness choke loop
- #Z74 (3/4" opening) locking snaphooks
- Lanyards Meets:
- ASTM F887-13
- ANSI Z359.1-2007
- OSHA 1910.269 & 1926.54



631KUT
 Kevlar® webbing
 Dielectric back D-Ring
 Flame resistant buckle covers
Available in sizes: S-M, M-XL



630UT
 Utility harness, no metal above the waist
 Buckle insulators
 Sliding back web loop
Available in sizes: XS, S, M, L, XL, 2XL, 3XL

Welding
 Full Body Harnesses & Accessories

FrenchCreek manufactures these harnesses out of high-strength Kevlar webbing that meets the heat and flame resistance requirements that occur in harsh environments.

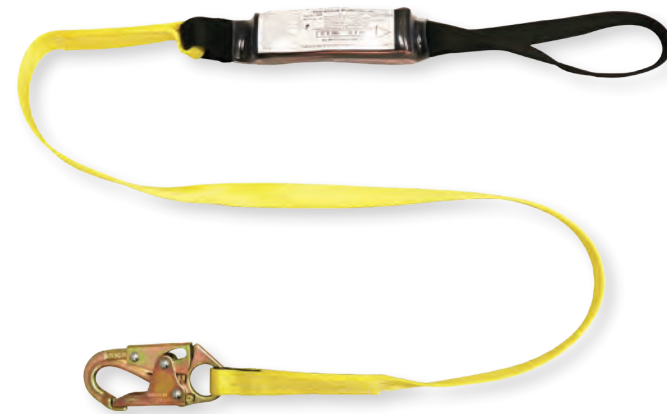
Flame resistant fabric has an arc rating of 8.6 CAL/CM² per ASTM 1959 and is ASTM F1506 compliant with an NFPA 70E rating of category 2.



530-HOT
 6 point adjustment with waist pad
 Kevlar® webbing
 Pass-thru leg buckles
Available in sizes: XS, S, M, L, XL, 2XL, 3XL



347AS-135A
 6' Dual-leg elastic shock absorbing lanyard
 #135A (2 1/2" gate opening) aluminum snaphooks
 Harness choke loop



355A
 6' shock absorbing lanyard
 #274 (3/4" opening) snaphook
 Harness choke loop



631-HOT
 3 point adjustment
 Kevlar® webbing
 Pass-thru leg buckles
Available in sizes: S-M, M-XL



631B-HOT
 3-point adjustment
 Kevlar® webbing
 Hip positioning D-rings
 Pass-thru leg buckles
Available in sizes: S-M, M-XL



400SC-FR
 Flame resistant strap covers
 Covers chest and shoulder straps
 Fits most harnesses



400BC
Flame resistant buckle covers
Installs with velcro closure



RL32V
32' composite-coated wire rope SRL (composite coated wire rope helps to eliminate arc from welding)
#RL-28 (3/4" opening) locking swivel snap
#354-4 (1" opening) carabiner for anchoring
Class "1" SRL

4000 Series
Bosun's Chairs & Workseats

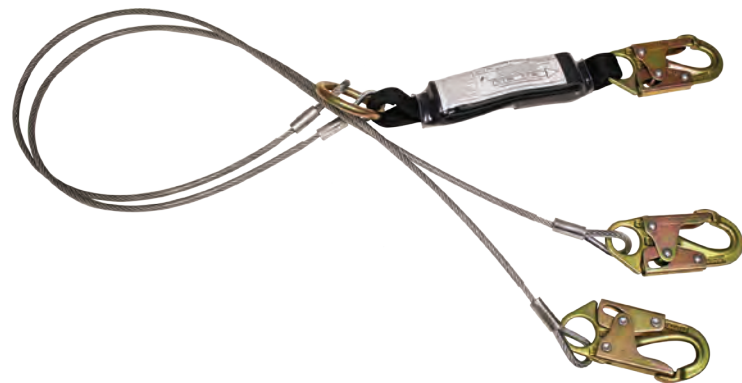
FrenchCreek manufactures a wide variety of exceptionally comfortable work seats and Bosun's chairs that are useful for inspection work, window washing, painting and maintenance. Seats manufactured out of 3/4" rigid board.



4154
12" x 24" Work Seat
Built-in universal size harness
Spreader bar and yoke



4151
21" x 16" Deluxe Work Seat
Built-in universal size harness
Spreader bar and yoke



480AK
Vinyl coated wire rope shock absorbing lanyard
Kevlar® web shock-pack
#Z74 locking snaphooks on each end
Pack style shock absorber



490AK
Kevlar® web shock absorbing lanyard
#Z74 (3/4" opening) locking snaphooks on each end
Pack style shock absorber



4153
21" x 16" Deluxe Work Seat
Does not include harness



4754
12" x 24" Work Seat
Built-in universal size harness
Tongue buckle/grommet legs
Removable waist belt

TL3 Series
Tool Lanyards

The sidekick tool lanyard from FrenchCreek eliminates the hazard of dropped objects when working at heights. To use, simply attach your tool with the provided carabiner or constrict the cord to the tool.

- ♥ 2' relaxed length, 3'-6' stretch
- ♥ Adjustable cinch cord for tool attachment
- ♥ Fits tools of various shapes and sizes



@ TL3
Single leg tool lanyard

TL3DL
Dual leg tool lanyard

1418 Series
D-Ring Extension Straps

D-ring extension straps are an accessory to a fall protection harness. The strap is used to extend the back D-ring attachment point.

@ 1418
D-Ring Extension Strap
Z74 Locking Snaphook
Connects to Harness D-ring



@1418-LOOP
D-Ring Extension Strap
Choke-loop to Harness D-ring



U-STEP
Suspension Trauma Relief Straps

The U-STEP is to be used in conjunction with a full body harness and a complete fall prevention/rescue program. It can be attached to most harness sizes, styles and brands. This accessory can stop the deadly effects of suspension trauma.

- ♥ 2 lightweight "packs" easily attach to harness
- ♥ After a fall, the worker can pull out webbing from packs
- ♥ Worker connects the locking clasps to form a loop
- ♥ Worker can stand in the leg loop to relieve trauma

@ U-STEP
Pair of suspension trauma straps
Choked thru harness to attach
Adjustable



STEP 3.
Step into web loop
with both feet



STEP 1.

Pull U-Step straps out from the side. (pull firmly so stitch breaks)



STEP 2.
Adjust to appropriate length
and buckle straps together

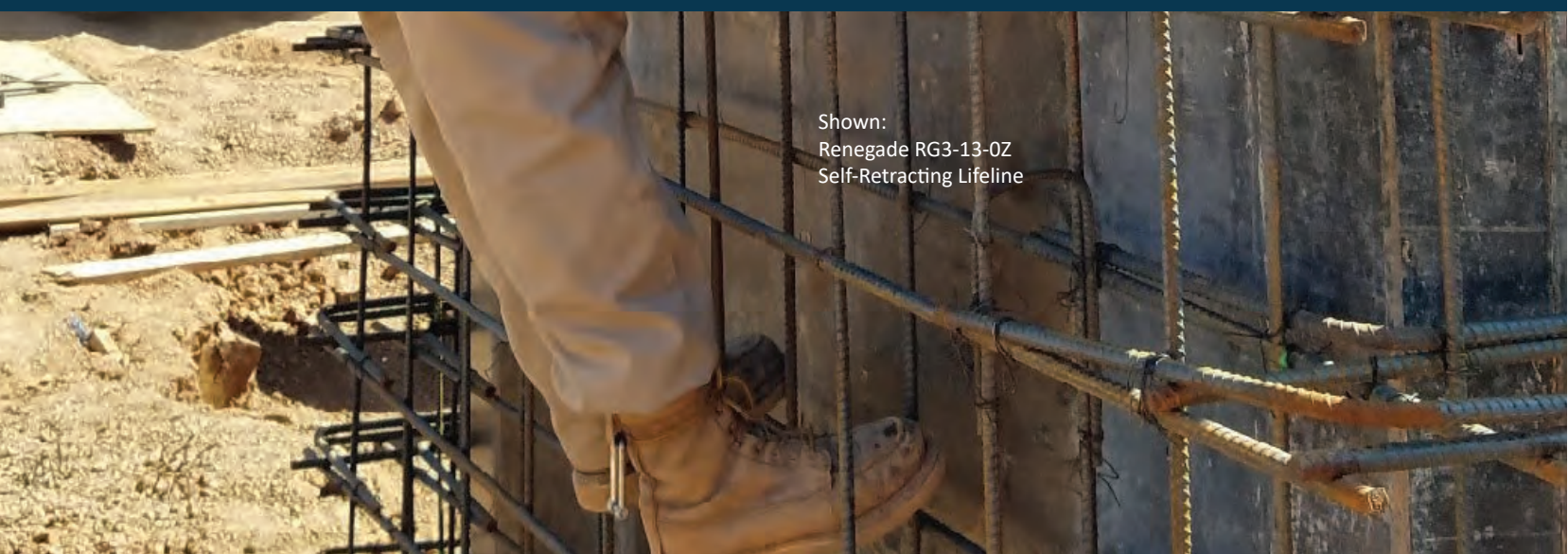


STEP 4.
Stand vertical in
web loop to relieve
harness tension





SELF-RETRACTING LIFELINES



Shown:
Renegade RG3-13-0Z
Self-Retracting Lifeline

Renegade Series
13' Compact Self-Retracting Lifeline

The Renegade series provides durability and confidence expected by professionals. Featuring 13 ft. of working capacities with quick fall arrest capability, the Renegade will never let you down.

- ♥ 13' of working length
- ♥ Capacity 130-310 lbs. ANSI, OSHA 400 lbs.
- ♥ No annual factory certification required
- ♥ Short fall arrest Class "1" SRL

Variety of 5,000lb connectors



#Z74
Snap

#62
Carabiner

Heavy Duty
Corrosive resistant housing made of aluminum and stainless steel.

Swivel Anchor Loop
Swivels 360° to limit line twisting for smooth operation.

Impact Indicator
Visual impact indicator warns that the unit has experienced fall-arrest forces and must be removed from service.

Compact Shock Pack
Shock absorbing pack minimizes fall arrest forces.

Class
1
Anchor at or above dorsal D-ring

Weight Capacity
Renegade series meets:
ANSI requirement 130-310 lbs.

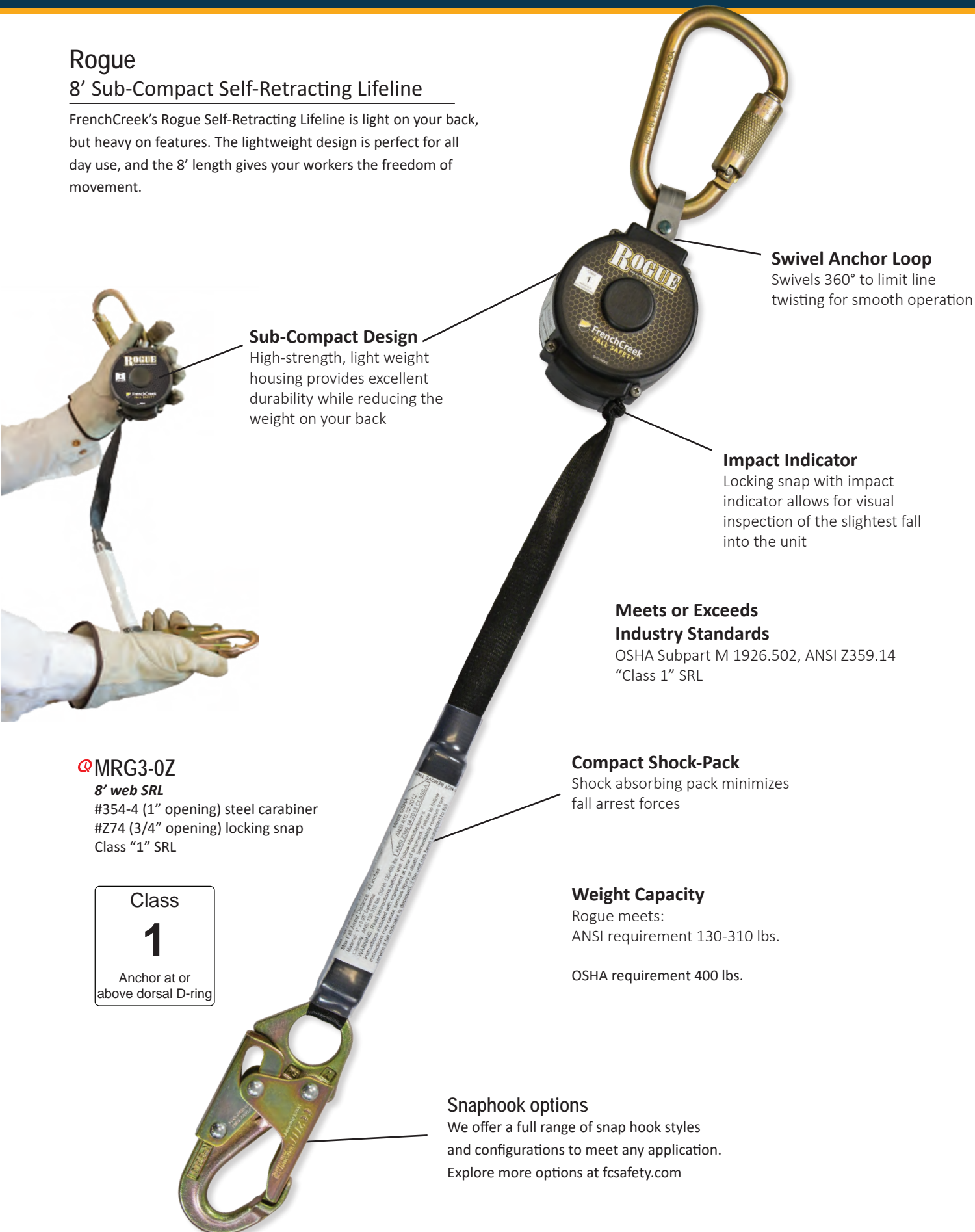
OSHA requirement 420 lbs. or less

Snaphook options
We offer a full range of snap hook styles and configurations to meet any application. Explore more options at fcsafety.com



Rogue
8' Sub-Compact Self-Retracting Lifeline

FrenchCreek's Rogue Self-Retracting Lifeline is light on your back, but heavy on features. The lightweight design is perfect for all day use, and the 8' length gives your workers the freedom of movement.



Sub-Compact Design
High-strength, light weight housing provides excellent durability while reducing the weight on your back

Swivel Anchor Loop
Swivels 360° to limit line twisting for smooth operation

Impact Indicator
Locking snap with impact indicator allows for visual inspection of the slightest fall into the unit

Meets or Exceeds Industry Standards
OSHA Subpart M 1926.502, ANSI Z359.14
"Class 1" SRL

Compact Shock-Pack
Shock absorbing pack minimizes fall arrest forces

Weight Capacity
Rogue meets:
ANSI requirement 130-310 lbs.
OSHA requirement 400 lbs.

Snaphook options
We offer a full range of snap hook styles and configurations to meet any application. Explore more options at fcsafety.com

MRG3-0Z
8' web SRL
#354-4 (1" opening) steel carabiner
#274 (3/4" opening) locking snap
Class "1" SRL

Class 1
Anchor at or above dorsal D-ring

Rogue Dual-Leg (SRL-P)
8' Sub-Compact Self-Retracting Lifeline

The Rogue features a Dual-leg configuration perfect for 100% tie-off allowing a worker to move freely and transition from anchor point to anchor point safely.



M2RG-4Z
8' dual-leg web SRL
#354-4 (1" opening) steel carabiner
(2) #ZZ136 (2 1/2" opening) locking rebar snaps
Class "1" SRL

M2RG-0Z
8' dual-leg web SRL
#354-4 (1" opening) steel carabiner
(2) #274 (3/4" opening) locking snap
Class "1" SRL



354-MR
Dorsal connector for personal SRL's
Triple action sliding gate
2" open capacity
Two-press to release buttons
*Optional for quick dual leg connection

Dual-leg Attachment

The Dual-leg configurations of the Rogue SRL attaches underneath the web loop of the harness, allowing the fall arrest D-Ring to still be usable.

*354-MR is an optional connector for quick and easy personal SRL attachment.

OUTLAW

Self-Retracting Lifelines

Internal Energy Absorption System
Reduces fall arrest forces and minimizes free fall distance should a fall occur.

Weight Capacity
Outlaw series meets:
ANSI requirement 130-310 lbs.

OSHA requirement 400 lbs.

Impact Indicator
Locking snap with impact indicator allows for visual inspection of the slightest fall into the unit

Class
1
Anchor at or above dorsal D-ring

Meets or Exceed Industry Standards
OSHA Subpart M 1926.502, ANSI Z359.14-2021

Lifeline Constituents
Choose the cable type to meet the specific needs of your job requirement:
Galvanized Steel
Stainless Steel
Technora® synthetic rope

Short Fall Arrest Activation
Unit will stop a fall within inches, reducing fall distances and reducing fall arrest forces to 1,800 lbs., or less

Swivel Anchor Loop
Swivels 360° to limit line twisting for smooth operation

Light, Durable Housing
High-strength, light weight housing provides excellent durability

Outlaw Series Self-Retracting Lifeline (XR Series)

The Outlaw Series SRL's provide durability and confidence expected by professionals. With 7, 11, and 30 feet of working capacity and short fall arrest capability, the Outlaw will never let you down.

XR-7W



XR-7W
7' web SRL
#354-4 (1" opening) steel carabiner
#274 (3/4" opening) locking snap
Class "1" SRL

XR-11G



XR-11G
11' galvanized steel cable SRL
#354-4 (1" opening) steel carabiner
RL-28 (3/4" opening) locking snap
Class "1" SRL

XR-11S
11' stainless steel cable SRL

XR-11T
11' Technora® synthetic rope SRL

XR-30G



XR-30G
30' galvanized steel cable SRL
#354-4 (1" opening) steel carabiner
RL-28 (3/4" opening) locking snap
Class "1" SRL

XR-30S
30' stainless steel cable SRL

XR-30T
30' Technora® synthetic rope SRL

OUTLAW

Leading Edge Self-Retracting Lifelines

Internal Energy Absorption System
Reduces fall arrest forces and minimizes free fall distance should a fall occur.

Weight Capacity
Outlaw series meets:
ANSI requirement 130-310 lbs.

OSHA requirement 400 lbs.

Impact Indicator
Locking snap with impact indicator allows for visual inspection of the slightest fall into the unit.

Class
2
Anchor above or below dorsal D-ring

Meets or Exceed Industry Standards
OSHA Subpart M 1926.502, ANSI Z359.14-2021

Swivel Anchor Loop
Swivels 360° to limit line twisting for smooth operation.

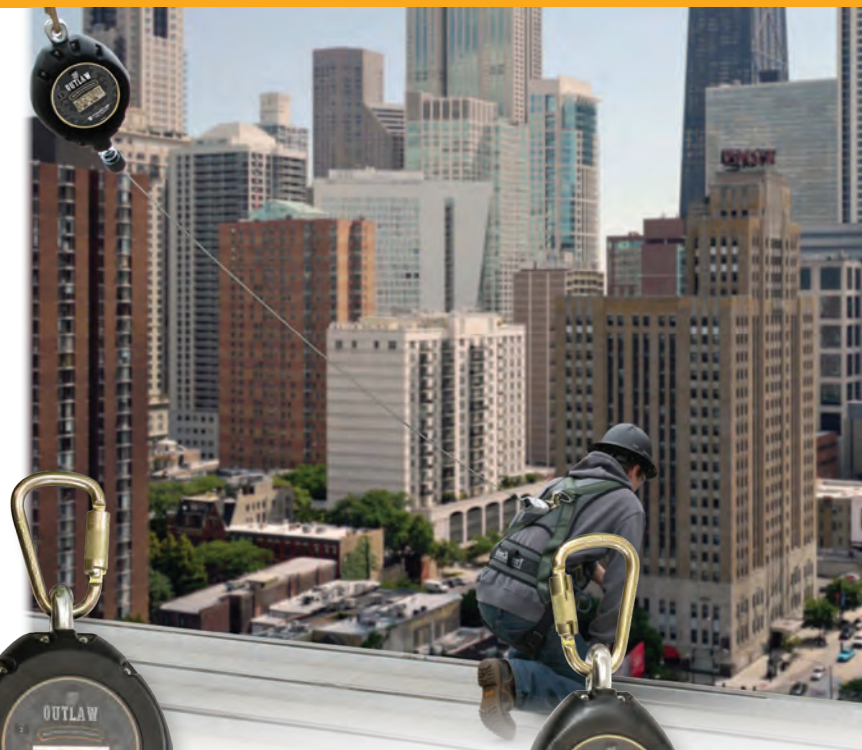
Light, Durable Housing
High-strength, light weight housing provides excellent durability.

Leading Edge Shock Pack
Shock pack reduces fall arrest forces. Shock pack free-fall limit 6'. Max elongation distance 48". Reduces fall arrest forces to 1,800 lbs., or less

Outlaw Series-Leading Edge Self-Retracting Lifeline (XR Series)

Enter the next level in fall protection with the Outlaw LE SRL, and give your workers confidence while working on the edge.

- Internal energy absorption system
- External shock absorbing pack



XR-50LEG
50' galvanized cable Leading Edge SRL
#354-4 (1" opening) steel carabiner
RL-28 (3/4" opening) locking snap
Class "2" SRL



XR-30LEG
30' galvanized cable Leading Edge SRL
#354-4 (1" opening) steel carabiner
RL-28 (3/4" opening) locking snap
Class "2" SRL



XR-20LEG
20' galvanized cable Leading Edge SRL
#354-4 (1" opening) steel carabiner
RL-28 (3/4" opening) locking snap
Class "2" SRL

RL Series
Self-Retracting Lifelines

The RL Series feature extreme durability with high mobility. These units offer an extended range of movement with zero slack to eliminate tripping hazards. FrenchCreek recommends periodic inspection of these mechanical units as the internal mechanism's are not field inspectable. Periodic factory inspection further increases your level of safety and adds to the product life.

- ♥ Cast aluminum housing
- ♥ Dual internal inertia braking system
- ♥ Lifeline constituents: galvanized wire, stainless steel, or Technora® rope



Class
1
Anchor at or above dorsal D-ring

Class
1
Anchor at or above dorsal D-ring

Class
1
Anchor at or above dorsal D-ring

Ⓚ **RL25AGZ**
25' galvanized wire rope SRL
#Z74 (3/4" opening) locking snap
#354-4 (1" opening) carabiner for anchoring
Class "1" SRL

RL25ASZ
25' stainless steel wire rope SRL

RL25ATZ
25' Technora® synthetic rope SRL

RL30G & Ⓚ RL50GZ
30' or 50' galvanized wire rope SRL
#RL-28 (3/4" opening) locking swivel snap
#354-4 (1" opening) carabiner for anchoring
Class "1" SRL

RL30SS & RL50SS
30' or 50' stainless steel wire rope SRL

RL30T & RL50T
30' or 50' Technora® synthetic rope SRL

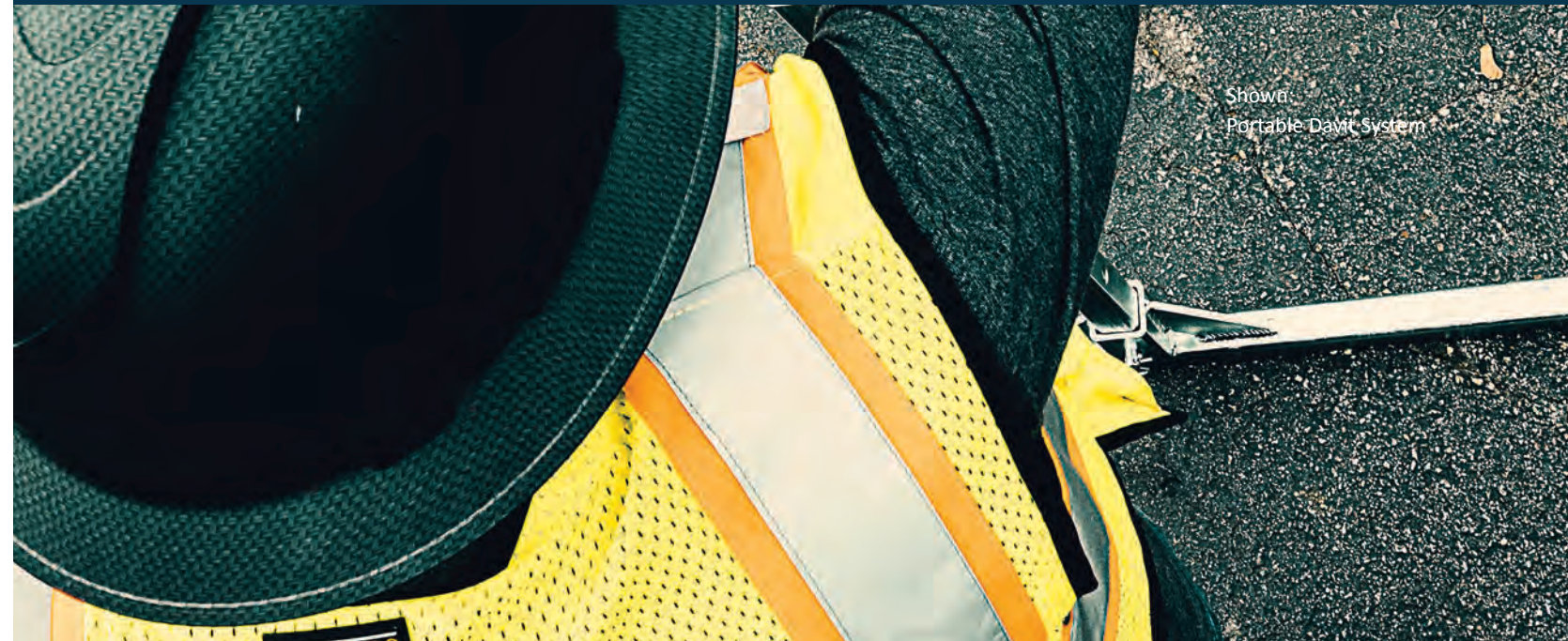
RL100G
100' galvanized wire rope SRL
#49 (3/4" opening) locking swivel snap
Class "1" SRL

RL100GSS
100' stainless steel wire rope SRL

RL100T
100' Technora® synthetic rope SRL



CONFINED SPACE SYSTEMS



Shown: Portable Davit System

Portable Davit System
3-Piece Portable Base- 60" max width

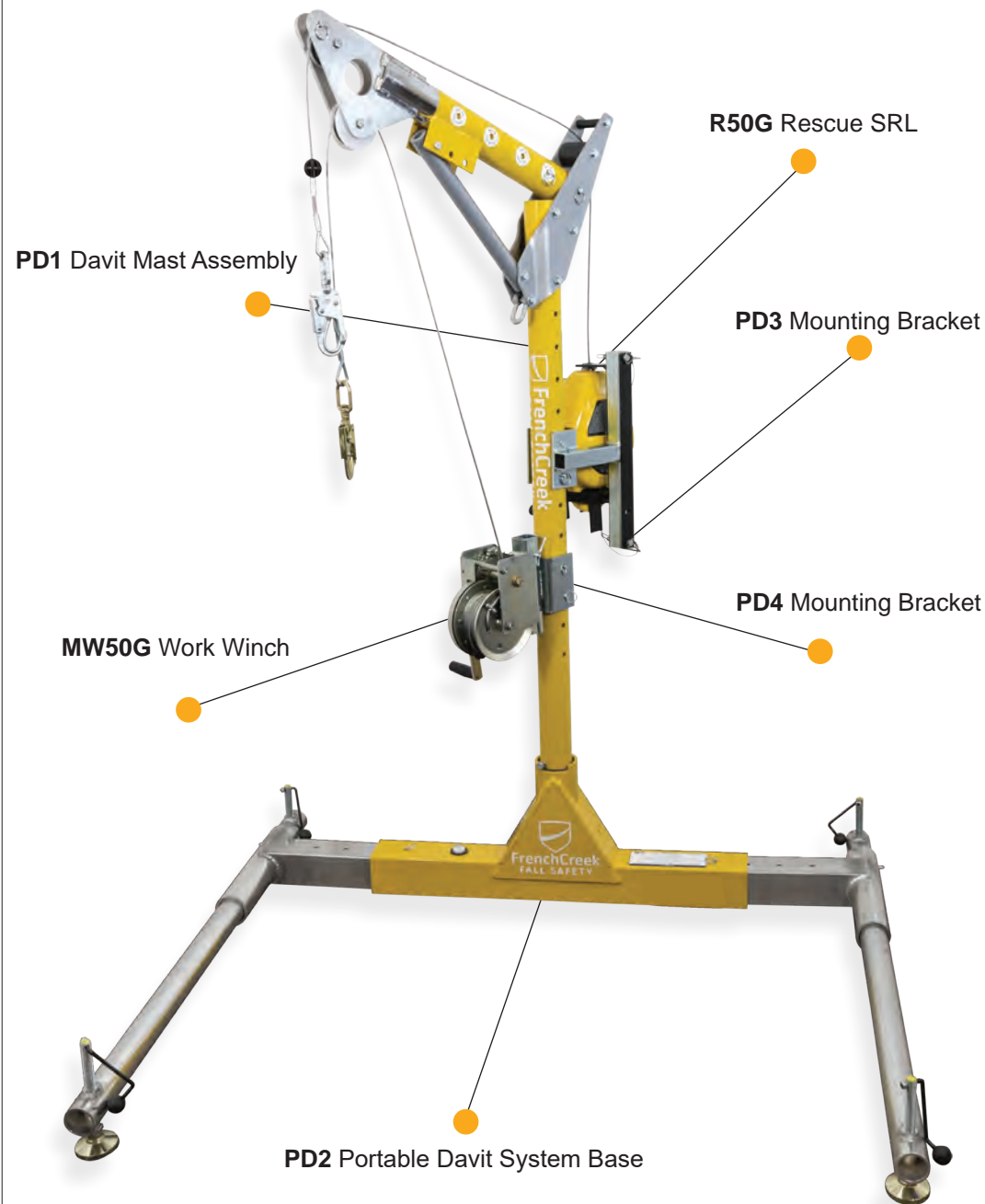
Designed for manholes & other confined spaces where a portable base is needed.

Specs

- Weight Capacity- 130-310 lbs ANSI
- Capacity- 1 entrant only, 310 lb. max
- Item weight- 162.75 lbs.
- Hardware Material- Powder coated aluminum, plated alloy steel
- Lifeline- Galvanized steel wire rope
- Standards- OSHA 1926.502
ANSI 1910.66

Components

- PD1- Davit Mast Assembly
- PD2- Portable Davit Base
- PD3- R50G Mounting Bracket
- PD4- MW50G Mounting Bracket
- R50G- Rescue SRL
- MW50G- Work Winch



Ordering Information

PD1 Davit Mast Assembly
12"-30" offset reach



PD1
Davit mast assembly with telescoping adjustability from 12"-30". Includes attachment points for mechanical units. Used in conjunction with FrenchCreek Portable Davit system bases. Item weight 32.75 lbs.

PD2 Portable Davit System Base
"36-60" adjustable base width



PD2
3-piece portable davit system base adjusts from 36"-60". For temporary application. Includes bullseye level, tool free height adjustment. Base material: powder-coated aluminum & stainless steel. Item weight 58 lbs.

PD3 Mounting Bracket
Attaches R50G Rescue SRL



PD3
Used to attach R50G Rescue SRL to PD1 Davit Mast Assembly. Attaches with locking pins. Material: plated alloy steel. Item weight: 7.2 lbs.

PD4 Mounting Bracket
Attaches MW50G Work Winch



PD4
Used to attach MW50G Work Winch to PD1 Davit Mast Assembly. Attaches with locking pins. Material: plated alloy steel. Item weight: 4.8 lbs.

R50G Rescue SRL
ANSI Class SRL-R
3-way unit, 50' length



R50G
50' rescue SRL with raising/lowering capability. Mounts to PD1 Davit Mast Assembly using PD3 Mounting Bracket. Includes dual inertia braking system, pulleys & carabiner, load indicating snaphook. Three lifeline options: galvanized steel, stainless steel, technora rope. Aluminum cast housing. Item weight: 35 lbs.

MW50G Work Winch
50' length



MW50G
Offers raising and lowering capabilities with a friction brake that prevents the unit from free-wheeling when under a load. Mounts to PD1 Davit Mast Assembly using PD4 Mounting Bracket. Includes pulleys, carabiner and swivel snaphook. Three lifeline options: galvanized steel, stainless steel, technora rope. Aluminum cast housing. Item weight: 25 lbs.

Portable Davit System
Core Mount Sleeve Base- 9" deep sleeve

Ideally suited for recurrent access locations where mast can be easily moved.

Specs

Weight Capacity- 130-310 lbs. ANSI

Capacity- 1 entrant only, 310 lb. max

Item weight- 114 lbs.

Hardware Material- Powder coated aluminum, plated alloy steel

Lifeline- Galvanized steel wire rope

Standards- OSHA 1926.502
 ANSI 1910.66

Components

PD1- Davit Mast Assembly

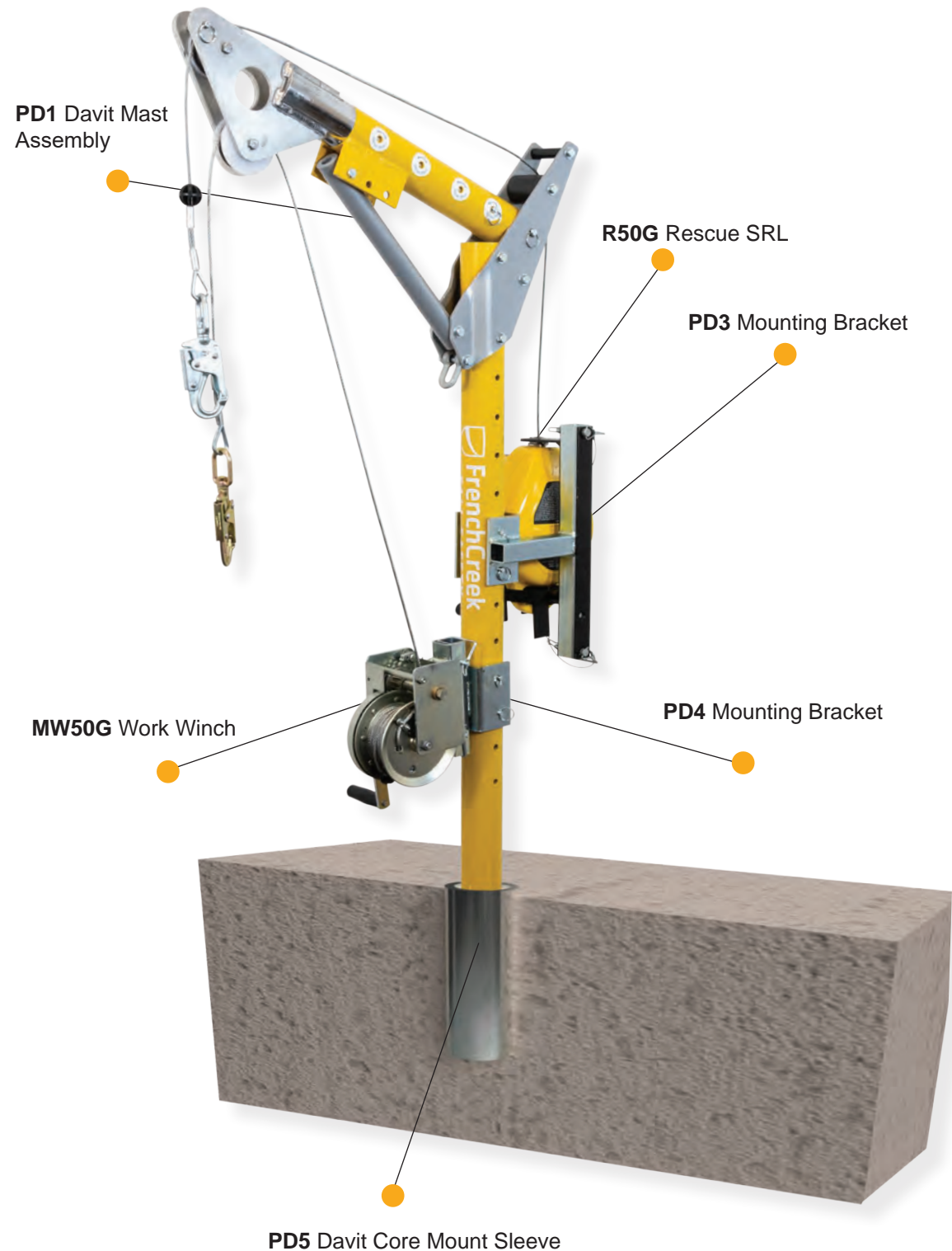
PD5- Davit Core Mount Sleeve

PD3- R50G Mounting Bracket

PD4- MW50G Mounting Bracket

R50G- Rescue SRL

MW50G- Work Winch



Ordering Information

PD1 Davit Mast Assembly
 12"-30" offset reach



PD1
 Davit mast assembly with telescoping adjustability from 12"-30". Includes attachment points for mechanical units. Used in conjunction with FrenchCreek Portable Davit system bases. Item weight 32.75 lbs.

PD5 Core Mount Sleeve Base
 Fits 4" (0.10m) diameter core hole



PD5
 Designed for slip-in installation sleeve fits 4" diameter core hole. Sleeve 9" deep with PVC insert. Allows for 360° rotation of PD1 Davit Mast Assembly. Item weight: 9.7 lbs.

PD3 Mounting Bracket
 Attaches R50G Rescue SRL



PD3
 Used to attach R50G Rescue SRL to PD1 Davit Mast Assembly. Attaches with locking pins. Material: plated alloy steel. Item weight: 7.2 lbs.

PD4 Mounting Bracket
 Attaches MW50G Work Winch



PD4
 Used to attach MW50G Work Winch to PD1 Davit Mast Assembly. Attaches with locking pins. Material: plated alloy steel. Item weight: 4.8 lbs.

R50G Rescue SRL
 ANSI Class SRL-R
 3-way unit, 50' length



R50G
 50' rescue SRL with raising/lowering capability. Mounts to PD1 Davit Mast Assembly using PD3 Mounting Bracket. Includes dual inertia braking system, pulleys & carabiner, load indicating snaphook. Three lifeline options: galvanized steel, stainless steel, technora rope. Aluminum cast housing. Item weight: 35 lbs.

MW50G Work Winch
 50' length



MW50G
 Offers raising and lowering capabilities with a friction brake that prevents the unit from free-wheeling when under a load. Mounts to PD1 Davit Mast Assembly using PD4 Mounting Bracket. Includes pulleys, carabiner and swivel snaphook. Three lifeline options: galvanized steel, stainless steel, technora rope. Aluminum cast housing. Item weight: 25 lbs.

Portable Davit System
Floor Mount Cast-In-Place Base- 8"x12" Plate

Ideally suited for high traffic areas to reduce tripping hazards. Cast-in for new concrete construction.

Specs

Weight Capacity- 130-310 lbs. ANSI

Capacity- 1 entrant only, 310 lb. max

Item weight- 127 lbs.

Hardware Material- Powder coated aluminum, plated alloy steel

Lifeline- Galvanized steel wire rope

Standards- OSHA 1926.502
 ANSI 1910.66

Components

PD1- Davit Mast Assembly

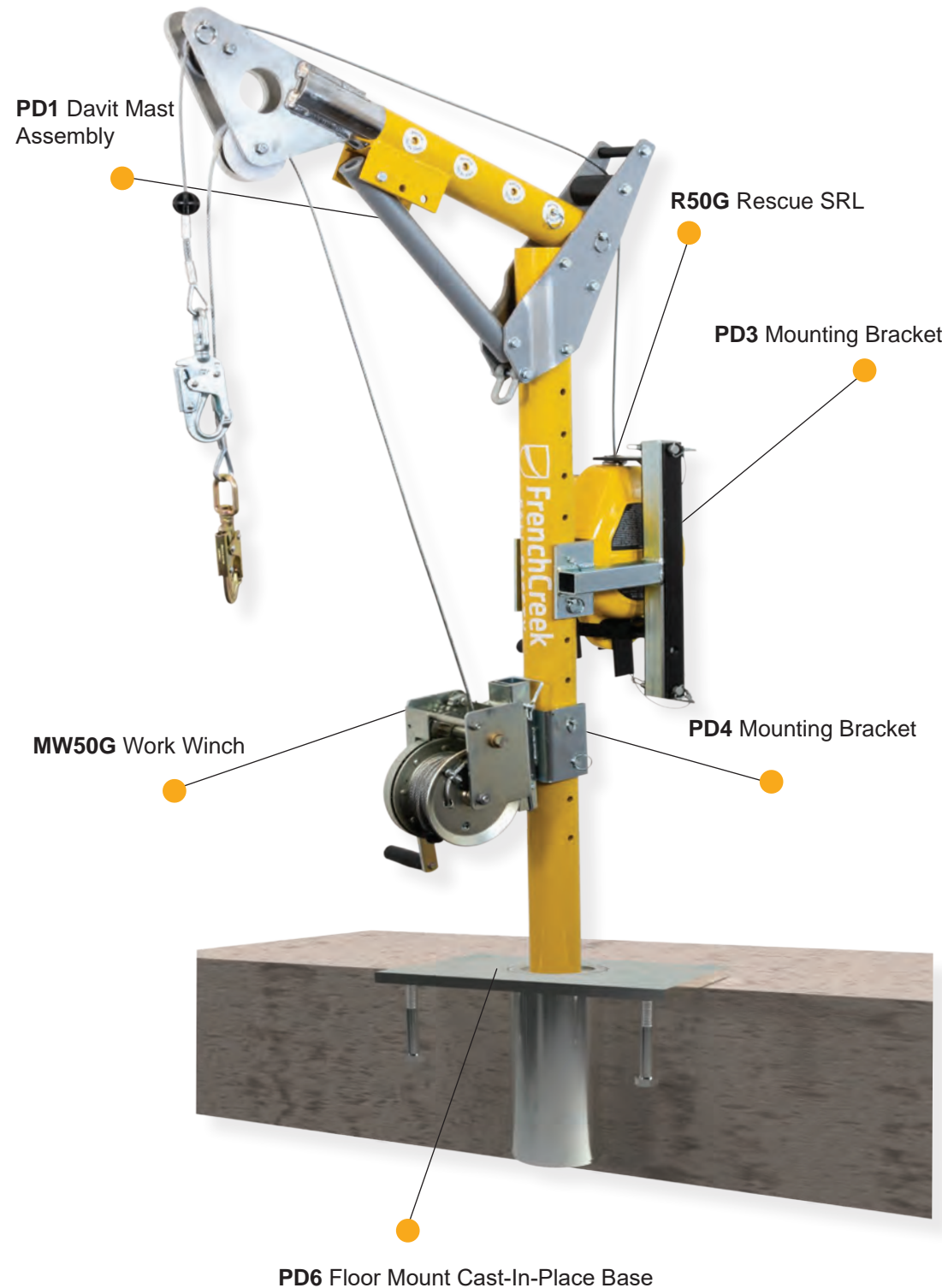
PD6- Floor Mount Cast-In-Place Base

PD3- R50G Mounting Bracket

PD4- MW50G Mounting Bracket

R50G- Rescue SRL

MW50G- Work Winch



Ordering Information

PD1 Davit Mast Assembly
 12"-30" offset reach



PD1
 Davit mast assembly with telescoping adjustability from 12"-30". Includes attachment points for mechanical units. Used in conjunction with FrenchCreek Portable Davit system bases. Item weight 32.75 lbs.

PD6 Floor Mount Cast-In-Place Base
 8"x12" plate with 4" support rods



PD6
 Cast-in design for new concrete construction installation. Allows for 360° rotation of PD1 Davit Mast Assembly. 9" deep sleeve with PVC insert. Item weight: 22 lbs.

PD3 Mounting Bracket
 Attaches R50G Rescue SRL



PD3
 Used to attach R50G Rescue SRL to PD1 Davit Mast Assembly. Attaches with locking pins. Material: plated alloy steel. Item weight: 7.2 lbs.

PD4 Mounting Bracket
 Attaches MW50G Work Winch



PD4
 Used to attach MW50G Work Winch to PD1 Davit Mast Assembly. Attaches with locking pins. Material: plated alloy steel. Item weight: 4.8 lbs.

R50G Rescue SRL
 ANSI Class SRL-R
 3-way unit, 50' length



R50G
 50' rescue SRL with raising/lowering capability. Mounts to PD1 Davit Mast Assembly using PD3 Mounting Bracket. Includes dual inertia braking system, pulleys & carabiner, load indicating snaphook. Three lifeline options: galvanized steel, stainless steel, technora rope. Aluminum cast housing. Item weight: 35 lbs.

MW50G Work Winch
 50' length



MW50G
 Offers raising and lowering capabilities with a friction brake that prevents the unit from free-wheeling when under a load. Mounts to PD1 Davit Mast Assembly using PD4 Mounting Bracket. Includes pulleys, carabiner and swivel snaphook. Three lifeline options: galvanized steel, stainless steel, technora rope. Aluminum cast housing. Item weight: 25 lbs.

Portable Davit System
Floor Mount Sleeve Base- 9" Tall Sleeve Insert

Designed for confined space entry and rescue when recurring access is needed for concrete or structural steel.

Specs

Weight Capacity- 130-310 lbs. ANSI

Capacity- 1 entrant only, 310 lb. max

Item weight- 136.75 lbs.

Hardware Material- Powder coated aluminum, plated alloy steel

Lifeline- Galvanized steel wire rope

Standards- OSHA 1926.502
 ANSI 1910.66

Components

PD1- Davit Mast Assembly

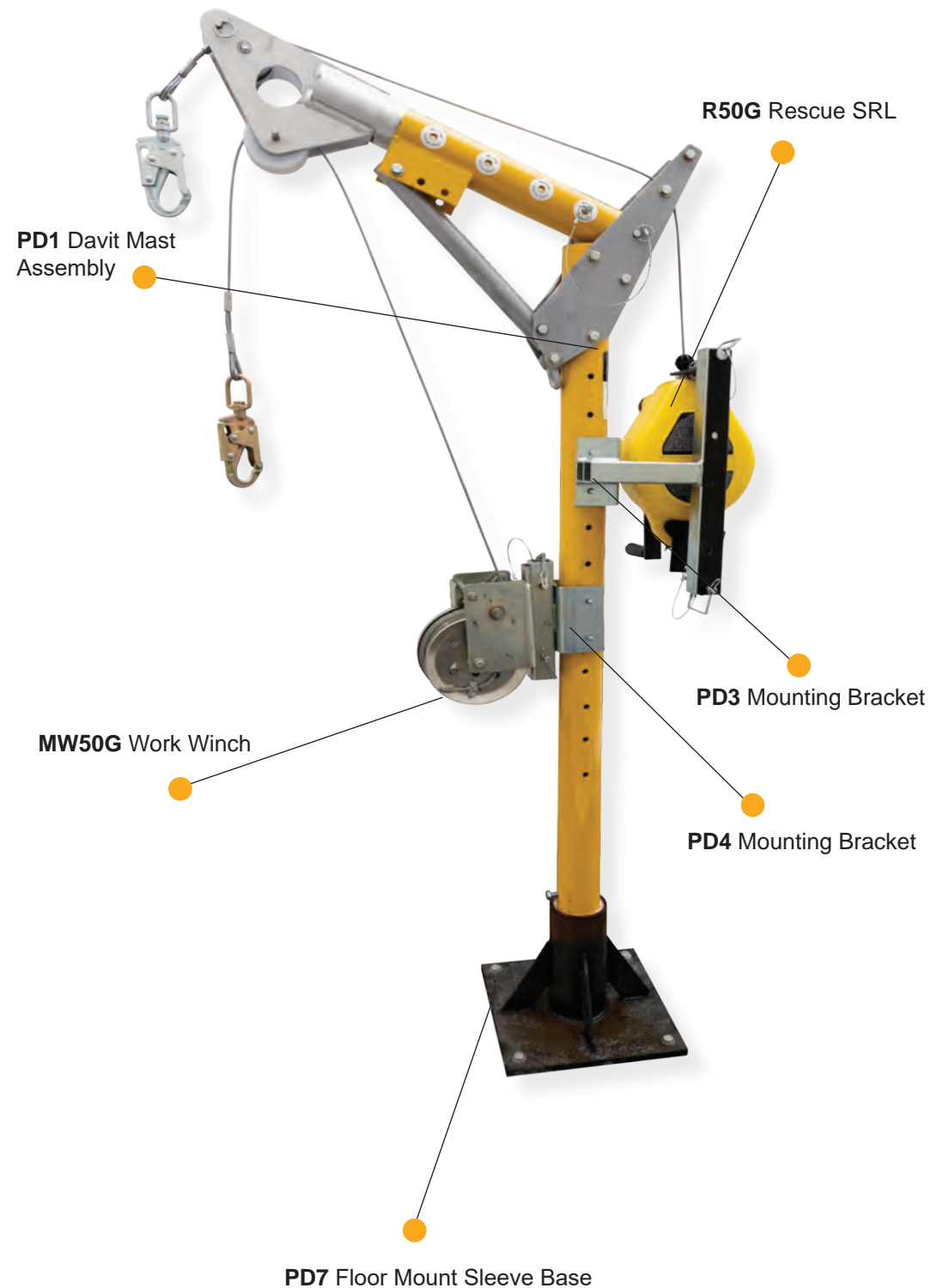
PD7- Floor Mount Sleeve Base

PD3- R50G Mounting Bracket

PD4- MW50G Mounting Bracket

R50G- Rescue SRL

MW50G- Work Winch



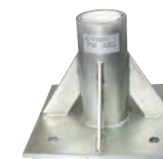
Ordering Information

PD1 Davit Mast Assembly
 12"-30" offset reach



PD1
 Davit mast assembly with telescoping adjustability from 12"-30". Includes attachment points for mechanical units. Used in conjunction with FrenchCreek Portable Davit system bases. Item weight 32.75 lbs.

PD7 Floor Mount Sleeve Base
 9" Deep Sleeve Insert



PD7
 Bolt on design for existing steel and concrete installation. Allows for 360° rotation of PD1 Davit Mast Assembly. 9" tall sleeve with PVC insert. Item weight: 32 lbs.

PD3 Mounting Bracket
 Attaches R50G Rescue SRL



PD3
 Used to attach R50G Rescue SRL to PD1 Davit Mast Assembly. Attaches with locking pins. Material: plated alloy steel. Item weight: 7.2 lbs.

PD4 Mounting Bracket
 Attaches MW50G Work Winch



PD4
 Used to attach MW50G Work Winch to PD1 Davit Mast Assembly. Attaches with locking pins. Material: plated alloy steel. Item weight: 4.8 lbs.

R50G Rescue SRL
 ANSI Class SRL-R
 3-way unit, 50' length



R50G
 50' rescue SRL with raising/lowering capability. Mounts to PD1 Davit Mast Assembly using PD3 Mounting Bracket. Includes dual inertia braking system, pulleys & carabiner, load indicating snaphook. Three lifeline options: galvanized steel, stainless steel, technora rope. Aluminum cast housing. Item weight: 35 lbs.

MW50G Work Winch
 50' length



MW50G
 Offers raising and lowering capabilities with a friction brake that prevents the unit from free-wheeling when under a load. Mounts to PD1 Davit Mast Assembly using PD4 Mounting Bracket. Includes pulleys, carabiner and swivel snaphook. Three lifeline options: galvanized steel, stainless steel, technora rope. Aluminum cast housing. Item weight: 25 lbs.

Portable Davit System
Wall Mount Sleeve Base- 9" Tall Sleeve Insert

Designed for confined space entry and rescue for vertical concrete or steel structures. Can be bolted or welded.

Specs

Weight Capacity- 130-310 lbs. ANSI

Capacity- 1 entrant only, 310 lb. max

Item weight- 117.75 lbs.

Hardware Material- Powder coated aluminum, plated alloy steel

Lifeline- Galvanized steel wire rope

Standards- OSHA 1926.502
 ANSI 1910.66

Components

PD1- Davit Mast Assembly

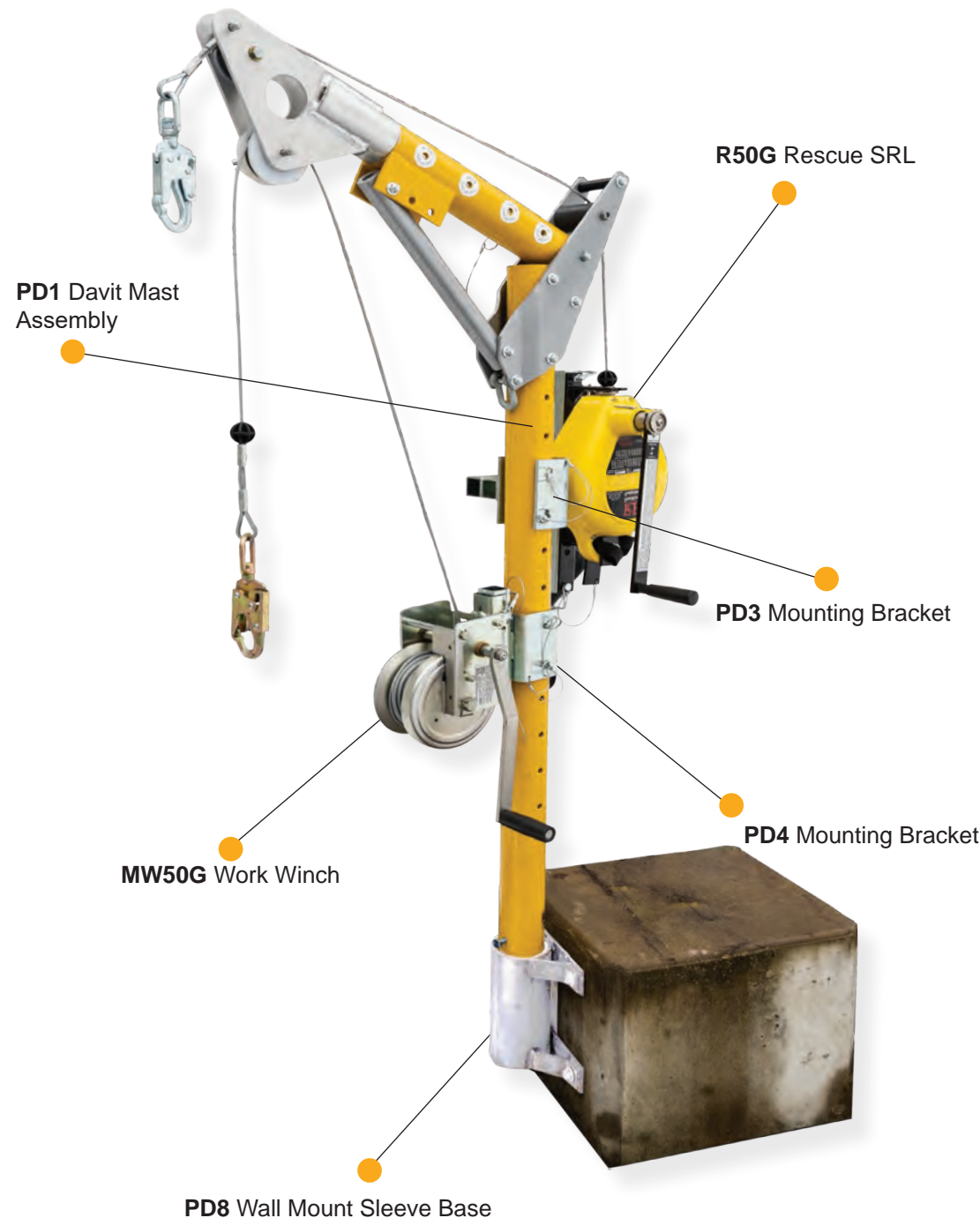
PD8- Wall Mount Sleeve

PD3- R50G Mounting Bracket

PD4- MW50G Mounting Bracket

R50G- Rescue SRL

MW50G- Work Winch



Ordering Information

PD1 Davit Mast Assembly
 12"-30" offset reach



PD1
 Davit mast assembly with telescoping adjustability from 12"-30". Includes attachment points for mechanical units. Used in conjunction with FrenchCreek Portable Davit system bases. Item weight 32.75 lbs.

PD8 Wall Mount Sleeve Base
 9" Deep Sleeve Insert



PD8
 Bolt on design for existing steel and concrete vertical installation. Allows for 360° rotation of PD1 Davit Mast Assembly. 9" tall sleeve with PVC insert. Item weight: 13 lbs.

PD3 Mounting Bracket
 Attaches R50G Rescue SRL



PD3
 Used to attach R50G Rescue SRL to PD1 Davit Mast Assembly. Attaches with locking pins. Material: plated alloy steel. Item weight: 7.2 lbs.

PD4 Mounting Bracket
 Attaches MW50G Work Winch



PD4
 Used to attach MW50G Work Winch to PD1 Davit Mast Assembly. Attaches with locking pins. Material: plated alloy steel. Item weight: 4.8 lbs.

R50G Rescue SRL
 ANSI Class SRL-R
 3-way unit, 50' length



R50G
 50' rescue SRL with raising/lowering capability. Mounts to PD1 Davit Mast Assembly using PD3 Mounting Bracket. Includes dual inertia braking system, pulleys & carabiner, load indicating snaphook. Three lifeline options: galvanized steel, stainless steel, technora rope. Aluminum cast housing. Item weight: 35 lbs.

MW50G Work Winch
 50' length



MW50G
 Offers raising and lowering capabilities with a friction brake that prevents the unit from free-wheeling when under a load. Mounts to PD1 Davit Mast Assembly using PD4 Mounting Bracket. Includes pulleys, carabiner and swivel snaphook. Three lifeline options: galvanized steel, stainless steel, technora rope. Aluminum cast housing. Item weight: 25 lbs.

Portable Davit System

Barrel Mount Davit Base- 1/2" to 3-1/2" thick

Designed for bolt on installation to existing edges, walls and other properly rated structures.

Specs

Weight Capacity- 130-310 lbs. ANSI

Capacity- 1 entrant only, 310 lb. max

Item weight- 136.75 lbs.

Hardware Material- Powder coated aluminum, plated alloy steel

Lifeline- Galvanized steel wire rope

Standards- OSHA 1926.502
ANSI 1910.66

Components

PD1- Davit Mast Assembly

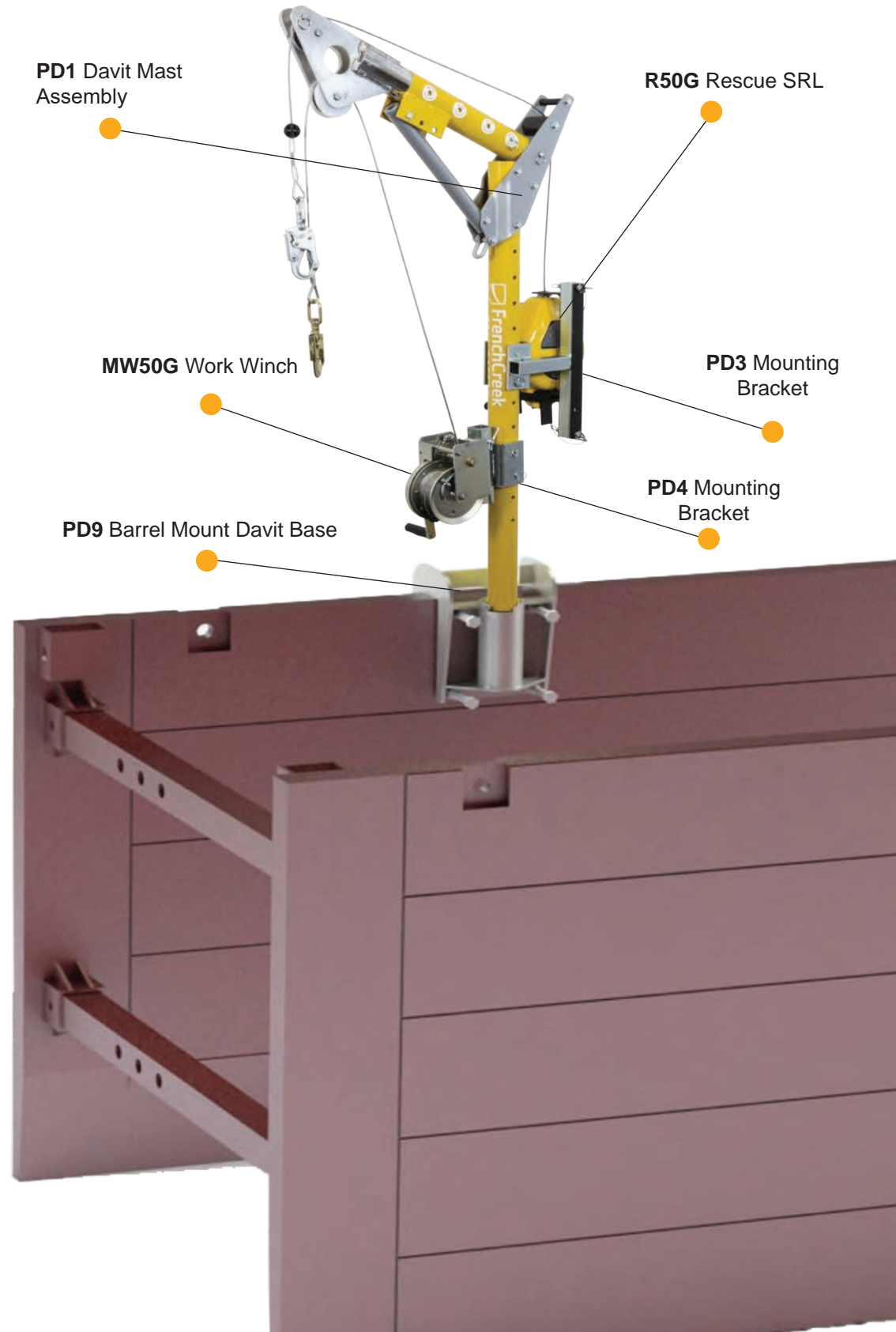
PD9- Barrel Mount Davit Base

PD3- R50G Mounting Bracket

PD4- MW50G Mounting Bracket

R50G- Rescue SRL

MW50G- Work Winch



Ordering Information

PD1 Davit Mast Assembly
12"-30" offset reach



PD1
Davit mast assembly with telescoping adjustability from 12"-30". Includes attachment points for mechanical units. Used in conjunction with FrenchCreek Portable Davit system bases. Item weight 32.75 lbs.

PD9 Barrel Mount Davit Base
Attaches to properly rated structures 1/2" to 3-1/2" thick.



PD9
Attaches to properly rated structures 1/2" to 3-1/2" thick. 4pcs. 3/4" x 5" hex head set screws for securing to structure. Zinc plated welded steel construction with PVC mast sleeve insert. 180° mast rotation. 9" tall sleeve PVC insert. Item weight 32 lbs.

PD3 Mounting Bracket
Attaches R50G Rescue SRL



PD3
Used to attach R50G Rescue SRL to PD1 Davit Mast Assembly. Attaches with locking pins. Material: plated alloy steel. Item weight: 7.2 lbs.

PD4 Mounting Bracket
Attaches MW50G Work Winch



PD4
Used to attach MW50G Work Winch to PD1 Davit Mast Assembly. Attaches with locking pins. Material: plated alloy steel. Item weight: 4.8 lbs.

R50G Rescue SRL
ANSI Class SRL-R
3-way unit, 50' length



R50G
50' rescue SRL with raising/lowering capability. Mounts to PD1 Davit Mast Assembly using PD3 Mounting Bracket. Includes dual inertia braking system, pulleys & carabiner, load indicating snaphook. Three lifeline options: galvanized steel, stainless steel, technora rope. Aluminum cast housing. Item weight: 35 lbs.

MW50G Work Winch
50' length



MW50G
Offers raising and lowering capabilities with a friction brake that prevents the unit from free-wheeling when under a load. Mounts to PD1 Davit Mast Assembly using PD4 Mounting Bracket. Includes pulleys, carabiner and swivel snaphook. Three lifeline options: galvanized steel, stainless steel, technora rope. Aluminum cast housing. Item weight: 25 lbs.

Portable Davit System Hitch Mount System- For Class 3 Minimum Vehicle Trailer Hitch

Designed to be used as a portable anchorage connector. Commonly used with rescue vehicles.

Specs

Weight Capacity- 130-310 lbs. ANSI

Capacity- 1 entrant only, 310 lb. max

Item weight- 158.75 lbs.

Hardware Material- Powder coated aluminum, plated alloy steel

Lifeline- Galvanized steel wire rope

Standards- OSHA 1926.502
ANSI 1910.66

Components

PD1- Davit Mast Assembly

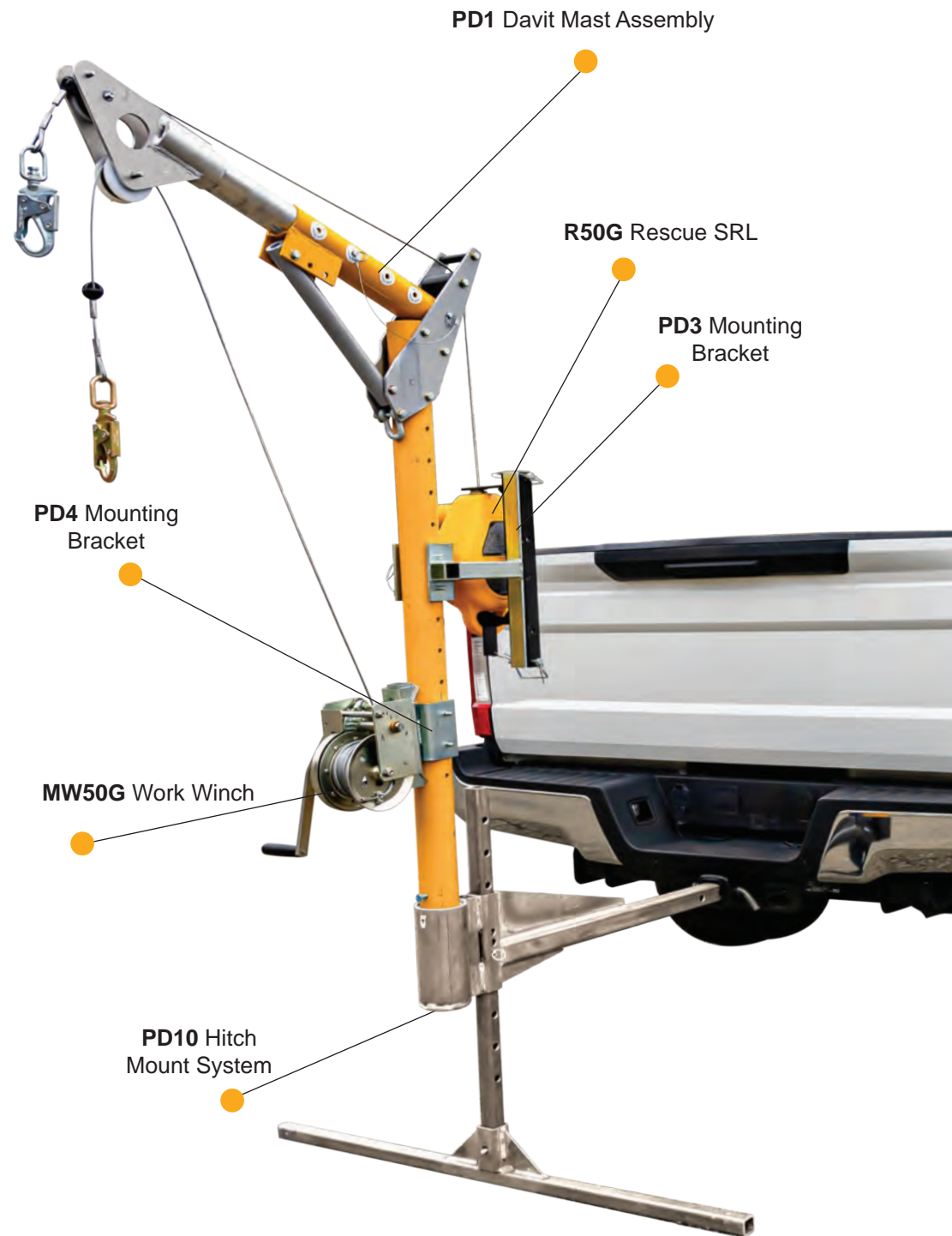
PD10- Hitch Mount System

PD3- R50G Mounting Bracket

PD4- MW50G Mounting Bracket

R50G- Rescue SRL

MW50G- Work Winch



Ordering Information

PD1 Davit Mast Assembly
12"-30" offset reach



PD1
Davit mast assembly with telescoping adjustability from 12"-30". Includes attachment points for mechanical units. Used in conjunction with FrenchCreek Portable Davit system bases. Item weight 32.75 lbs.

PD10 Hitch Mount System
Installs into class 3 minimum vehicle trailer hitch.



PD10
Installs into class 3 minimum vehicle trailer hitch, 2" square receiver. 6"-30" height adjustment range provided in 1" increments. 9" tall plated carbon sleeve with insert. Compatible with PD1 Davit Mast Assembly. Weight 54 lbs.

PD3 Mounting Bracket
Attaches R50G Rescue SRL



PD3
Used to attach R50G Rescue SRL to PD1 Davit Mast Assembly. Attaches with locking pins. Material: plated alloy steel. Item weight: 7.2 lbs.

PD4 Mounting Bracket
Attaches MW50G Work Winch



PD4
Used to attach MW50G Work Winch to PD1 Davit Mast Assembly. Attaches with locking pins. Material: plated alloy steel. Item weight: 4.8 lbs.

R50G Rescue SRL
ANSI Class SRL-R
3-way unit, 50' length



R50G
50' rescue SRL with raising/lowering capability. Mounts to PD1 Davit Mast Assembly using PD3 Mounting Bracket. Includes dual inertia braking system, pulleys & carabiner, load indicating snaphook. Three lifeline options: galvanized steel, stainless steel, technora rope. Aluminum cast housing. Item weight: 35 lbs.

MW50G Work Winch
50' length



MW50G
Offers raising and lowering capabilities with a friction brake that prevents the unit from free-wheeling when under a load. Mounts to PD1 Davit Mast Assembly using PD4 Mounting Bracket. Includes pulleys, carabiner and swivel snaphook. Three lifeline options: galvanized steel, stainless steel, technora rope. Aluminum cast housing. Item weight: 25 lbs.

Portable Davit System
Adjustable Barrel Mount (Trench-Box) - For rated structures 3"-24" thick

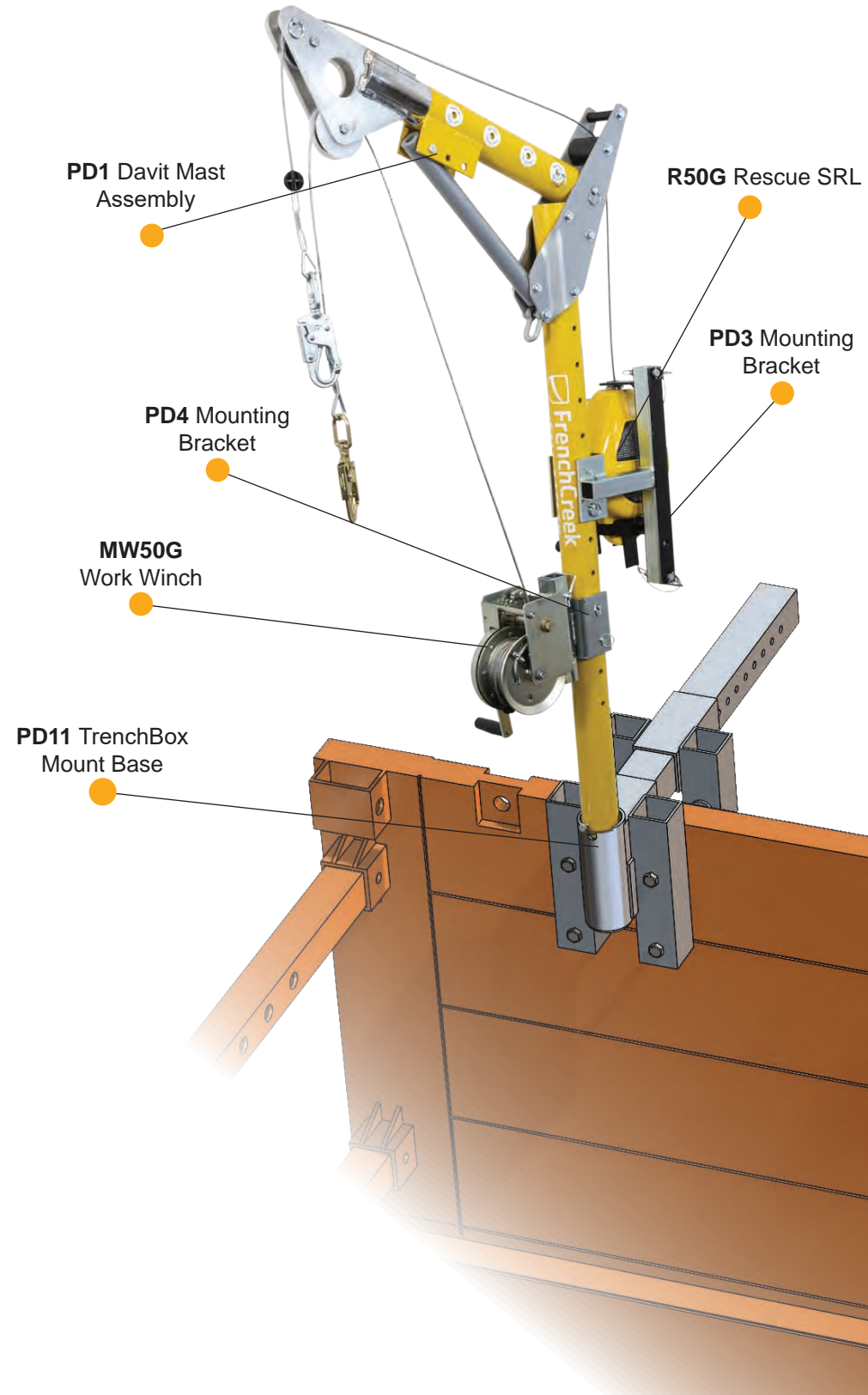
Designed to be used as a portable anchorage connector. Commonly used with rescue vehicles.

Specs

- Weight Capacity- 130-310 lbs. ANSI
- Capacity- 1 entrant only, 310 lb. max
- Item weight- 152.75 lbs.
- Hardware Material- Powder coated aluminum, plated alloy steel
- Lifeline- Galvanized steel wire rope
- Standards- OSHA 1926.502
ANSI 1910.66

Components

- PD1- Davit Mast Assembly
- PD11- Barrel Mount
- PD3- R50G Mounting Bracket
- PD4- MW50G Mounting Bracket
- R50G- Rescue SRL
- MW50G- Work Winch



Ordering Information

PD1 Davit Mast Assembly
 12"-30" offset reach



PD1
 Davit mast assembly with telescoping adjustability from 12"-30". Includes attachment points for mechanical units. Used in conjunction with FrenchCreek Portable Davit system bases. Item weight 32.75 lbs.

PD11 Barrel (Trench-Box) Mount
 For properly rated structures 3 to 24" thick



PD11
 For properly rated structures 3 to 24" thick. Adjustable from 3"-24". Weight capacity 130-310 lbs. ANSI. Hardware material zinc plated alloy steel, and 6061-t6 aluminum. Compatible with PD1 Davit Mast Assembly. Weight 48 lbs.

PD3 Mounting Bracket
 Attaches R50G Rescue SRL



PD3
 Used to attach R50G Rescue SRL to PD1 Davit Mast Assembly. Attaches with locking pins. Material: plated alloy steel. Item weight: 7.2 lbs.

PD4 Mounting Bracket
 Attaches MW50G Work Winch



PD4
 Used to attach MW50G Work Winch to PD1 Davit Mast Assembly. Attaches with locking pins. Material: plated alloy steel. Item weight: 4.8 lbs.

R50G Rescue SRL
 ANSI Class SRL-R
 3-way unit, 50' length



R50G
 50' rescue SRL with raising/lowering capability. Mounts to PD1 Davit Mast Assembly using PD3 Mounting Bracket. Includes dual inertia braking system, pulleys & carabiner, load indicating snaphook. Three lifeline options: galvanized steel, stainless steel, technora rope. Aluminum cast housing. Item weight: 35 lbs.

MW50G Work Winch
 50' length



MW50G
 Offers raising and lowering capabilities with a friction brake that prevents the unit from free-wheeling when under a load. Mounts to PD1 Davit Mast Assembly using PD4 Mounting Bracket. Includes pulleys, carabiner and swivel snaphook. Three lifeline options: galvanized steel, stainless steel, technora rope. Aluminum cast housing. Item weight: 25 lbs.

Tripod

Confined Space Systems

The FrenchCreek tripod system incorporates a lightweight design that is capable of withstanding 5,000 lbs. of vertical load, making it easy to transport to those tight confined spaces.

Complete Systems



- Q S50G7**
TP7 tripod
R50G rescue unit
- S50SS7**
TP7 tripod
R50SS rescue unit
- Q R50GTP7**
TP7 tripod
R50G rescue unit
#204 carry bag
- R50SSTP7**
TP7 tripod
R50SS rescue unit
#204 carry bag
- Q S50GM7**
TP7 tripod
R50G rescue unit
MW50G work winch
- S50SSM7**
TP7 tripod
R50SS rescue unit
MW50SS work winch

See next page for a complete list of system components

R50 Series

3-Way Rescue SRL

The R50 series unit is a Self Retracting lifeline, capable of raising and lowering for rescue and retrieval. Upon a fall, the system can be activated into winch mode, for raising and lowering the worker to safety.

- Rugged, lightweight aluminum housing
- Dual internal inertia breaking system
- Includes pulley & carabiner
- Load indicating snaphook
- Three lifeline constituents available, see below

- Q R50G**
50' galvanized wire rope
- R50SS**
50' stainless steel wire rope
- R50T**
50' Technora® synthetic rope



MW Series

Material Winch

The MW series winches offer raising and lowering capabilities with a friction brake that prevents free-wheeling when under a load.

- Rugged, steel frame drum
- Three lifeline constituents and lengths available, see below
- Includes pulley & carabiner
- Includes swivel snaphook

- Q MW50G**
50' galvanized wire rope
- MW50SS**
50' stainless steel wire rope
- MW50T**
50' Technora® synthetic rope
- MW100G**
100' galvanized wire rope
- MW100SS**
100' stainless steel wire rope
- MW100T**
100' Technora® synthetic rope



TP7 Series

Aluminum Tripods

FrenchCreek confined space tripods are designed to withstand 5,000 lbs. of vertical load, yet are lightweight and portable, offering single person setup that is quick and easy.

- Adjustable/locking aluminum frame and chain
- Available in 7' or 9' lengths, see below

- Q TP7**
7' aluminum tripod
2 attachment points on head
- Q TP9**
9' aluminum tripod
2 attachment points on head



199D
Controlled Descent Device

This device can be used in conjunction with a full body harness or work seat along with the appropriate fall arrest system. As the lever on the device is moved, friction on the rope decreases and the device will descend.

- Used on a single 7/16" (11mm) piece of Kernmantle rope
- If user lets go of lever or squeezes in a "panic" situation, the device automatically locks and descent is stopped.
- Device can be inverted to lower an individual in a rescue situation.



199-50

50' rope kit
(1) #354-4 carabiner
Carry bag

199-100

100' rope kit
(1) #354-4 carabiner
Carry bag

199-200

200' rope kit
(1) #354-4 carabiner
Carry bag

WL Series
Flexible Access Ladder

FrenchCreek flexible access ladders are constructed of high strength webbing and 1 1/4" round fiberglass rungs that are 12" wide. Multiple ladders can be joined together using carabiners, or you can order a longer or custom length.

WL-10

10' flexible web ladder
Two #354-4 carabiners

WL-20

20' flexible web ladder
Two #354-4 carabiners

WL-30

30' flexible web ladder
Two #354-4 carabiners

WL-40

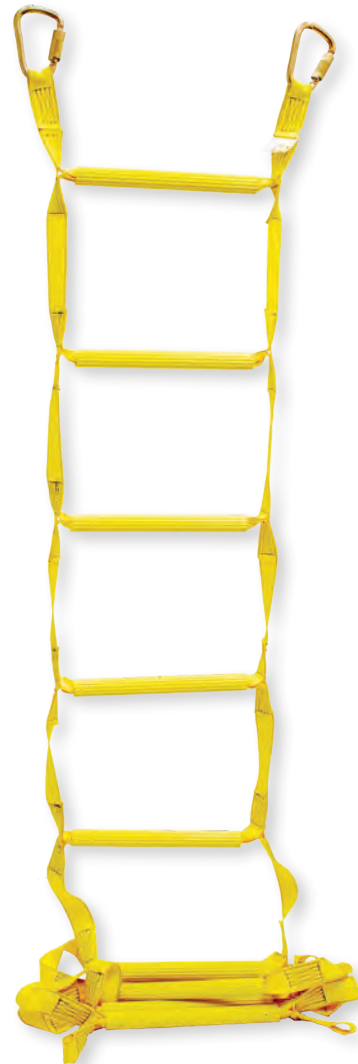
40' flexible web ladder
Two #354-4 carabiners

WL-50

50' flexible web ladder
Two #354-4 carabiners

354-4

Twistlock carabiner 1" gate



System 99
Self-Raising/Lowering System

FrenchCreek's system 99 is a versatile lifting and lowering system that can be used for utility/work systems or for rescue & recovery. The lightweight, compact universal system can be set up in seconds and performs a variety of functions.

- Mechanical advantage of 3:1, makes the system easily operated by one person
- A top side worker can utilize the system to rescue an incapacitated worker
- Lightweight design, 200' long system, approx. weight: 52 lbs.

99B-50
50' system

99B-100
100' system

99B-200
200' system



RPR Kits
Remote Prompt Rescue Kits

Time is of the essence in any emergency situation. In an ideal situation, a trained, qualified co-worker can immediately assist another worker in the event of a fall. This system allows a capable worker to attach a raising/ lowering system to the fallen worker's D-Ring, providing a means for rescue.



RPR-25 kit

RPR-25
RPCC-12 rescue pole assembly with bag
99B 25' System 99 raising/lowering system (page 69)

RPR-50
RPCC-12 rescue pole assembly with bag
99B 50' System 99 raising/lowering system (page 69)



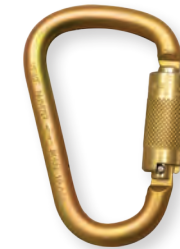
RPCC-12
6'-12' extendable rescue pole with carabiner holding clip
354-22 twistlock carabiner (1" gate opening)

Confined Space
Accessories & Items

Additional items to add to your confined space kit.



Q 204
16" X 12" X 10"
Hard bottom winch bag
Handle & Velcro closure



Q 354-4
Twistlock carabiner
1" gate opening



Q 354-5
Twistlock carabiner
3/4" gate opening



Q 45
Replacement Split Pulley



Q 206
32" X 66" X 7"
Tripod carrying bag

Rescue Assistance
Accessories

During a confined space rescue there may be no easy way of getting the victim or rescuer out of the confined space. These items can be deployed to aid in rescue.



207
Wristlets (pair)



207Y
Wristlets (pair)
with yoke



207YL
Wristlets (pair)
with yoke
25' tagline



702Y
Web yoke assembly
with spreader bar



LADDER SAFETY SYSTEMS

Shown:
VL Cable System

Compatible Harnesses
For Vertical Climbing Systems

When using a vertical climbing system, FrenchCreek recommends these harnesses when ascending or descending the Rigid Rail or VL cable systems. These harnesses come standard with a waist D-Ring for connection to the system keeping workers within OSHA compliance.

OSHA 1910.140(d)(1)(iv): Fall arrest systems must sustain the employee without making contact with the employee's neck and chin area.



850B-TS
6 point adjustment
Hip Positioning D-Rings
Waist D-Ring
Tongue buckle/grommet leg adjustments
In stock sizes **M, L, XL**



22850B-TS
6 point adjustment with comfort waist pad
Hip Positioning D-Rings
Waist D-Ring
Tongue buckle/grommet leg adjustments
In stock sizes **S-M, L-XL**



22030B-BLK
Navigator Full body harness
Wide waist belt & lumbar pad
Comfort air mesh padding
Several attachment points

VL-38
Flexible Cable Climbing System

FrenchCreek's VL-38 cable climbing system offers an innovative solution for vertical climbing that is easy to use and requires minimal maintenance. The system's stainless steel construction stands up to the elements for extended periods of time, allowing permanent installation. Standard systems feature:

- ♥ Top & bottom bracket with tensioner
- ♥ Rung clamps for up to 1-1/8" diameter rungs
- ♥ 3/8" galvanized wire-rope Lifeline permanently terminated at one end
- ♥ The appropriate amount of cable guides based on system length

Ordering Options

Final product #'s designated by length. Available in 10' increments from 20'-300'.

- | | |
|--|--|
| VL-38-20
VL-38 system, 20' in length | VL-38-50
VL-38 system, 50' in length |
| VL-38-100
VL-38 system, 100' in length | VL-38-300
VL-38 system, 300' in length |

System Accessories

- | | |
|--|--|
| 1401A-38
Galvanized steel cable rope grab
Includes shock absorber & carabiner
Fits 3/8" and 5/6" wire rope | VL-CG
Cable guide for VL-38 system
Fits up to 1-1/8" diameter ladder rung |
|--|--|



Typical VL-38 System

- 20'-300' systems include:**
- (1) **Top bracket (with hat clamps)**
 - (1) **Bottom bracket (with tensioner)**
 - (1) C38 wire rope assembly
- VL-CG appropriate amount of cable guides



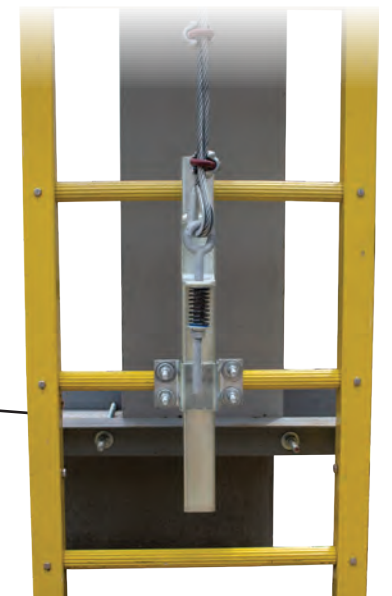
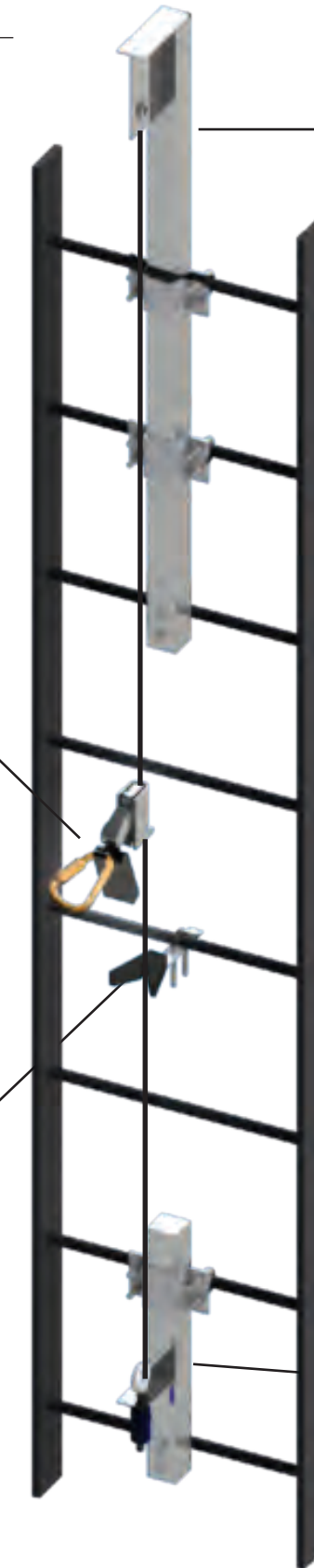
1401A-38 (Sold separately)
Stainless steel cable grab
Includes shock absorber & carabiner
Fits 3/8" and 5/16" wire rope



VL-CG
Cable guide for VL-38 system
Fits up to 1-1/8" diameter ladder rung



Top bracket



Bottom Bracket & Tensioner

Rigid Rail Vertical Climbing System

The rigid rail climbing systems provide maximum climbing safety for workers in virtually any place that climbing must be done. The rail attaches quickly and easily to any ladder step iron or climbing surface. The trolley travels freely and easily along the rail and immediately arrests upon a fall.

When ordering a rigid rail system, you will need to provide rung sizes, shapes, detail or other specifics.

Rail Options

Product length specified by ladder height, please specify upon ordering.

1-1100-AR
Anodized aluminum rail with mounting hardware

1-1105-SS
316 stainless steel rail with mounting hardware

Trolley Options

2-1200A-AT
Climbing trolley for straight vertical aluminum rail

2-1221A-AT
Climbing trolley for curved/straight aluminum rail

2-1224A-AT
Climbing trolley for straight vertical stainless steel & aluminum rails

2-1223-AT
Trolley for horizontal aluminum rails



Typical Rigid Rail System

Standard Aluminum System includes:
(with rung clamps)

- 1-1100-AR vertical rail (with ladder rung clamps)
- (1) 2-1200A-AT climbing trolley for aluminum rail

Choose the style of your rung clamp



- 2-1200A-AT**
Climbing trolley for straight vertical aluminum rail
Includes Carabiner



Removable Extension

The removable extension is used to access a permanent rail system/ladder from the top, when a permanent extension is not possible or desirable. The extension is positioned into the existing permanent rail with a machined high-strength alignment bar and support channel.

- 5-1501**
54" removable aluminum extension rail
- 5-1502B**
42" removable stainless steel extension rail



AP36
Ladder Anchor Post

FrenchCreek's AP36 ladder anchor post is a solution to maintaining fall protection on a fixed ladder. This anchor post can be used at the top of a fixed ladder to provide a secure tie-off point when transitioning from the ladder to the elevated level.

- ✔ Compatible with FrenchCreek vertical climbing systems
- ✔ Can be positioned to the left or right, and in front or behind ladder rungs
- ✔ Minimal parts & easy setup
- ✔ Meets and exceeds OSHA 1910.29

AP36
Ladder anchor post
U-bolts & mounting hardware

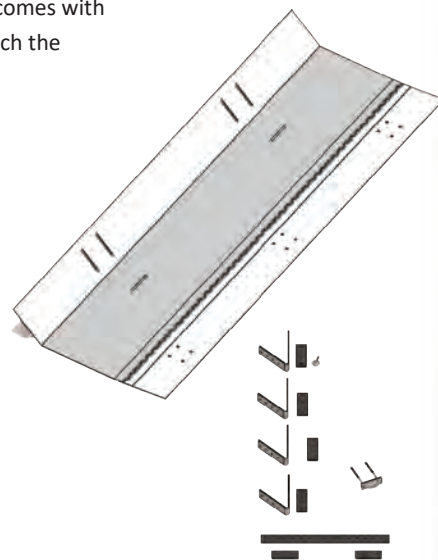


4-1000
Ladder Guard System

FrenchCreek ladder guard system is a method of covering an 8' section of a fixed ladder in order to control access. The system comes with the ladder guard as well as all required materials to attach the guard to a fixed ladder.

- ✔ **Standard system includes all hardware necessary to mount ladders 12"-24" wide.**

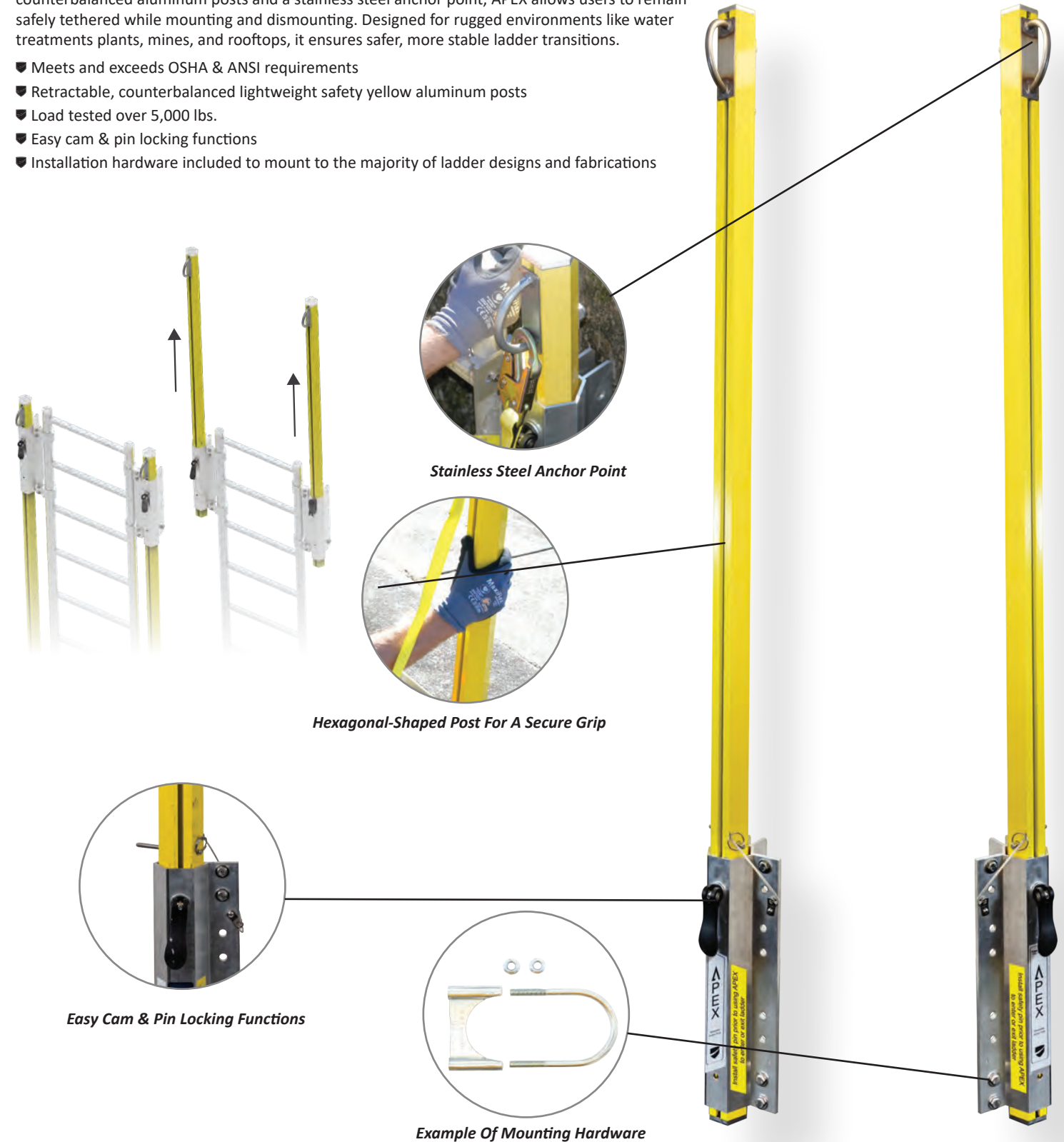
4-1000
Complete 8' ladder guard system



APEX
Retractable Ladder Anchor Post

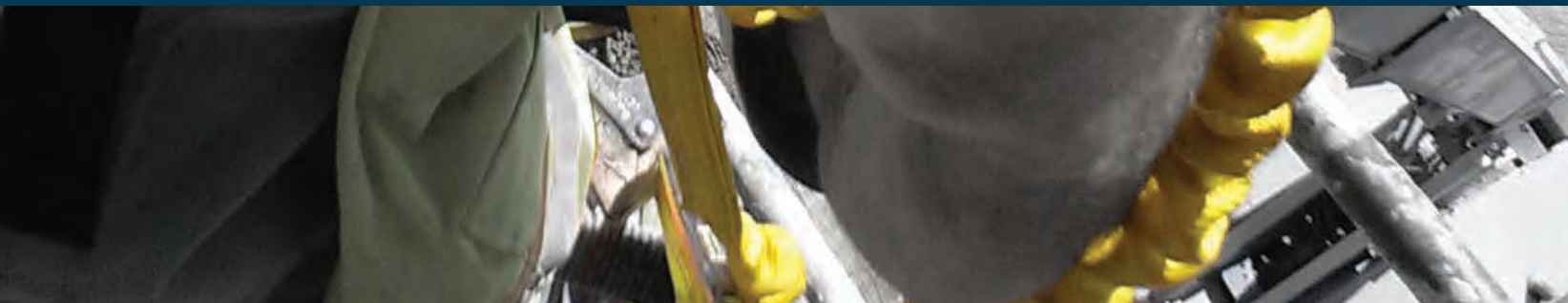
The APEX Retractable Anchor Post provide a secure fall arrest anchor point for workers using fixed ladders, meeting and exceeding OSHA and ANSI requirements. Featuring retractable, counterbalanced aluminum posts and a stainless steel anchor point, APEX allows users to remain safely tethered while mounting and dismounting. Designed for rugged environments like water treatments plants, mines, and rooftops, it ensures safer, more stable ladder transitions.

- ✔ Meets and exceeds OSHA & ANSI requirements
- ✔ Retractable, counterbalanced lightweight safety yellow aluminum posts
- ✔ Load tested over 5,000 lbs.
- ✔ Easy cam & pin locking functions
- ✔ Installation hardware included to mount to the majority of ladder designs and fabrications





SAFETY LANYARDS

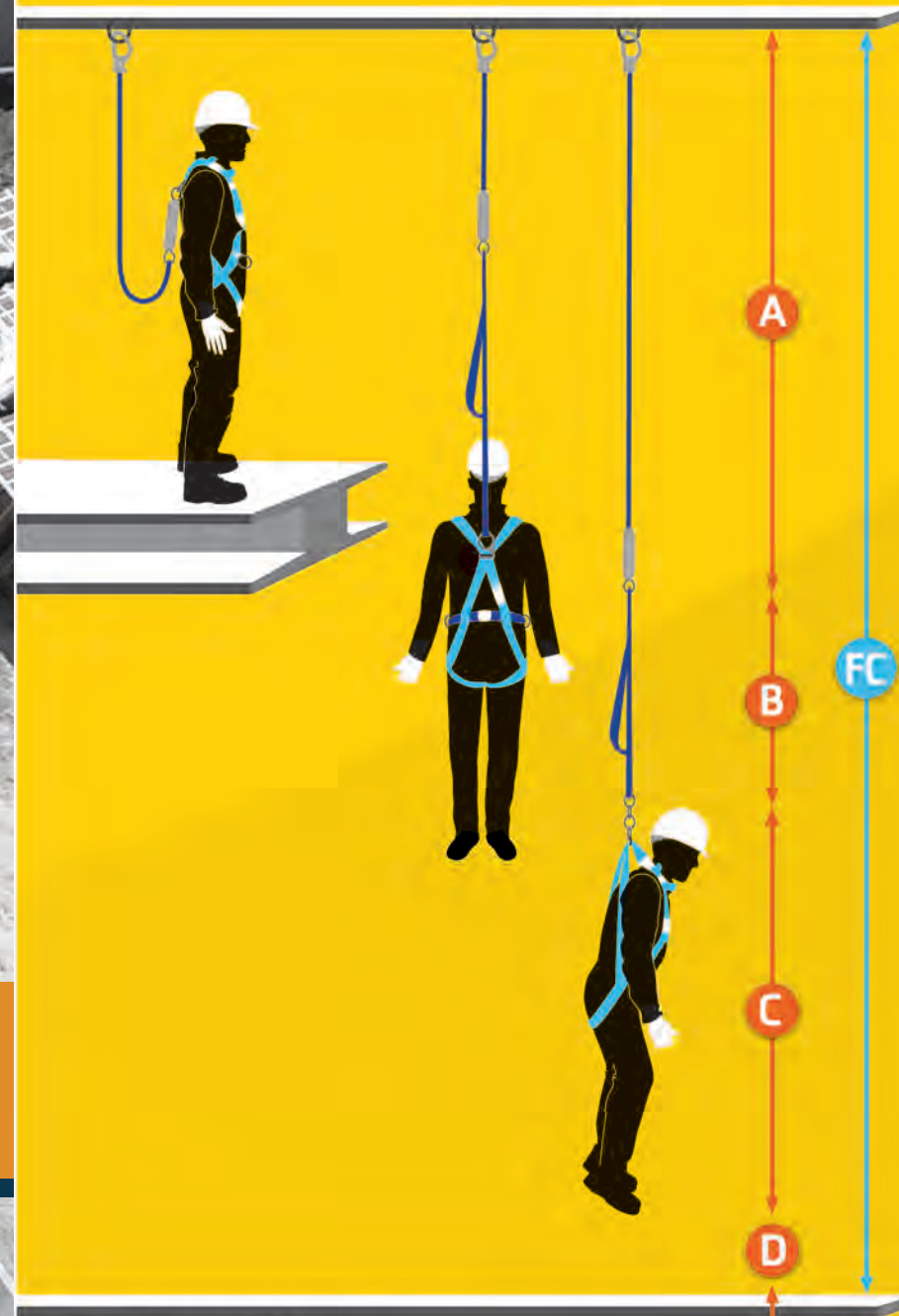


CALCULATE FALL CLEARANCE LIKE A PRO

It is vitally important that fall clearance is properly calculated before working at height. Because, guessing is for rookies.

CALCULATION

When tying off overhead with a shock absorbing lanyard, the required fall clearance distance (FC) is = A + B + C + D.



- A** Lanyard length (Example = 6 feet)
- B** Maximum deceleration distance of the lanyard (3.5 feet is the OSHA requirement)
- C** Height of the suspend worker (Typically = 6', factoring in D-ring slide and harness stretch)
- D** Safety factor (3 feet is the industry standard)
- FC** To be safe the distance between your anchor point and the nearest obstruction must be > FC

Nearest obstruction.

This page illustrates a common method of calculating fall clearance using a shock absorbing lanyard. Refer to the manufacturer's instructions for complete details for calculating fall clearance to ensure maximum safety on the job-site.

Web Pack-Style Shock Absorbing Lanyard

This web lanyard with pack style shock absorber limits fall arrest forces to 900 lbs. when tested to OSHA & ANSI standards.

- 1" synthetic lanyard with shock pack
- Standard length 6', additional lengths available
- Additional snaphook options available



Q 450A
#Z74 locking snaphooks at each end
Pack style shock absorber

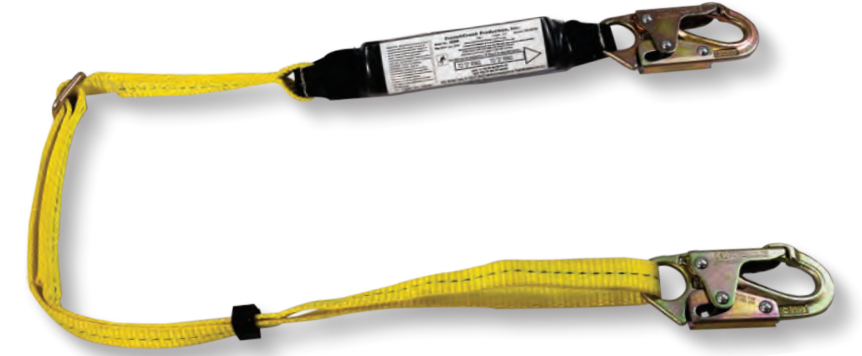


Q 440AZ
Dual-leg 100% tie-off
#Z74 locking snaphooks at each end
Pack style shock absorber

Adjustable Web Pack-Style Shock Absorbing Lanyard

This adjustable web lanyard with pack-style shock absorber limits fall arrest forces to 900 lbs. when tested to OSHA & ANSI standards.

- 1" synthetic webbing with shock pack
- Adjustable lanyards ordered by longest length
- Adjust down to approximately half the length
- Standard length 6', additional lengths available
- Additional snaphook options available



Q 450AB
#Z74 locking snaphooks on each end
Pack style shock absorber
Adjustable length



440AB
Dual-leg 100% tie-off
#Z74 locking snaphooks on each end
Pack style shock absorber
Adjustable length

Lanyard Leg Snaphook Options

	Z74	62A	69	135A	Z136
Snaphook Options					
Gate	3,600 lb., 3/4"	3,600 lb., 2"	3,600 lb., 1 3/4"	3,600 lb., 2 1/2"	3,600 lb., 2 1/2"
Material	Steel	Aluminum	Steel	Aluminum	Steel
Single-Leg Model #	Q 450A	450A-62A	452A	457A-135A	454A
Dual-Leg Model #	Q 440AZ	440A-62A	442A	447A-135A	Q 444A

Lanyard Leg Snaphook Options

	Z74	62A	69	135A	Z136
Snaphook Options					
Gate	3,600 lb., 3/4"	3,600 lb., 2"	3,600 lb., 1 3/4"	3,600 lb., 2 1/2"	3,600 lb., 2 1/2"
Material	Steel	Aluminum	Steel	Aluminum	Steel
Single-Leg Model #	450AB	450AB-62A	452AB	457AB-135A	454AB
Dual-Leg Model #	440AB	440AB-62A	442AB	447AB-135A	444AB

Elastic Pack-Style Shock Absorbing Lanyard

This tubular-elastic web lanyard with shock absorbing pack limits fall arrest forces to 900 lbs. when tested to OSHA and ANSI standards.

- ♥ 1 3/16" synthetic webbing with shock pack
- ♥ Stretches to minimize tripping and snagging hazards
- ♥ Standard length 6', additional lengths available
- ♥ Standard 6' length relaxes to 4.5' when not stretched
- ♥ Additional snaphook options available



Q 450AS
#Z74 locking snaphooks at each end
Pack style shock absorber with elastic stretch



Q 440AS
Dual-leg 100% tie-off
#Z74 locking snaphooks at each end
Pack style shock absorber with elastic stretch

Rope Pack-Style Shock Absorbing Lanyard

This polyblend rope lanyard with pack-style shock absorber limits fall arrest forces to 900 lbs. when tested to OSHA & ANSI standards.

- ♥ 1/2" diameter, three-strand polyblend rope
- ♥ Length of 30" and longer are available
- ♥ Additional snaphook options available



400A
#Z74 locking snaphooks on each end
Pack style shock absorber



430A
Dual-leg 100% tie-off
#Z74 locking snaphooks on each end
Pack style shock absorber

Lanyard Leg Snaphook Options

	Z74	62A	69	135A	Z136
Snaphook Options					
Gate	3,600 lb., 3/4"	3,600 lb., 2"	3,600 lb., 1 3/4"	3,600 lb., 2 1/2"	3,600 lb., 2 1/2"
Material	Steel	Aluminum	Steel	Aluminum	Steel
Single-Leg Model #	Q 450AS	450AS-62A	452AS	457AS-135A	Q 454A
Dual-Leg Model #	Q 440AS	440AS-62A	442AS	447AS-135A	Q 444ASZ

Lanyard Leg Snaphook Options

	Z74	62A	69	135A	Z136
Snaphook Options					
Gate	3,600 lb., 3/4"	3,600 lb., 2"	3,600 lb., 1 3/4"	3,600 lb., 2 1/2"	3,600 lb., 2 1/2"
Material	Steel	Aluminum	Steel	Aluminum	Steel
Single-Leg Model #	400A	400A-62A	402A	407A-135A	404A
Dual-Leg Model #	430A	430A-62A	432A	437A-135A	434A

Wire Rope Pack-Style Shock Absorbing Lanyard

This wire rope lanyard with shock absorbing pack limits fall arrest forces to 900 lbs. when tested to OSHA and ANSI standards.

- ♥ 7/32" vinyl covered wire rope
- ♥ Standard length 6', additional lengths available
- ♥ Additional snaphook options available



470A
#Z74 locking snaphooks at each end
Pack style shock absorber

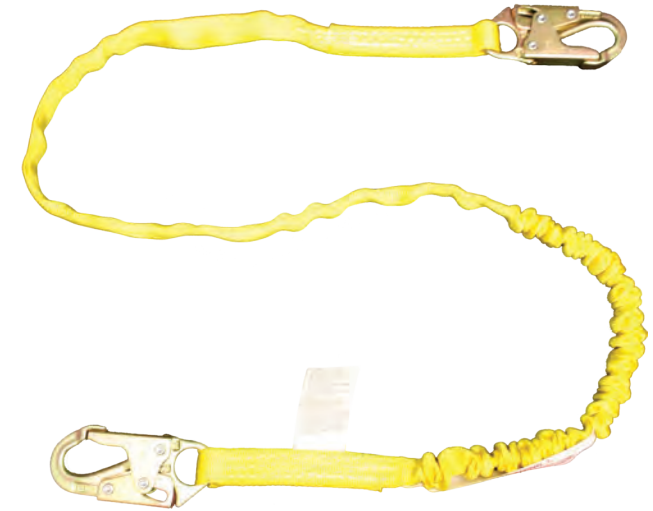


480A
Dual-leg 100% tie-off
#Z74 locking snaphooks at each end
Pack style shock absorber

Tubular Shock Absorbing Lanyard

This synthetic web lanyard with shock-absorbing core limits fall arrest forces to 900 lbs. when tested to OSHA & ANSI standards.

- ♥ 1-3/16" tubular synthetic webbing
- ♥ Standard length 6', additional length available
- ♥ Additional snaphook options available



460A
#Z74 locking snaphooks on each end
Internal shock absorbing core



420A
Dual-leg 100% tie-off
#Z74 locking snaphooks on each end
Internal shock absorbing core

Lanyard Leg Snaphook Options

	Z74	62A	69	135A	Z136
Snaphook Options					
Gate	3,600 lb., 3/4"	3,600 lb., 2"	3,600 lb., 1 3/4"	3,600 lb., 2 1/2"	3,600 lb., 2 1/2"
Material	Steel	Aluminum	Steel	Aluminum	Steel
Single-Leg Model #	470A	470A-62A	472A	477A-135A	474A
Dual-Leg Model #	480A	480A-62A	482A	487A-135A	484A

Lanyard Leg Snaphook Options

	Z74	62A	69	135A	Z136
Snaphook Options					
Gate	3,600 lb., 3/4"	3,600 lb., 2"	3,600 lb., 1 3/4"	3,600 lb., 2 1/2"	3,600 lb., 2 1/2"
Material	Steel	Aluminum	Steel	Aluminum	Steel
Single-Leg Model #	460A	460A-62A	462A	467A-135A	464A
Dual-Leg Model #	420A	420A-62A	422A	427A-135A	424A

Elastic Tubular Shock Absorbing Lanyard

This tubular-elastic web lanyard with internal shock absorbing core limits fall arrest forces to 900 lbs. when tested to OSHA and ANSI standards.

- ♥ 2" tubular synthetic webbing
- ♥ Stretches to minimize tripping and snagging hazards
- ♥ Standard length 6' length only
- ♥ Standard 6' length relaxes to 4.5' when not stretched
- ♥ Additional snaphook options available



460AS
#Z74 locking snaphooks at each end
Internal shock absorbing core



420AS
Dual-leg 100% tie-off
#Z74 locking snaphooks at each end
Internal shock absorbing core

Tie-Back Lanyards Shock Absorbing Lanyard

The tie-back web lanyards with shock absorbing pack can be used as a tie-back anchor and limits fall arrest forces to 900 lbs. when tested to OSHA and ANSI standards.

- ♥ 1 3/8" tubular synthetic webbing
- ♥ Standard length 6', additional lengths available
- ♥ Color coded wear indicator
- ♥ Additional snaphook options available



456AW
#Z74 locking snaphook one end
#63 (3/4" opening) auto locking snaphooks other ends
Pack style shock absorber



456AW-EXT
#Z74 locking snaphook one end
#63 (3/4" opening) auto locking snaphook other end
Pack style shock absorber
D-Ring for additional connections



446AW
Dual leg (100% tie off)
#Z74 locking snaphook one end
#63 (3/4" opening) auto locking snaphook other end
Pack style shock absorber

Lanyard Leg Snaphook Options

	Z74	62A	69	135A	Z136
Snaphook Options					
Gate	3,600 lb., 3/4"	3,600 lb., 2"	3,600 lb., 1 3/4"	3,600 lb., 2 1/2"	3,600 lb., 2 1/2"
Material	Steel	Aluminum	Steel	Aluminum	Steel
Single-Leg Model #	460AS	460AS-62A	462AS	467AS-135A	464AS
Dual-Leg Model #	420AS	420AS-62A	422AS	427AS-135A	424AS

Web Pack-Style Single Leg Shock Absorbing Lanyard

This web lanyard with pack style shock absorber limits fall arrest forces to 900 lbs. when tested to OSHA & ANSI standards.

- ♥ Heavy duty 1 3/4" synthetic webbing
- ♥ Standard length 6', additional lengths available
- ♥ Additional snaphook options available



Q 490A
Heavy duty 1 3/4" synthetic webbing
#Z74 locking snaphooks each end
Pack style shock absorbing



494A
Heavy duty 1 3/4" synthetic webbing
#Z74 locking snaphook at one end
#Z136 rebar snaphook (2 1/2" opening other end)
Pack style shock absorbing



490A-DL
Dual-leg 100% tie-off
Heavy duty 1 3/4" synthetic webbing
#Z74 locking snaphooks at each end
Internal shock absorbing core

**Restraint Lanyards:
Rope, Wire Rope, & Web (Positioning Only)**

Positioning lanyards should be used in conjunction with a back-up fall arrest device.

- ♥ Standard length 6', additional lengths available
- ♥ Additional snaphook options available



2010A
1/2" diameter rope
Adjustable rope ascender
Available with steel, or aluminum hardware



404
6' polyblend rope lanyard
#Z74 locking snaphook at one end
#Z136 rebar snaphook (2 1/2" opening other end)



2020
7/16" diameter rope
Adjustable rope ascender
Available with steel, or aluminum hardware



400
6' polyblend rope lanyard
#Z74 locking snaphooks each end



Q 450B
6' synthetic web lanyard
#Z74 locking snaphooks at each end
Adjustable length

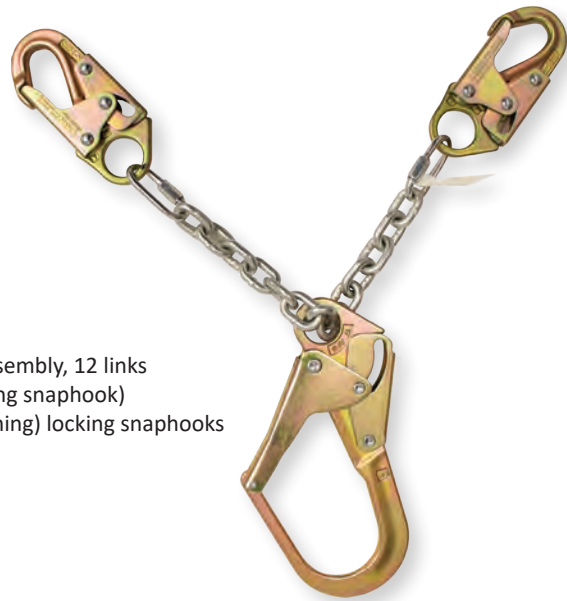
**Positioning & Restraint
Rebar Assemblies**

These positioning and chain assemblies can be used to limit free fall distance to 2' or less. FrenchCreek can customize any assembly to your specific job application. Please inquire.

- ♥ Quickly connect to rebar and structures
- ♥ Chain or webbing
- ♥ Non-swivel or swivel



324-C
Chain positioning assembly, 12 links
#Z136 (2 1/2" opening snaphook)
Two #Z74 (3/4" opening) locking snaphooks



324-CSZ
Chain positioning assembly, 12 links
#Z136 (2 1/2" opening snaphook)
Swivel
Two #Z74 (3/4" opening) locking snaphooks



324-WS
Web positioning assembly
#Z136 (2 1/2" opening) snaphook
Swivel
Two #Z74 (3/4" opening) locking snaphooks



**Lanyard Customization Options:
Customize & Optimize Your Lanyard**

FrenchCreek offers many options when ordering lanyards; from custom lengths to a wide variety of snaphooks. We also offer the following options/accessories to keep you safe, give you peace of mind, and facilitate all of your on-the-job duties!



Choke-Loop 1
Pack-style shock absorber
Looped End



Choke-Loop 2
Internal shock absorber
Looped end



353
Pack-style shock absorber
D-Ring one end
#Z74 locking snaphook other end

EXT
Additional D-Ring added to lanyard
Provides secondary in-line attachment point



346AS-EXT
Pack-style shock absorber
Choke loop
D-Ring extension one end
#63 (3/4" opening) snaphooks each end

When a fall occurs, minutes matter!

It is common knowledge in the fall protection industry that every minute in suspension after a fall is extremely crucial! Suspension trauma is a real condition that can occur when a worker is suspended even for a short amount of time. The U-Res-Q system can relieve 100% of harness tension.

Should even the slightest fall occur, the light-weight pouch releases into rescue mode by automatically ejecting a high strength, 16' synthetic rescue ladder. At that point the worker can climb back onto the work platform, or simply stand on the ladder to relieve pressure, increase blood flow, and ensure enough time for emergency response.

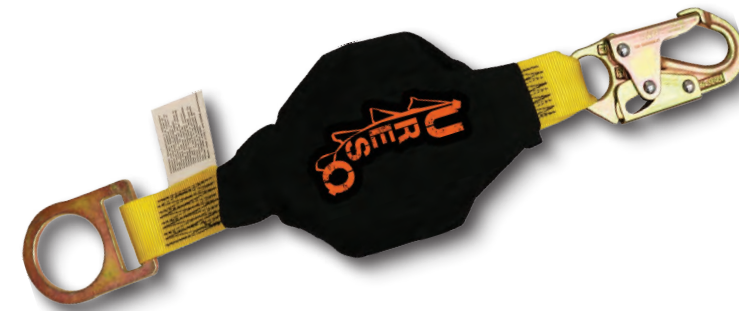
Products shown:
 R490A -16' Self-rescue lanyard
 22850B-TS STRATOS full body harness



U-RES-Q Self Rescue System

The U-RES-Q is available on many FrenchCreek shock absorbing lanyards. A standard shock absorbing lanyard may save you in the event of a fall, but remaining suspended is another problem entirely. The U-RES-Q should be used in conjunction with a full body harness.

- ♥ 16' standard length, other lengths available
- ♥ Helps to reduce the harmful affects of suspension trauma
- ♥ Available option to most lanyards



R-RETRO
Retro fit U-Res-Q to any lanyard
 U-Res-Q pouch
 #Z74 (3/4" opening) locking snaphook
 D-Ring other end
 Use in-line with lanyard & anchor point



R490A
 6' x 1 3/4" shock absorbing lanyard with pack
 #Z74 (3/4" opening) locking snaphooks at each end
 U-Res-Q pouch ejects 16' rescue ladder

R-RESC
U-Res-Q pouch with Velcro bottom
 20' rescue ladder
 #63 (3/4" opening) captive eye carabiner
Manually deployed model, does not auto-eject



Steel Series
Anchorage Connectors

FrenchCreek features a complete line of steel anchorage connectors ranging from removable and reusable to permanently affixed. These anchors are connected to solid steel structures and/or steel I-beams.



1300-WP
Web tie-off adapter
1 3/4" web, 3" wide polyester wear pad
3" D-ring one end, 2" D-ring opposite end

- | | | |
|----------------------------------|-------------------------------|-------------------------------|
| 1324-10WP
10' tie-off adapter | 1324-WP
2' tie-off adapter | 1336-WP
3' tie-off adapter |
| 1348-WP
4' tie-off adapter | 1372-WP
6' tie-off adapter | 1396-WP
8' tie-off adapter |

Available in additional lengths



1300
Web tie-off adapter
1 3/4" web
3" D-ring one end, 2" D-ring opposite end

- | | |
|----------------------------|----------------------------|
| 1324
2' tie-off adapter | 1336
3' tie-off adapter |
| 1348
4' tie-off adapter | 1372
6' tie-off adapter |

Available in additional lengths



1100 HOT WORK
Kevlar Web tie-off adapter
Web chocker style
1 3/4" Kevlar web with D-ring

- | | |
|-----------------------------|-----------------------------|
| 1124K
2' tie-off adapter | 1136K
3' tie-off adapter |
| 1148K
4' tie-off adapter | 1172K
6' tie-off adapter |

Available in additional lengths



1600VC
Cable tie-off adapter (pass-thru style)
5/16" vinyl coated cable
4" O-ring one end, 3" O-ring opposite end

- | | |
|----------------------------------|----------------------------------|
| 1636VC-516
3' tie-off adapter | 1648VC-516
4' tie-off adapter |
| 1672VC-516
6' tie-off adapter | 1696VC-516
8' tie-off adapter |

Available in additional lengths



1100
Web tie-off adapter
1 3/4" web, D-ring one end

- | | |
|----------------------------|----------------------------|
| 1124
2' tie-off adapter | 1136
3' tie-off adapter |
| 1148
4' tie-off adapter | 1172
6' tie-off adapter |

Available in additional lengths



1122HD
Web scaffold/pipe choker
1" 9800 lb. web, chocker style, 22" long
Attaches to anchors up to 3" diameter

Available in additional lengths



1701
Bolt-On anchor plate with D-ring
Removable and reusable
Fasteners not included

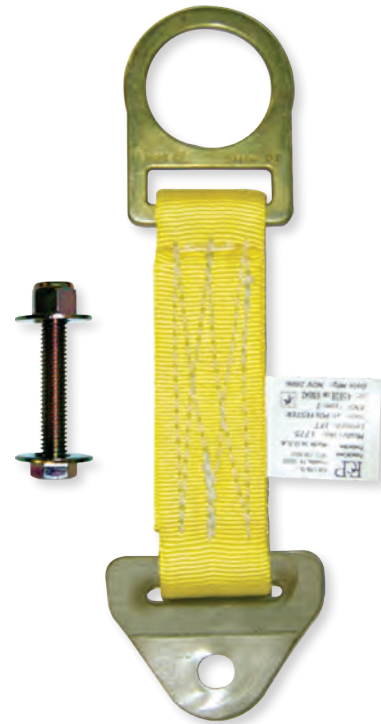
- | |
|---|
| 1701-CSW
Weld-on carbon steel anchor plate w D-ring |
| 1701-SSW
Weld-on stainless steel anchor plate w D-ring |



1550
D-bolt anchor (designed for anchoring into steel structure)
Designed to prevent roll-out of snaphooks
Grade 8, 1/2" bolt, washer, and lock nut
1 3/4" maximum steel thickness



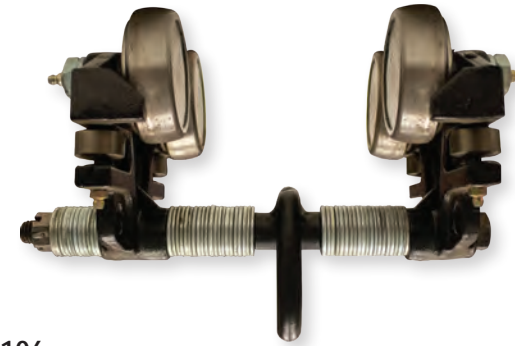
1760-12S
12" Anchor Post (Bolts to steel surfaces)
 Includes four 1/2"-13X 3" length grade 5 bolts, nuts, & washers
 Accommodates up to 1 1/2" steel thickness



1775-S3
Steel anchor plate (Bolts to steel surfaces)
 1/4" stainless steel anchor plate with, grade 8 bolt, nut, & washer
 1 3/4" webbing with D-ring
 1 3/4" maximum steel thickness

I-Beam
Anchorage connectors

Light, smooth, and easy to use, FrenchCreek's I-beam anchors are designed to connect to a steel I-beam for fall protection. The clamps attach without tools to I-beams either overhead or underfoot.



106
Sliding beam trolley
 Adjustable flange width from 3"-8"
 Maximum flange thickness 1", minimum radius bend 2'



106 in use



1700
Adjustable sliding beam anchor
 Fits flanges 3 1/2" to 12" wide, up to 1 1/4" thick
 Usable on top or bottom of I-beam
 Center D-Ring for smoother slide



1702
Adjustable sliding beam anchor
 Fits flanges 3 1/2" to 14" wide, up to 1 1/4" thick
 Usable on top or bottom of I-beam
 Floating D-Ring



1769
Steel toggle anchor (Installs into pre-drilled hole)
 Fits 3/4"- 1 1/4" pre-drilled holes
 1" maximum steel thickness



1769 Girder Anchor in use



Photo Credit: SEAA/Trivent Safety Consulting

**Concrete
Anchorage Connectors**

FrenchCreek's pour-in place concrete anchor straps are designed to provide temporary anchorage in concrete. The 1 3/4" wide abrasion resistant webbing and forged steel D-Ring are rated at 5,000 lbs.



1124C
2' concrete anchor strap
D-Ring for connection
Additional lengths available



1760-12-1525
Permanent structure post anchor
Fixed welded D-Ring



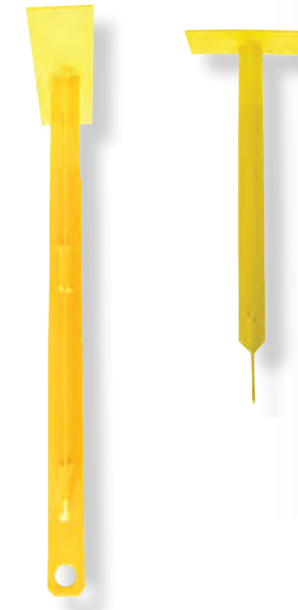
1770
3/4" portable/reusable concrete hole anchor
Rated to 5,000 lbs
Use for vertical and overhead concrete



1772
3/4" portable/reusable concrete hole anchor
Rated to 5,000 lbs
Use for vertical and overhead concrete
Swiveling action prevents tangles

**TC-100
Overhead concrete anchor**

This concrete anchor is placed through a hole in the concrete floor, providing workers on a lower level an overhead anchor point.



TC-100
Overhead concrete anchor

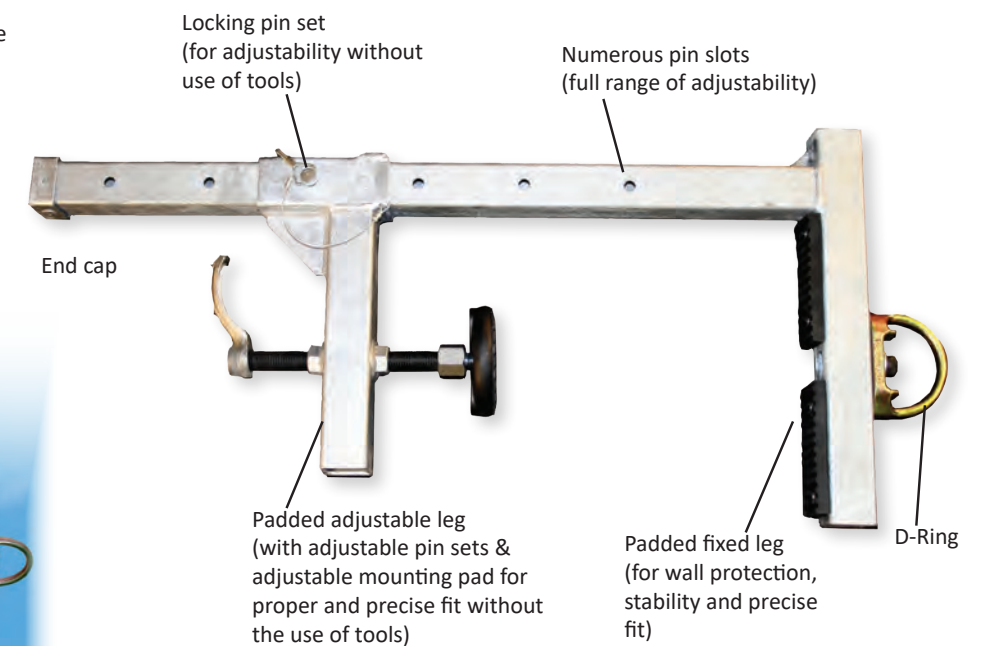
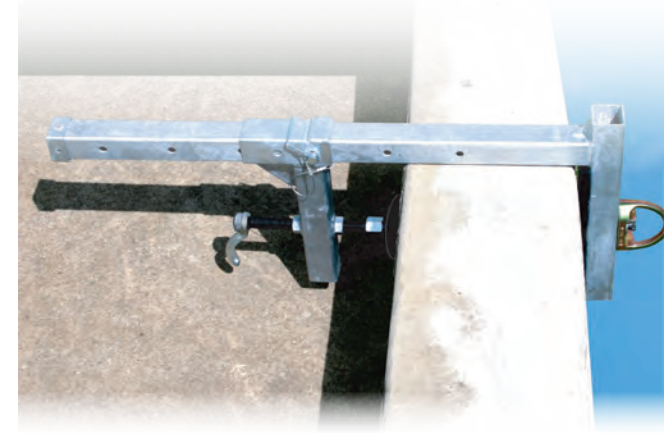


**1789
Parapet Wall Anchor**

The FrenchCreek parapet wall anchor is designed to provide a single worker with a portable, temporary anchorage on parapet walls up to 20" thick.

- ♥ Perfect for window washing, construction, and rescue
- ♥ One padded fixed leg and one padded adjustable leg
- ♥ Multiple pin sets and adjustable mounting pad
- ♥ Sized and secured without the use of tools

Q1789
Adjustable parapet anchor
Up to 20" width



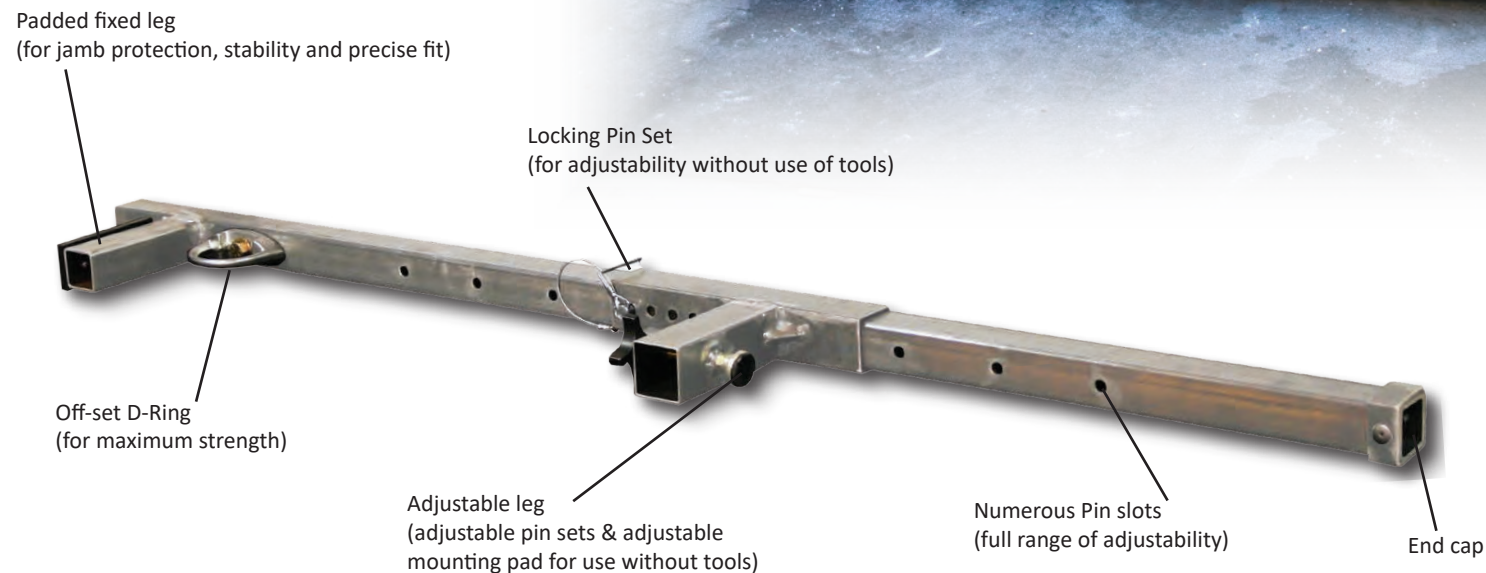
1785
Door Jamb Anchor

FrenchCreek's door jamb anchor is designed to be used as a temporary anchor that mounts in a door or window opening. Applications include construction, roof tops with door entrances, elevator shafts, wall openings, emergency/rescue situations and more.

- ✔ Fits 24"-48" wide door or window openings
- ✔ One fixed leg and one adjustable leg
- ✔ Unit can be sized and secured without the use of tools

Q1785
Adjustable door jamb anchor
24"-43" wide
Heavy duty steel tubing

Shown:
1785 adjustable door jamb anchor
XR-30LEG Self-Retracting Lifeline
22850B STRATOS Full Body harness



1790
Rail Anchor

The rail anchor is designed to meet the needs of those workers that are working on a railway line that requires a compliant means to anchor personal fall arrest systems.

- ✔ Quickly affixes to a 55-100 lb. rail
- ✔ Allows some horizontal movement
- ✔ Working capacity 310 lbs. with tools and equipment
- ✔ Powder coated steel
- ✔ *Unit is not designed to pass rail splice plates*



1790
Steel rail anchor
Carabiner & lanyard included (450A-3542)

RT0-12
Remote Tie-Off/First Man Up Pole

With its lightweight and compact design the RT0-12 is a crucial tool for ensuring worker safety in applications without a proper fall arrest system in place.

- ✔ Pole extends 13' allowing average user to reach elevated tie-off points 17' high
- ✔ Operation handle controls snaphook opening
- ✔ Allows for connection to SRL and rope lifelines
- ✔ Includes carry bag

QRT0-12
Remote Tie-Off Pole
Complete pole assembly
Carry bag



Shown:
RG3-13-0Z Renegade SRL
Sold Separately

**Multi-Use
Anchorage Connectors**

FrenchCreek's multi-use anchorage devices can be used in a variety of applications, however some limitations may apply. FrenchCreek experts are available for inquiries and consultations and can make recommendations concerning the proper anchorage connection for your job.

1503
5' stainless steel wire hook anchor
5,000 lb anchor
Connects to various anchors



1503

1824
24" anchor strap
#Z136 (2 1/2" gate opening) rebar snap
Connecting D-Ring on opposite end

4157
5' Boom strap anchor with ratchet buckle design
1 3/4" polyester webbing
Plated hardware



4157



1824

**RK Deluxe Roofer's Kit
Complete Roofer's Kit System**

FrenchCreek roofing kits come ready to install. A variety of roof anchors and multiple length of rope are available to fit many residential and industrial applications.

- Kit includes:
- ♥ MRA-R double-plate roof anchor (see page 110)
 - ♥ 410 5/8" lifeline (page 106) with self-locking snap on each end
 - ♥ 1202AN-3 removable, trailing rope grab with 3' shock-absorbing lanyard (page 108)
 - ♥ 631 full body harness (page 30)
 - ♥ Carry bag, and instruction manual

RK-25 **RK-50**
25' deluxe roofer's kit 50' deluxe roofer's kit

RK-100
100' deluxe roofer's kit



RK-25

**RKB Deluxe Roofer's Kit
Complete Roofer's Kit System**

FrenchCreek Roofing Kits come ready to install. A variety of roof anchors and multiple lengths of kits are available to fit many residential and industrial applications.

- Kit includes:
- ♥ *Your choice of roof anchor see below*
 - ♥ 411 5/8" lifeline (page 106) with self-locking snap on one end, thimble opposite end
 - ♥ 411-50MG manual rope grab with 3' shock-absorbing lanyard (page 109)
 - ♥ 631 full body harness (page 30)
 - ♥ Carry bucket, and instruction manual

RKB-1715-25



RKB Kit Anchor Selections				
Anchor Options				
25' Kit	RKB-1720-25	RKB-MRA-25	RKB-1715-25	RKB-1725-25
50' Kit	RKB-1720-50	RKB-MRA-50	📌 RKB-1715-50	RKB-1725-50

Rope Lifelines

Polyblend Synthetic Rope

FrenchCreek lifelines are constructed out of a 5/8" 3-strand polyblend synthetic rope, designed for excellent wear, strength, and limited stretch.

- 5/8" 3-strand polyblend synthetic rope
- Designed for durability, strength and limited stretch
- Available in 25' increments, **custom lengths available upon request**



411
5/8" rope lifeline
#Z74 (3/4" opening) locking snaphook on one end
Thimble opposite end

- 411-25** 25' rope lifeline
- 411-50** 50' rope lifeline

- 411-100** 100' rope lifeline



121-2T
5/8" rope lifeline
(2) Thimbles on each end

- 121-2T-25** 25' rope lifeline
- 121-2T-50** 50' rope lifeline

- 121-2T-100** 100' rope lifeline



410
5/8" rope lifeline
(2) #Z74 (3/4" opening) locking snaphooks

- 410-25** 25' rope lifeline
- 410-50** 50' rope lifeline

- 410-100** 100' rope lifeline



121-1S
5/8" rope lifeline
#Z74 (3/4" opening) locking snaphook on one end
"Whipped" opposite end

- 121-1S-25** 25' rope lifeline
- 121-1S-50** 50' rope lifeline

- 121-1S-100** 100' rope lifeline



121-1T
5/8" rope lifeline
Thimble on one end
"Whipped" opposite end

- 121-1T-25** 25' rope lifeline
- 121-1T-50** 50' rope lifeline

- 121-1T-100** 100' rope lifeline

Specialty Rope & Accessories

Order all of your rope from FrenchCreek! We can supply you with exactly what you need for all on-the-job applications! Don't see exactly what you're looking for? Please inquire.

- 116-38** 3/8" Kernmantle® rope
- 116-716** 7/16" Kernmantle® rope

- 116-12** 1/2" Kernmantle® rope
- 120** 1/2" 3-strand polyblend synthetic rope

- 121-N** 5/8" 12-strand polyester rope
- 121** 5/8" 3-strand polyblend synthetic rope

- 122** 3/8" 3-strand polypropylene rope
- 121-FN** 5/8" 3-strand filament nylon rope

- RL-27T12** 3/16" 12 strand Technora® rope



121RP
20" long 4 ply 600 denier polyester rope protector
Velcro & tie strap closure
Vertical or horizontal use



121CW
5 lb. flexible counterweight bag
Keeps Lifeline tensioned, prevents excess slack
Facilitates performance of a trailing rope grab



1710
Aluminum rope termination plate
Fits 5/8" rope Lifelines
No need for knots, splicing, or crimping

Rope Grabs

Rope & Wire Rope Grabs

FrenchCreek offers a comprehensive line of durable, user friendly rope grabs & wire rope grabs. (Lifelines can be purchased separately, and are shown on page 106) These grabs are available in two different styles:

Manual Rope Grab: Worker manually slides the device to the desired position on the rope and releases it, locking it on the lifeline and providing the worker with fall protection. Great for sloped roofs because they lock into place once positioned.

Trailing Rope Grab: Little or no positioning needed. Trailing grabs move up and down the lifeline with the worker, locking on the rope with any downward pressure.

Q 1201N

Stainless steel trailing rope grab
Fits 5/8" strand synthetic rope
Attachable, detachable anywhere on lifeline
Safety Lock



1201N

Q 1202AN-3

1201N rope grab
3' shock absorbing lanyard
#Z74 (3/4" opening) locking snaphook



1201

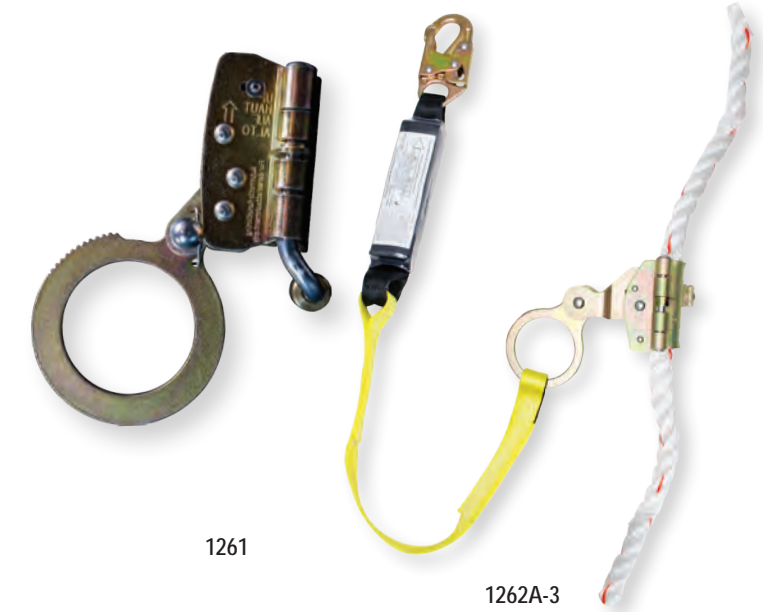
1202A-3

Q 1201

Stainless steel trailing rope grab
Fits 5/8" and 3/4" 3-strand synthetic rope
Attachable, detachable anywhere on lifeline

1202A-3

1201 rope grab
3' shock absorbing lanyard
#Z74 (3/4" opening) locking snaphook



1261

1262A-3

Q 1261

Plated alloy steel trailing rope grab
Fits 5/8" strand synthetic rope
Attachable, detachable anywhere on lifeline

1262A-3

1261 rope grab
3' shock absorbing lanyard
#Z74 (3/4" opening) locking snaphook



Q 411-50MG

50' X 5/8" polyblend rope
5/8" manual rope grab permanently installed on rope
3' shock absorbing lanyard
#Z74 (3/4" opening) locking snaphook



Q 1401-38

Stainless steel trailing rope grab
Fits 5/16" and 3/8" wire rope
Attachable, detachable anywhere on lifeline

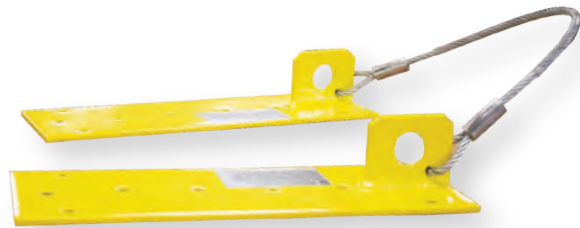


**Roofing Anchors
& Anchorage Systems**

FrenchCreek provides a wide variety of roof anchors for maintenance work, repair and new construction.



Q MRA-R1
Removable/reusable roof anchor
Single plate with screws



MRA-R
Removable/reusable roof anchor
Double plate with screws



Q 1715
Removable/reusable roof anchor
D-Ring attachment with nails



Q 1720
Disposable roof anchor
Bracket for use with carabiner, nails



1725
Disposable roof anchor
Single D-Ring with nails



Q 1730
Permanent roof anchor
Single D-Ring with nails



Q 1740
Permanent roof anchor
Double D-Ring with nails



1760-12-1525
Permanent structure post
Fixed welded D-Ring

**Rooftract
Roof Retractable System**

FrenchCreek's Rooftract system is usable on any roof pitch. This system features FrenchCreek's RL series Self-Retracting Lifeline that rotates 360° for maximum safety and maneuverability.

- ▼ Works on any roof pitch
- ▼ Choose from RL25, RL30, or RL50 series retractables (page 48)
- ▼ All mounting hardware included



1791 anchor

1791
Roof mount assembly available for steel, metal, or wood roofs
Comes as anchor only, retractable sold separately
360° for maximum maneuverability



1791 anchor with
RL50GZ SRL installed



1792 anchor

1792
Roof mount assembly for standing seam metal roofs
Comes as anchor only, retractable sold separately
360° for maximum maneuverability
Mounting hardware included



1792 anchor with
RL50GZ SRL installed

TEMPORARY HORIZONTAL LIFELINE TRAVERSE



Also shown:
STRATOS full body harness
490A shock absorbing lanyard

Meets or exceeds OSHA & ANSI requirements

Steel I-Beam Base System

The Traverse Series temporary horizontal lifeline offers ideal protection when an overhead anchorage does not exist.

Extremely lightweight and portable, this system incorporates a modular multi-base design that accommodates a wide range of steel beams.

- ♥ Lengths available to 10'-240'
- ♥ Fits 6"-12" width, up to 2 1/4" flange (options available for beams up to 36")
- ♥ Pass-thru adapters allow continuous tie-off and mobility
- ♥ Capacity: 2 users per span, no more than 6 per total system
- ♥ 42" working height (above beam)
- ♥ Weight: 60' system approximately 99.5 lbs

See page 114 for concrete applications

Ordering Options

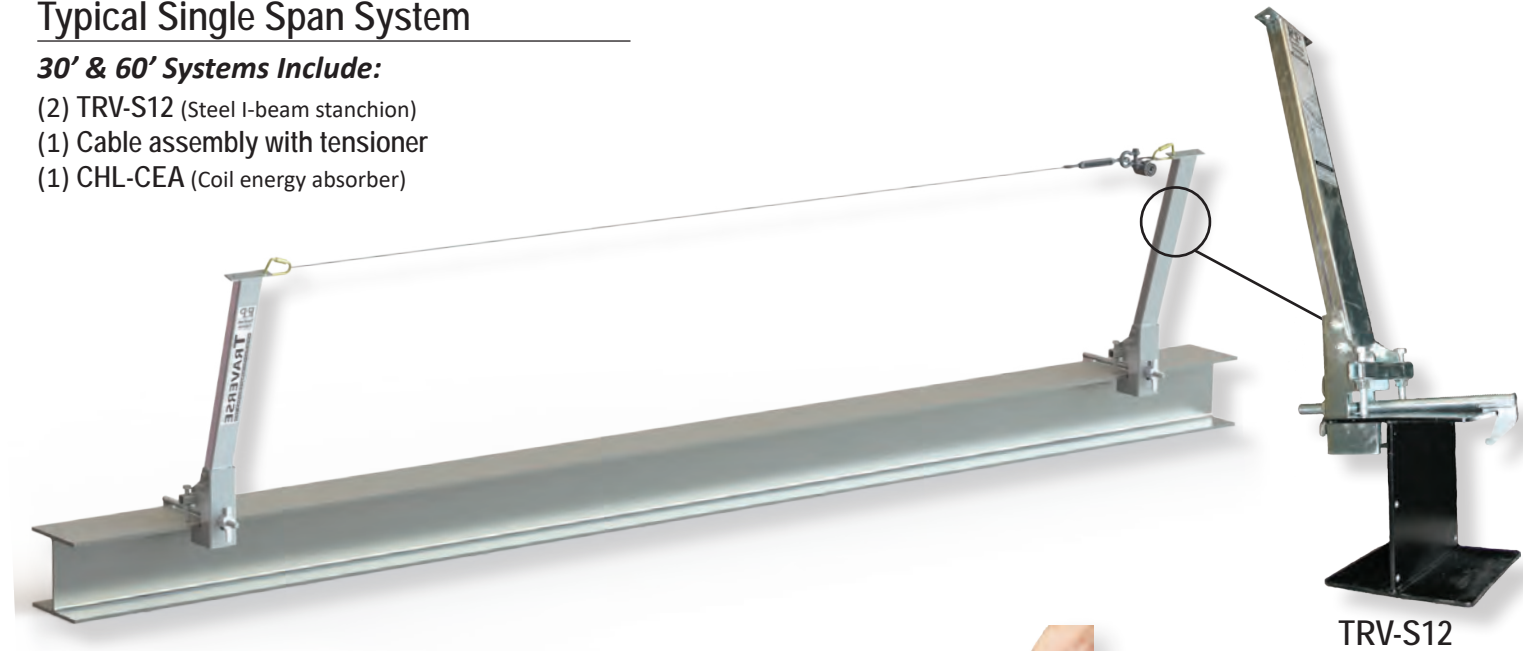
TRV30S12 30' system, (6"-12" I-beam base)	TRV120S12 120' system, (6"-12" I-beam base)
TRV60S12 60' system, (6"-12" I-beam base)	TRV240S12 240' system, (6"-12" I-beam base)

System Components

TRV-S12 (6"-12" Steel I-beam stanchion)	TRV-S24 (18"-24" Steel I-beam stanchion)
TRV-S36 (24"-36" Steel I-beam stanchion)	TRV-PASS Traverse system pass-thru bracket
CHL-CEA Coil energy absorber with shackles	

Typical Single Span System

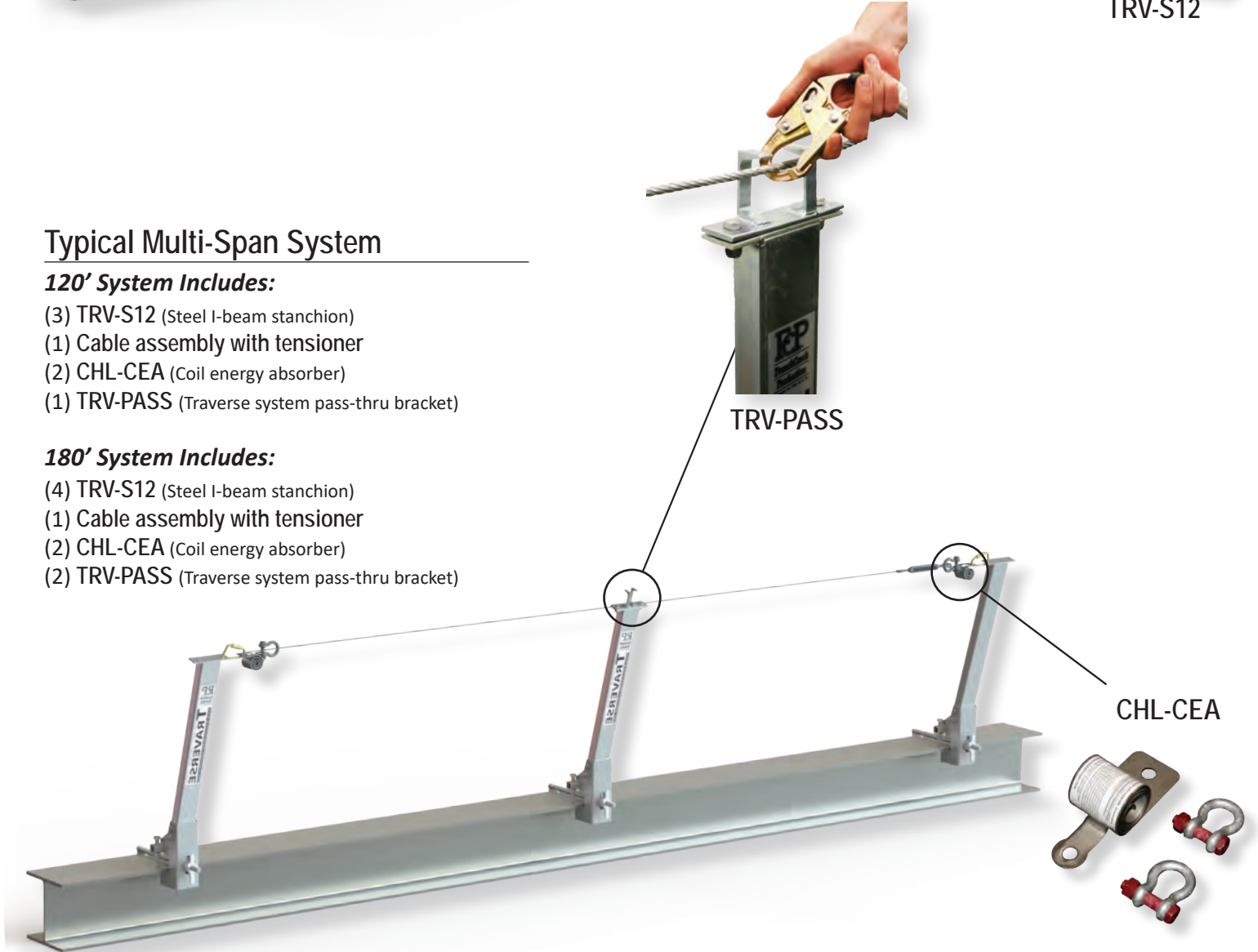
- 30' & 60' Systems Include:**
- (2) TRV-S12 (Steel I-beam stanchion)
 - (1) Cable assembly with tensioner
 - (1) CHL-CEA (Coil energy absorber)



TRV-S12

Typical Multi-Span System

- 120' System Includes:**
- (3) TRV-S12 (Steel I-beam stanchion)
 - (1) Cable assembly with tensioner
 - (2) CHL-CEA (Coil energy absorber)
 - (1) TRV-PASS (Traverse system pass-thru bracket)
- 180' System Includes:**
- (4) TRV-S12 (Steel I-beam stanchion)
 - (1) Cable assembly with tensioner
 - (2) CHL-CEA (Coil energy absorber)
 - (2) TRV-PASS (Traverse system pass-thru bracket)



TRV-PASS

CHL-CEA

TEMPORARY HORIZONTAL LIFELINE TRAVERSE



Also shown:
STRATOS full body harness
ROGUE sub-compact SRL

Meets or exceeds OSHA & ANSI requirements

Concrete Base System

The Traverse Series temporary horizontal lifeline offers ideal protection when an overhead anchorage does not exist. Standard system works on pre-stressed concrete beams that are a minimum of 24" wide.

- ♥ Lengths available to 10'-240'
- ♥ Fits 1/2" - 1 1/8" diameter rebar (#4-#9) and 6"-12 1/2" center to center
- ♥ Pass-thru adapters allow continuous tie-off and mobility
- ♥ Capacity: 2 users per span, no more than 6 per total system
- ♥ 40" working height (above beam)
- ♥ Weight: 60' system approximately 99.5 lbs.

See page 112 for steel applications

Ordering Options

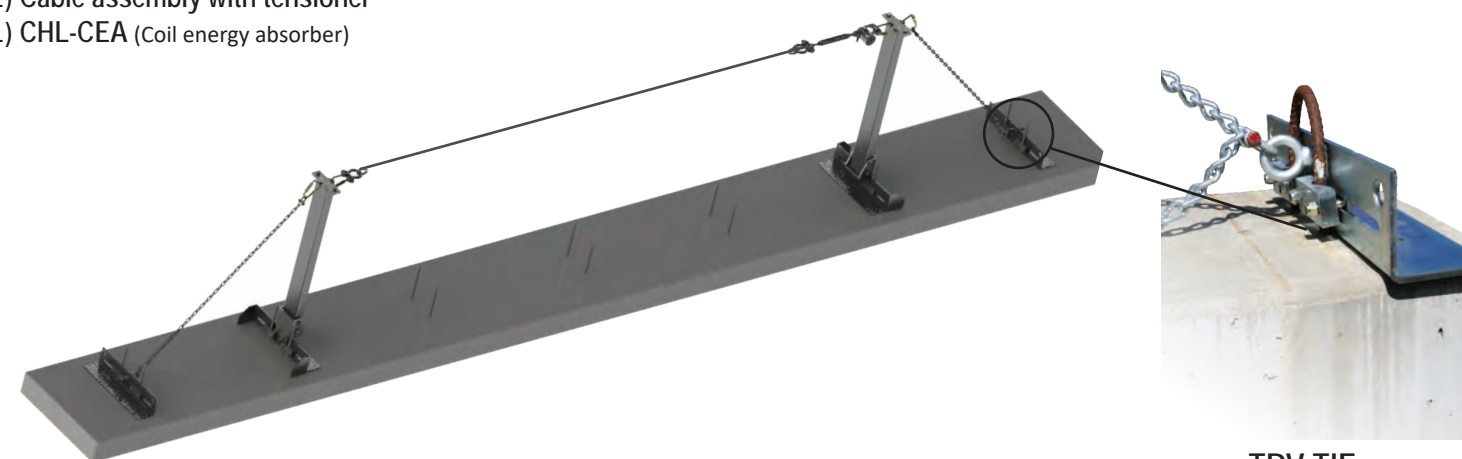
TRV30C 30' system, (concrete base)	TRV120C 120' system, (concrete base)
TRV60C 60' system, (concrete base)	TRV240C 240' system, (concrete base)

System Components

TRV-C Concrete end stanchion	TRV-TIE Tie-back for concrete system
CHL-CEA Coil energy absorber	TRV-C-PASS Intermediate stanchion & pass-thru
TRV-C-PASSTOP Concrete system pass-thru bracket	

Typical Single Span System

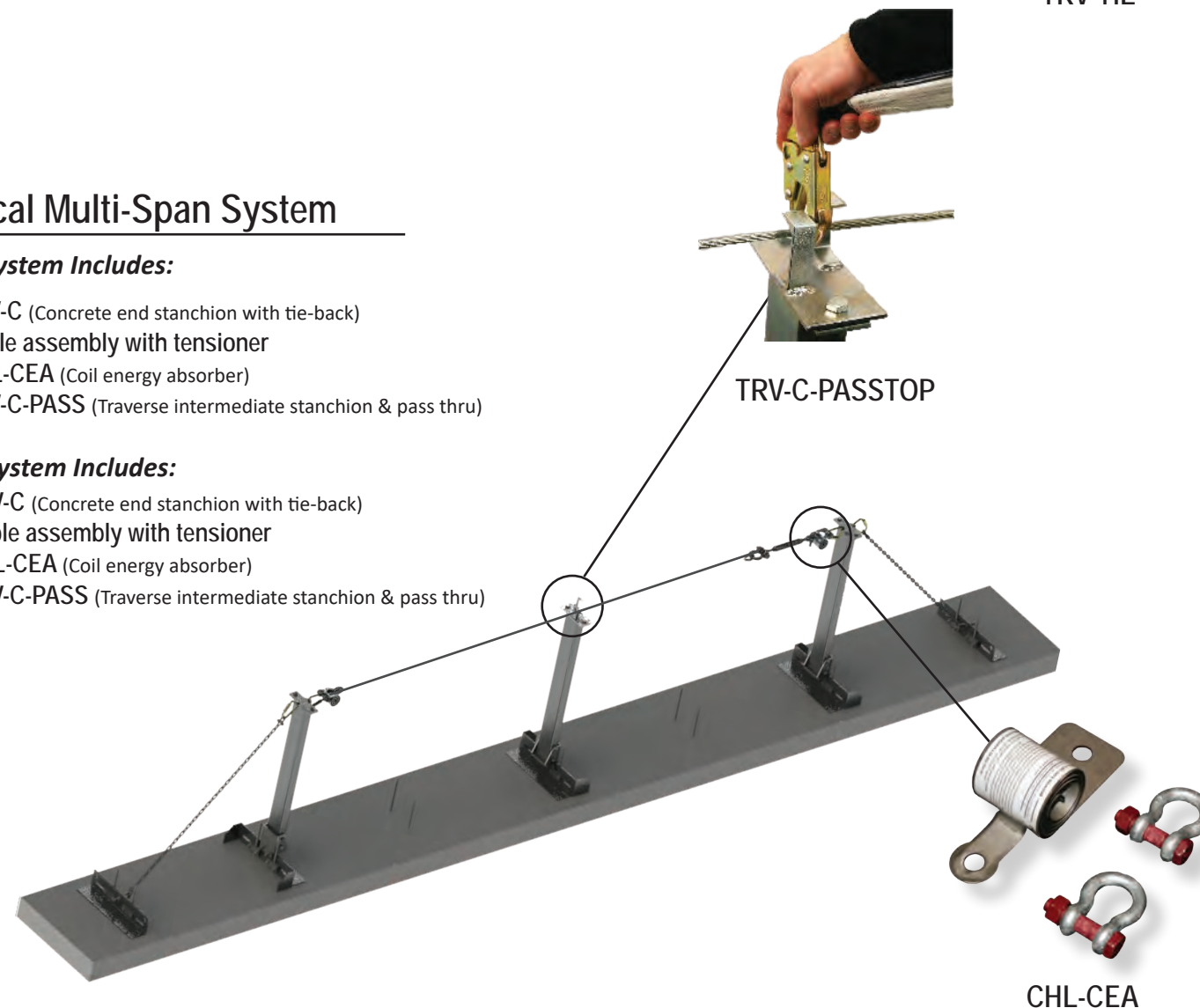
- 30' & 60' Systems Include:**
- (2) TRV-C (Concrete end stanchion with tie-back)
 - (1) Cable assembly with tensioner
 - (1) CHL-CEA (Coil energy absorber)



TRV-TIE

Typical Multi-Span System

- 120' System Includes:**
- (2) TRV-C (Concrete end stanchion with tie-back)
 - (1) Cable assembly with tensioner
 - (2) CHL-CEA (Coil energy absorber)
 - (1) TRV-C-PASS (Traverse intermediate stanchion & pass thru)
- 180' System Includes:**
- (2) TRV-C (Concrete end stanchion with tie-back)
 - (1) Cable assembly with tensioner
 - (2) CHL-CEA (Coil energy absorber)
 - (2) TRV-C-PASS (Traverse intermediate stanchion & pass thru)



TRV-C-PASSTOP

CHL-CEA



Miniverse
Horizontal Lifeline System

The Miniverse HLL system provides continuous fall protection and can be set up to any cable length with a maximum of 60' between posts. The stout yet discrete post design allows for permanent installation without the loss of building aesthetics.

- ♥ 12" or 18" working height (measured above working surface)
- ♥ Typical 60' system weighs approx. 94 lbs.
- ♥ Capacity: 2 users per span, no more than 6 per total system
- ♥ 310 lbs. total each user including tools & equipment
- ♥ Assembled in lengths from 10'-240' (call for price and lead time)

Ordering Options

TRV-G30

30' system, 1 CHL-CEA and connecting fasteners

TRV-G60

60' system, 1 CHL-CEA and connecting fasteners

TRV-G80

80' system, 2 CHL-CEA and connecting fasteners

TRV-G120

120' system, 2 CHL-CEA and connecting fasteners



1760-12-1525
12" anchor end post



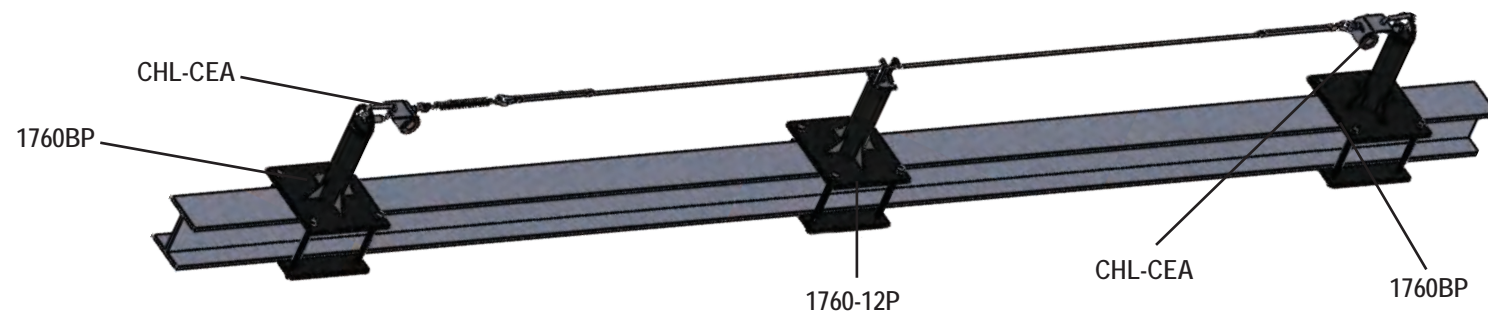
1760-12P
12" anchor end post with pass-thru



1760BP
Backer plate for 1760 series post



CHL-CEA
Steel energy absorber with shackles



Horizontal Lifeline
Wire Rope Horizontal System

The CHL system is a highly portable lifeline and is ideal in situations such as welding, where sparks or harsh environment are present. The wire rope can be set in place for extended periods of time, or easily transported to a new location. Standard system includes:

- ♥ (1) Wire rope Lifeline assembly with tensioner
- ♥ (2) Sliding tie-off rings
- ♥ (1) Stainless steel coil energy absorber
- ♥ (2) 10' tie-off anchorage straps

CHL-30

Adjustable system to 30' in length
2 workers per span

CHL-60

Adjustable system to 60' in length
2 workers per span



RHLD Horizontal Lifeline
Synthetic Rope Horizontal System

Made out of high strength Norex® rope, the RHLD system boasts an extremely lightweight design which is highly portable and easy to install. Providing safety and reliability, this system is ideal for maintenance, bridgework, construction and general industry applications.

- ♥ (1) Norex® rope Lifeline assembly with tensioner
- ♥ (2) Sliding tie-off rings
- ♥ (1) Synthetic energy absorber
- ♥ (2) 6' tie-off anchorage straps

RHLD-30

Adjustable system to 30' in length
2 workers per span

RHLD-60

Adjustable system to 60' in length
2 workers per span





GR200
Portable Guardrail System

Setting up a portable guardrail system is a fundamental of fall prevention when working on open floors and roof tops. FrenchCreek's portable guardrail system provides a secure perimeter and is able to be installed on both a parapet, or on the edge of a concrete slab.

- ✔ Fits 4"-24" parapets and C-slabs
- ✔ Dual-use versatility for slab edge and parapet installations
- ✔ Secures with adjustable clamp lever
- ✔ Plated alloy steel provides corrosion and damage resistance
- ✔ Lightweight, one person setup & installation



PacMule Firefighter Belt
Designed for Firefighters Only!

The lightweight series of fireman's belts integrates 1 3/4" webbing rated at 6,000 lbs. Specially designed by firefighters, for firefighters.

- ✔ 4" Coolmax-Lined comfort pad with 3M Scotchlite reflective material
- ✔ Patented drop-down tool D-Rings with snap closures
- ✔ Forged front bailout ring, and choice of quick release front snap
- ✔ Exceeds NFPA standards for escape belts
- ✔ Sizes available: S,M,L,XL,XXL (use NFPA size chart)

QN4107FB
Adjustable quick-clip escape belt
2" forged front bailout D-Ring
(2) 2" drop-down tool D-Rings

QN4105FB
Adjustable quick-clip escape belt
2" forged front bailout D-Ring
(2) 3" drop-down tool D-Rings

QL4107FB-18
Adjustable quick-clip escape belt
1 3/4" forged front bailout D-Ring
18" tie-off lanyard with 1 7/8" carabiner
(2) 3" drop-down tool D-Rings

QL4109FB-18
Adjustable quick-clip escape belt
1 3/4" forged front bailout D-Ring
18" tie-off lanyard with 1 7/8" carabiner
(1) 3" drop-down tool D-Ring
(1) 2" drop-down tool D-Ring

GL4107FB-18
Adjustable tongue & grommet escape belt
1 3/4" forged front bailout D-Ring
18" tie-off lanyard with 1 7/8" carabiner
(2) 3" drop-down tool D-Rings

GL4109FB-18
Adjustable tongue & grommet escape belt
1 3/4" forged front bailout D-Ring
18" tie-off lanyard with 1 7/8" carabiner
(1) 3" drop-down tool D-Ring
(1) 2" drop-down tool D-Ring



QN4107FB



QL4107FB-18



GL 4107FB-18

NFPA Sizing Chart					
Size	S	M	L	XL	XXL
Waist	20-28	28-34	34-40	42-50	52-60
Color	Green	Black	Blue	Yellow	Red



fcsafety.com

©2025 FrenchCreek Production Inc.
100 N. 13th St.
Franklin, PA 16323

Please call to locate your nearest distributor

877.228.9327

814.437.1808

Tools shown not included.

Product descriptions and specifications
herein may change without notice.

CAT2026

